



TENULINE® ATTENUATOR
MODEL 8329-300

OPERATION MANUAL

©COPYRIGHT 2017 BY BIRD TECHNOLOGIES INC.
INSTRUCTION BOOK PART NUMBER 920-8329-300 REV. B

TENULINE IS A REGISTERED TRADEMARK OF
BIRD ELECTRONIC CORPORATION

Safety Precautions

The following are general safety precautions that are not necessarily related to any specific part or procedure, and do not necessarily appear elsewhere in this publication. These precautions must be thoroughly understood and apply to all phases of operation and maintenance.

WARNING

Keep Away From Live Circuits

Operating Personnel must at all times observe general safety precautions. Do not replace components or make adjustments to the inside of the test equipment with the high voltage supply turned on. To avoid casualties, always remove power.

WARNING

Shock Hazard

Do not attempt to remove the RF transmission line while RF power is present.

WARNING

Do Not Service Or Adjust Alone

Under no circumstances should any person reach into an enclosure for the purpose of service or adjustment of equipment except in the presence of someone who is capable of rendering aid.

WARNING

Safety Earth Ground

An uninterruptible earth safety ground must be supplied from the main power source to test instruments. Grounding one conductor of a two conductor power cable is not sufficient protection. Serious injury or death can occur if this grounding is not properly supplied.

WARNING

Resuscitation

Personnel working with or near high voltages should be familiar with modern methods of resuscitation.

WARNING

Remove Power

Observe general safety precautions. Do not open the instrument with the power on.

Safety Symbols

WARNING

Warning notes call attention to a procedure, which if not correctly performed, could result in personal injury.

CAUTION

Caution notes call attention to a procedure, which if not correctly performed, could result in damage to the instrument.

Note: *Calls attention to supplemental information.*

Warning Statements

The following safety warnings appear in the text where there is danger to operating and maintenance personnel, and are repeated here for emphasis.

WARNING

The vent plug must be used at all times when the unit is in operation or cooling.
Always check to ensure vent plug is installed prior to operation.
Failure to do this could result in damage to the equipment and endanger the operator's safety.

See page 5 and 8.

WARNING

Do not attempt to operate the equipment without the interlock attached.

See page 6.

WARNING

Never attempt to disconnect the equipment from the transmission line while RF power is being applied. Leaking RF energy is a potential health hazard

See page 7, 8, and 10.

WARNING

Using this attenuator in the upper end of its power dissipation range will cause the housing to become hot! Care should be exercised in touching it.

See page 8.

Caution Statements

The following equipment cautions appear in the text and are repeated here for emphasis.

CAUTION

This equipment is designed for operation in a horizontal position only, with mounting brackets down. Do not operate in any other manner.

See page 4 and 8.

CAUTION

RF power rating must always be cut in half when the blower assembly is installed but is not running. Under this condition a 2 kW attenuator will be limited to approximately 1 kW.

See page 8.

Safety Statements

USAGE

ANY USE OF THIS INSTRUMENT IN A MANNER NOT SPECIFIED BY THE MANUFACTURER MAY IMPAIR THE INSTRUMENT'S SAFETY PROTECTION.

USO

EL USO DE ESTE INSTRUMENTO DE MANERA NO ESPECIFICADA POR EL FABRICANTE, PUEDE ANULAR LA PROTECCIÓN DE SEGURIDAD DEL INSTRUMENTO.

BENUTZUNG

WIRD DAS GERÄT AUF ANDERE WEISE VERWENDET ALS VOM HERSTELLER BESCHRIEBEN, KANN DIE GERÄTESICHERHEIT BEEINTRÄCHTIGT WERDEN.

UTILISATION

TOUTE UTILISATION DE CET INSTRUMENT QUI N'EST PAS EXPLICITEMENT PRÉVUE PAR LE FABRICANT PEUT ENDOMMAGER LE DISPOSITIF DE PROTECTION DE L'INSTRUMENT.

IMPIEGO

QUALORA QUESTO STRUMENTO VENISSE UTILIZZATO IN MODO DIVERSO DA COME SPECIFICATO DAL PRODUTTORE LA PROIZIONE DI SICUREZZA POTREBBE VENIRNE COMPROMESSA.

SERVICE

SERVICING INSTRUCTIONS ARE FOR USE BY SERVICE - TRAINED PERSONNEL ONLY. TO AVOID DANGEROUS ELECTRIC SHOCK, DO NOT PERFORM ANY SERVICING UNLESS QUALIFIED TO DO SO.

SERVICIO

LAS INSTRUCCIONES DE SERVICIO SON PARA USO EXCLUSIVO DEL PERSONAL DE SERVICIO CAPACITADO. PARA EVITAR EL PELIGRO DE DESCARGAS ELÉCTRICAS, NO REALICE NINGÚN SERVICIO A MENOS QUE ESTÉ CAPACITADO PARA HACERLO.

WARTUNG

ANWEISUNGEN FÜR DIE WARTUNG DES GERÄTES GELTEN NUR FÜR GESCHULTES FACHPERSONAL.

ZUR VERMEIDUNG GEFÄHRLICHE, ELEKTRISCHE SCHOCKS, SIND WARTUNGSARBEITEN AUSSCHLIEßLICH VON QUALIFIZIERTEM SERVICEPERSONAL DURCHZUFÜHREN.

ENTRETIEN

L'EMPLOI DES INSTRUCTIONS D'ENTRETIEN DOIT ÊTRE RÉSERVÉ AU PERSONNEL FORMÉ AUX OPÉRATIONS D'ENTRETIEN. POUR PRÉVENIR UN CHOC ÉLECTRIQUE DANGEREUX, NE PAS EFFECTUER D'ENTRETIEN SI L'ON N'A PAS ÉTÉ QUALIFIÉ POUR CE FAIRE.

ASSISTENZA TECNICA

LE ISTRUZIONI RELATIVE ALL'ASSISTENZA SONO PREVISTE ESCLUSIVAMENTE PER IL PERSONALE OPPORTUNAMENTE ADDESTRATO. PER EVITARE PERICOLOSE SCOSSE ELETTRICHE NON EFFETTUARE ALCUNA RIPARAZIONE A MENO CHE QUALIFICATI A FARLA.

CONNECT INTERLOCK TO TRANSMITTER/GENERATOR/AMPLIFIER BEFORE OPERATING.

BRANCHER LE VERROUILLAGE À L'ÉMETTEUR/GÉNÉRATEUR/AMPLIFICATEUR AVANT EMPLOI.

CONECTE EL INTERBLOQUEO AL TRANSMISOR/GENERADOR/AMPLIFICADOR ANTES DE LA OPERACION.

VOR INBETRIEBNAHME VERRIEGELUNG AM SENDER/GENERATOR/VERSTÄRKER ANSCHLIESSEN.

PRIMA DI METTERE IN FUNZIONE L'APPARECCHIO, COLLEGARE IL DISPOSITIVO DI BLOCCO AL TRASMETTITORE/GENERATORE/AMPLIFICATORE.

About This Manual

This manual covers the operating and maintenance instructions for the following models:

8329-300

Changes to this Manual

We have made every effort to ensure this manual is accurate. If you discover any errors, or if you have suggestions for improving this manual, please send your comments to our Solon, Ohio factory. This manual may be periodically updated. When inquiring about updates to this manual refer to the part number and revision on the title page.

Chapter Layout

Introduction — Describes the features of the 8329 Attenuator, lists equipment supplied and optional equipment.

Theory of Operation — Describes how the 8329 Attenuator functions.

Installation — Describes how to set up the 8329 Attenuator.

Operating Instructions — Describes how to operate the 8329 Attenuator.

Maintenance — Lists routine maintenance tasks as well as troubleshooting for common problems. Specifications and parts information are also included.

TABLE OF CONTENTS

Safety Precautions	i
Safety Symbols	ii
Warning Statements	ii
Caution Statements	iii
Safety Statements	iv
About This Manual	vii
Changes to this Manual	vii
Chapter Layout	vii
Chapter 1 Introduction	1
General Description	1
Items Supplied	1
Items Required	1
Optional Items	1
RF Connectors	2
Chapter 2 Theory of Operation	3
Attenuator Construction	3
Cooling	3
Coolant Expansion	3
Heat Dissipation	3
Chapter 3 Installation	4
Unpacking and Inspection	4
Site and Shelter Requirements	4
Tools Required	4
Mounting	4
Vent Plug	5
The Thermostat	5
Thermostat Installation	5
Thermostat Wiring Installation	6
Installing a Blower Assembly	6
Chapter 4 Operating Instructions	7
Initial Adjustments	7
Connection	7
Normal Operation	8
Operation Under Abnormal Conditions	8
Shutdown	8

Emergency Shutdown	8
Chapter 5 Maintenance	9
Troubleshooting	9
Maintenance	9
Cleaning	9
RF Assembly Resistance Test	10
Replace RF Connector	11
Maintaining Coolant Level	11
Replace RF Load Resistor	12
Replacing the Thermoswitch	12
Additional Repairs	12
Shipping the Attenuator	12
RF Section Assembly	12
Complete Unit	13
Storing the Attenuator	13
Customer Service	13
Specifications	14
Replacement Parts List	15
“QC” Type Connectors	15
Limited Warranty	16

General Description

The Model 8329-300 Attenuator is a low-reflection resistance network for use in reducing RF power in 50 ohm transmission lines by known and controlled amounts.

The Model 8329-300 may be used for isolation of power sources up to 2000 W and for low level monitoring. This attenuator is useful for lowering a high input RF power to a level suitable for feeding into an oscilloscope, frequency counter or similar device. The low power value obtained at the output of the attenuator can easily be read on an oscilloscope or terminated in a small RF load resistor.

It is a self-contained instrument that requires no external source of power (except if blower equipped) or utility service. This attenuator is a passive device that is self-contained and does not need any external source of power or utilities to function. The exception would be the use of the optional BA-300 blower for a higher cooling rate. The BA-300-115 requires 115V at 50/60 Hz and the BA-300-230 requires 230V at 50/60 Hz.

The radiator has rhombic shaped cooling fins spaced evenly along its length for the most efficient cooling. Relying only on ambient air currents, this Tenuline Attenuator will safely absorb, and dissipate harmlessly as heat, up to 2000 watts of input power. When equipped with an optional blower, Model BA-300, the increased air flow will allow a doubling of the rated load capacity to 4000 watts. Over the frequency range of DC to 500 MHz, the power output will be reduced by 30dB (99.9%) ± 0.5 dB. Up to 500 MHz, the input VSWR will not exceed 1.1 and the output VSWR 1.15. See [Figure 1 on page 2](#).

Items Supplied

The following items are supplied with the Model 8329-300.

- LC Female connector - input end
- N Female connector - output end
- Instruction Manual

Items Required

The following items are required to put the Model 8329-300 into service.

- Multimeter
- Screwdrivers
- Matching connectors on the coaxial transmission line.

Optional Items

The following items are available as optional equipment.

- Overload thermoswitch, P/N 8329-028, for protection against burnout.
- Quick-Change (QC) connectors for convenient and easy interchange with other "AN" type QC connectors. Refer to the list in the Maintenance Chapter.

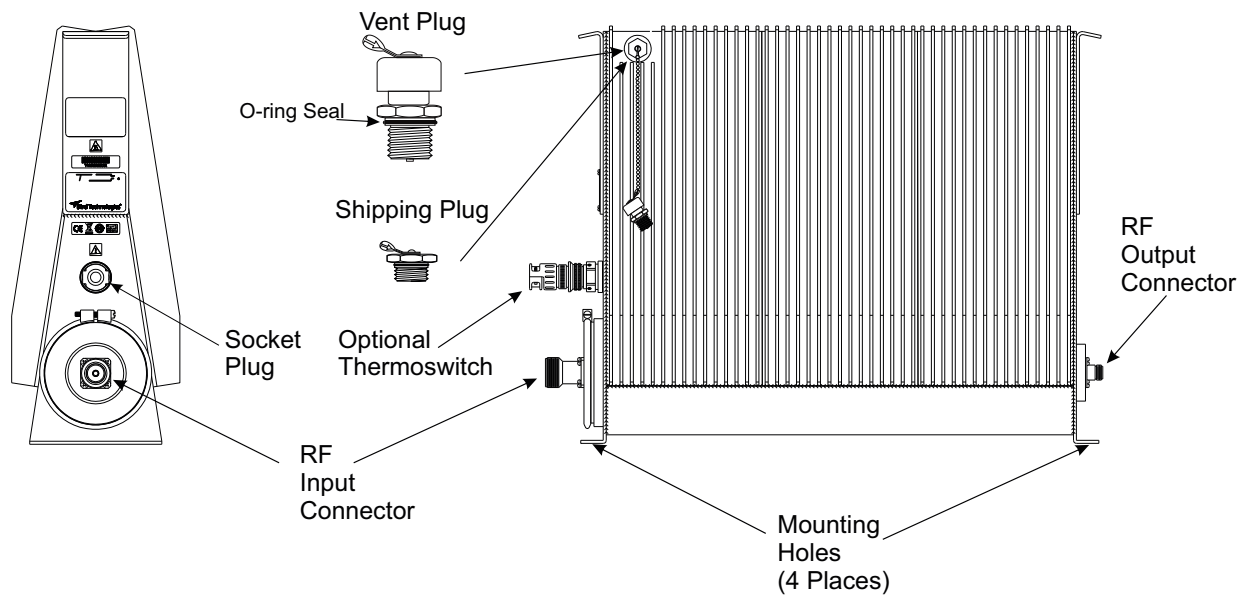
RF Connectors

The 8329-300 Attenuators are equipped with a Bird Quick-Change (QC) connectors.

LC Female connector for the input and a female N type connector for the output are normally supplied but they may be conveniently and easily interchanged with other Bird QC connectors. See "["QC" Type Connectors](#)" on page 15 for a list of available connectors. See "[Replace RF Connector](#)" on page 11 for replacement instructions.

Note: At the full power and frequency capability of this model, refer to "[Specifications](#)" on page 14, only type LC, LT (Female or Male) or 7/8" EIA (air line) connectors will be adequate on the input line.

Figure 1 Model 8329-300 Outline Drawing



Attenuator Construction

The Model 8329-300 Attenuator is a symmetrical “T” pad, with the power distribution on the legs being different. Therefore, the value of the resistance on each leg is different according to the power it is to absorb. On the input resistor element, a proportionately larger resistor is of course required for its much greater power dissipation. A “T” configuration is used to provide equal input and output impedance’s for the 50 ohm transmission line attenuation.

The input resistor is joined by the “T” leg joint in an exponentially tapered housing to provide a linear reduction in surge impedance of 50 ohms. This arrangement produces a uniform and practically reflection-less attenuation characteristic over the stated frequencies of the attenuator.

This system of carbon-film-on-ceramic cylindrical resistors immersed in a dielectric coolant constitutes the RF section assembly. The cooling liquid and the tapered input resistor housing provide the proper electrical characteristics of the coaxial line termination.

Cooling

The dielectric coolant is carefully chosen for its desirable dielectric properties, to which the diameters of the resistors and housings are matched, and for its high thermal stability characteristics.

Coolant Expansion

When power is applied to the attenuator, the coolant expands, as the air in the coolant housing is compressed it is allowed to escape through the vent plug located near the top and front face of the unit.

Heat Dissipation

Heat Dissipation is accomplished by convection, the coolant carries the heat generated in the various resistor elements to the walls of the coolant housing. The housing is encased in a set of radiating fins which are attached to its outer surface. These radiating fin surfaces dissipate the heat of the coolant into the surrounding air.

Unpacking and Inspection

1. Carefully inspect shipping container for signs of damage.
 - If the shipping container is damaged, do not unpack the unit. Immediately notify the shipping carrier and Bird Technologies.
 - If the shipping container is not damaged, unpack the unit. Save shipping materials for repackaging.
2. Inspect unit for visual signs of damage.

Note: *If there is damage, immediately notify the shipping carrier and Bird Technologies.*

Site and Shelter Requirements

The Model 8329-300 Attenuator should be operated in a dry, dust, and vibration free environment.

The ambient temperature range should remain between -40°C and +45°C (-40°F and +113°F) for proper operation.

Allow at least 12" (300mm) of clearance around the unit, 6" (150mm) if it is equipped with a blower, to permit unimpeded access of convection air currents for adequate heat dissipation.

Place the attenuator as close as possible to the transmitting equipment, to permit the shortest possible cable length.

Tools Required

The following tools and supplies will be required to prepare the unit for use.

- Wrenches
- Standard screwdrivers
- 9/16 Hex wrench (for thermoswitch installation)
- Pipe sealing compound (for thermoswitch installation)
- Soldering Iron and solder (for thermoswitch installation)
- Bolt and nut sets or lag screws (for mounting)

Mounting

CAUTION

This equipment is designed for operation in a horizontal position only, with mounting brackets down. Do not operate in any other manner!

The attenuator may stand free, may be secured to a bench, or any convenient flat surface. The front and rear face plates are made of heavier gauge material bent outward 90° at the bottom to form mounting flanges. At each corner of these flanges is a 3/8 inch hole for use with suitable fasteners up to 3/8 inch. The holes are arranged in a 20-23/32 inch x 4-1/2 inch rectangle (526.3 x 114.3mm). The front and rear face plates of the attenuator are also bent over on the top to form convenient carrying handles.

1. Place the unit on a flat surface.
2. Insert the fasteners, up to 3/8 inch, through the bench and the holes.
3. Secure the bolts with nuts and lock washers.

Vent Plug

WARNING

The vent plug must be used at all times when the unit is in operation or cooling.
Always check to ensure vent plug is installed prior to operation.
Failure to do this could result in damage to the equipment and endanger the operator's safety.

Before placing the attenuator into service, the solid shipping plug must be removed and replaced by the spring loaded vent plug. The two plugs are linked together by a short length of bead chain.

1. Locate the vent hole for the plug, located at the top left hand side near the front.
See [Figure 1 on page 2](#).
2. Remove the shipping plug.
3. Verify the O-Ring is installed on the vent plug.
4. Install the vent plug
5. Retain the shipping plug for use in transporting the attenuator.
The shipping plug should be placed back in the vent hole whenever the attenuator is to be shipped. Take care not to lose the O-Ring seal.

The Thermoswitch

As an optional item, the attenuator can be provided with a thermoswitch assembly (P/N 8329-028). When the thermoswitch is installed, it prevents possible damage from accidental power overloading from the transmitter or equipment malfunction.

The thermoswitch is normally closed and opens at a maximum safe temperature of +200°C (+392°F). Since the thermoswitch is connected in series with the transmitter interlock, it cuts off the transmitter power if the coolant temperature exceeds this value. The assembly consists of:

- Thermoswitch body - P/N 8329-027
- Coupling Jack - P/N 2450-018

Thermoswitch Installation

WARNING

The vent plug must be used at all times when the unit is in operation or cooling.
Always check to ensure vent plug is installed prior to operation.
Failure to do this could result in damage to the equipment and endanger the operator's safety.

1. Replace the vent plug with the shipping plug.
2. Stand the unit on its front, supporting it so that the connector is not damaged.
Note: *In this position there is no danger of the coolant pouring out through the socket plug hole.*
3. Remove the socket plug just above the connector assembly, using a $\frac{9}{16}$ " hex wrench.
4. Replace the plug with the thermoswitch. Use an acceptable pipe sealing compound sparingly on *only* the external threads of the thermoswitch.
Note: Do not contaminate the coolant with pipe sealant.
5. Check for coolant leaks upon completion.

Thermoswitch Wiring Installation

WARNING

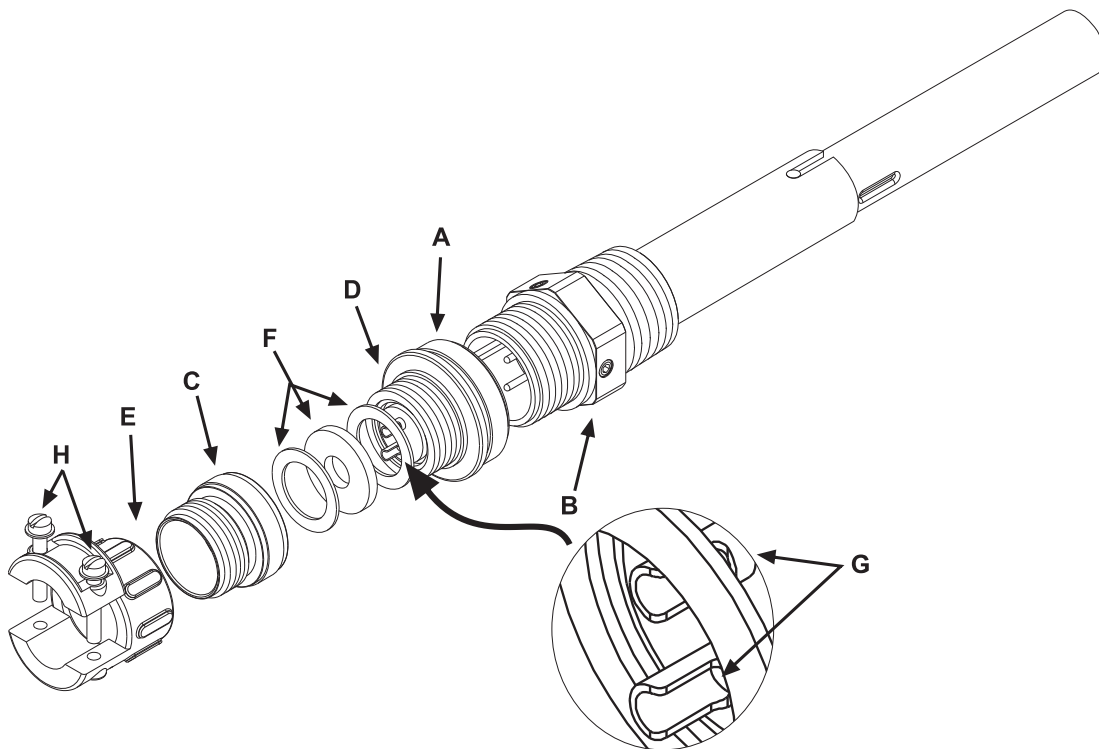
Do not attempt to operate the equipment without the interlock attached.

1. Unscrew the larger knurled ring-nut (A) at the lower end of the coupling jack assembly.
2. Pull it off from the thermoswitch jack (B).
3. Unscrew the small knurled cover fitting (C) from the base plug (D) of the connector to release the base.
4. Thread the interlock wires through the clamp (E) with the washers (F) inside and with its threaded fitting in place.
5. Service the interlock wires with short tips, use spaghetti sleeves over the wire ends if needed.
6. Securely solder the interlock leads to the lugs (G) of the connector base.

Note: Be sure that the larger captive clamping nut (A) is in place over the base plug (D) with the knurled end outward.

7. Screw on the cover ring (C) first.
8. Fasten the cable clamp (E) in place.
9. Tighten the two yoke screws (H) on the cable.
10. Push the plug back onto the thermoswitch.
11. Tighten the captive knurled connecting ring.

Figure 2 Thermoswitch Assembly



Installing a Blower Assembly

For field installation of the blower assembly refer to the blower instruction manual.

There are no operating controls for the Model 8329-300 Attenuator. Read and become familiar with the following instructions before operating the unit.

However, if it is equipped with a blower assembly, BA-300, there will be an ON/OFF switch and a BLOWER ON indicator lamp on the assembly.

Initial Adjustments

WARNING

Never attempt to disconnect the equipment from the transmission line while RF power is being applied. Leaking RF energy is a potential health hazard

Before connecting any attenuators or loads, perform the following steps.

1. Wipe all connectors and insulator surfaces on the transmission line with a clean soft cloth.
2. Check the RF input connector for signs of wear, damage, or dirt.
3. Clean the connector if necessary. Use a self-drying, non-residue forming contact cleaner on the interior portions of the connector.
4. Check the input resistance of the attenuator. Refer to "[RF Assembly Resistance Test](#)" on page 10.

Connection

WARNING

Never attempt to disconnect the equipment from the transmission line while RF power is being applied. Leaking RF energy is a potential health hazard

The front or input end of the attenuator is identified by the four inch (102mm) diameter die-cast aluminum disc on which the connector is mounted. The rear face of the unit has OUTPUT stenciled above the connector. *Do not* couple the attenuator backwards to the direction of power flow. Destruction of the output resistor will result.

1. Connect the attenuator input to the transmitter's power output. Use 50 ohm coaxial cable.
2. Connect the attenuator output to a suitable load with 50 ohm coaxial cable (RG-8A/U, RG-9/U, RG-213/U or equivalent) equipped with connectors which mate with the RF output connector of the attenuator.
3. Follow the transmitter manufacturer's instructions.

Note: *If the attenuator is to be operated at both maximum power and frequency values, use a Male LC connector with a suitable cable (RG-218/U or RG-220/U) on the input and Male N connector with appropriate cable or load on the output. These connect to the RF fittings normally supplied.*

Before applying any RF power to the attenuator, be certain to check that the vent plug is in place in the vent hole. See "[Vent Plug](#)" on page 5.

Normal Operation

WARNING

The vent plug must be used at all times when the unit is in operation or cooling. Failure to do this could result in damage to the equipment and endanger the operator's safety. Be sure to check the plug.

WARNING

Using this attenuator in the upper end of its power dissipation range will cause the housing to become hot. Care should be exercised in touching it.

CAUTION

This equipment is designed for operation in a horizontal position only, with mounting brackets down. Do not operate in any other manner.

CAUTION

RF power rating must always be cut in half when the blower assembly is installed but is not running. Under this condition a 2 kW attenuator will be limited to approximately 1 kW.

Because the Model 8329-300 attenuator is a passive device and has no indicators or controls, it requires no operating procedures or surveillance when the performance limits are not exceeded. It should function faultlessly, absorbing and converting the excess RF energy into heat indefinitely, if it is properly maintained and not subjected to an overload.

Operation Under Abnormal Conditions

The Model 8329-300 Attenuator is not intended or recommended for outdoor use. The attenuator may be subjected to moderate overloads for limited periods of time without overheating. However, this should be done cautiously, and it is strongly recommended that if such a use is contemplated, the attenuator should be equipped with a thermostwitch. When interlocked with the power line to the source of RF energy, the thermostwitch becomes a fail safe device to guard the attenuator against the dangers of overheating.

Shutdown

WARNING

Never attempt to disconnect the equipment from the transmission line while RF power is being applied. Leaking RF energy is a potential health hazard.

The attenuator, being a passive device, cannot be shut off. The source of RF energy must be cut off instead.

1. Turn off the source of RF power.
2. If equipped, let the blower run of at least five minutes to adequately cool the radiator.
3. If equipped, turn off the blower.

Emergency Shutdown

Turn off the RF power at the source.

This chapter contains operator maintenance instructions, troubleshooting, and parts information.

Troubleshooting

Problem	Possible Cause	Correction
Leaking coolant	Loose clamping band	Tighten the clamping band
	Defective or improperly installed front (input) O-ring	Replace the O-ring (See " Maintaining Coolant Level " on page 11)
	Defective or improperly installed rear (output) O-ring	Replace the O-ring (See " Maintaining Coolant Level " on page 11)
High or low DC resistance	Loose RF input connector	Tighten connector
	Faulty RF input connector	Replace connector (See " Replace RF Connector " on page 11)
	Faulty RF Section assembly	Replace the RF Section assembly (See " Replace RF Load Resistor " on page 12)
Overheating radiator	RF power too high	Lower RF power (" Specifications " on page 14 for maximum RF power)
	Coolant level too low	Check the coolant level. Add coolant if necessary (See " Maintaining Coolant Level " on page 11)
	Faulty RF Section assembly	Replace the RF Section assembly (See " Replace RF Load Resistor " on page 12)

Maintenance

Cleaning

Note: *The most important cleaning task is to remove accumulations of dust and lint from the radiator fins. An extensive collection of dust and lint on the cooling fins will interfere with the efficient dissipation of heat. When dirt and dust have accumulated in the radiator fin spaces it should be cleaned.*

1. Remove loose dirt and grime, gently, using a soft clean cloth dampened with a mild warm solution of detergent and water.

Note: *Use a lint-free cleaning cloth and mild detergent.*

2. Check the condition of the RF coaxial connector.

Note: *If it needs cleaning, perform the following step.*

3. Clean the connector with a self-drying contact cleaner, that leaves no residue on the inaccessible portions.

RF Assembly Resistance Test

Note: These tests are by no means a necessity to the operation of the attenuator but merely guidelines for the users information.

Accurate measurement of the DC resistance between the input to ground, output to ground, and input to output will provide a good check of the condition of the attenuator.

Checking the DC resistance is simply used to measure a change in the resistance over time. Tracking the DC resistance should start *before* the unit is first put into service. Perform the following steps and record the value for future comparison. Resistance measurements should be taken periodically according to use.

Preparation:

- Tools: Common hand tools.
- Ohmmeter with an accuracy of $\pm 1\%$ at 50 ohms (or use a resistance bridge).
- Use low resistance leads, preferably a short piece of 50 ohm coaxial cable fitted with an appropriate connector or alligator clips.
- Temperature of the attenuator should be stabilized between 20°C to 25°C (68°F to 77°F).

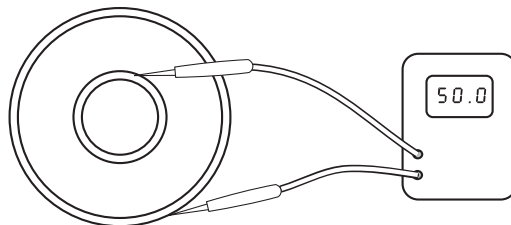
DC Resistance Measurement

WARNING
 Never attempt to connect or disconnect RF equipment from the transmission line while RF power is being applied.
 Leaking RF energy is a potential health hazard.

Note: It is recommended that this resistance check be performed each time the attenuator is to be used.

1. Turn off RF power before making any disconnections.
2. Disconnect the RF coaxial line.
3. Take the following measurements:
 - a. Connect the multimeter test leads across the center and outer conductor of the attenuators INPUT connector. See [Figure 3](#).
Result should be 50 ± 2 Ohms
 - b. Connect the multimeter test leads across the center and outer conductor of the Attenuators OUTPUT connector.
Result should be 50 ± 2 Ohms
 - c. Connect the multimeter test leads across the INPUT center conductor and the OUTPUT center conductor.
Result should be 93.7 ± 2 Ohms
4. Record the value of the resistance *before* the attenuator is put into service. Compare subsequent values with the latest reading. If the values vary more than 2 ohms this could be an indication of a failing Attenuator.

Figure 3 Measuring DC Resistance



Replace RF Connector

Note: Tool required:

- Screwdriver

The following paragraphs outline the component removal and replacement procedure.

The connector is a Quick-Change (QC) design which permits easy interchange with the use of only a screwdriver. This process does not interfere with the essential coaxial continuity of the attenuator RF input, output, or the coolant oil seals. For replacement, proceed as follows:

1. Remove and retain the four screws from the corners of the RF connector.
2. Pull the connector straight out of its socket.
3. Insert the new connector into the mating connector. Be sure the projecting center pin on the connector is properly engaged and seated in the mating socket, then push it in firmly.
4. Install the four screws that were previously removed.

Maintaining Coolant Level

The level of the dielectric coolant should remain constant in the unit after prolonged usage under normal operating conditions. As shipped, the coolant is at a factory determined level, and should be about 3-1/4" (82.5mm) below the surface of the thermoswitch hole, with the unit in a vertical position. However, loss of up to 10% of the full tank capacity should not impair the operating efficiency of the attenuator.

Inspecting Coolant

- The coolant should be a light yellow color.

Note: *If it is dark and not a light yellow, it may be contaminated and should be replaced.*

- Inspect, occasionally, around the clamping band at the input end for possible coolant leakage.
- Tighten the clamping screw, if necessary
- Ensure the O-Ring seal is in good condition; i.e., soft and pliable and free from surface cracks.

Adding Coolant

Add coolant through the pipe plug hole (thermoswitch hole) until it reaches the proper level, about 3-1/4 inches below the surface of the hole.

Note: *Do not overfill the unit beyond the recommended level.*

Replacing Coolant

1. Remove the rear (output) connector.
2. Replace the vent plug with the shipping plug.
3. Raise the unit, carefully, by its front handle and foot until it is tipped up on its back.
4. Position the load on the bench top so that the entire rear connector assembly, minus the connector, projects over the edge of the bench.
5. Brace the unit vertically in this position so that it will not topple over.
6. Place a clean container for liquid just under the rear connector assembly to receive the coolant.

Note: *The volume of the coolant is 2.9 gallons (11 liters), so the container must be at least a three gallon size, and preferably five gallons.*

7. Remove the V-band clamp from around the front (input) connector assembly by loosening the 10-32 holding screw sufficiently to slip the band off.
8. Work the RF section assembly loose and, carefully, lift it straight out of the resistor tank.

Note: *There will be some initial resistance as the O-Ring seal around the rear connector assembly comes loose from the housing.*

Note: As the RF section comes out of the rear connector assembly, the coolant will start to pour into the container. Work the RF section loose slowly, so that the coolant does not splash.

9. Let the coolant drip for a few minutes to get as much as possible out of the radiator tank.

Note: As the RF section is raised out of the radiator tank some coolant will be trapped in the rear end cylinder.

10. Turn the section over carefully to empty it out.

Note: An alternate, but much slower, method of draining the radiator would be to siphon the coolant out of the thermoswitch hole.

11. Discard the contaminated coolant collected in the container.

12. Replace the RF section assembly.

Note: Make sure that it is smoothly and firmly seated in the rear connector assembly.

13. Replace the V-band on the front connector plate assembly and tighten the screw.

14. Add clean coolant to the unit.

Note: Fill the unit until the level is about 3-1/4 inches below the thermoswitch hole.

15. Coat the pipe plug or thermoswitch threads sparingly with pipe sealant.

Note: Do not contaminate the coolant.

16. Screw the pipe plug or thermoswitch back in place carefully to avoid stripping the aluminum threads of the plug hole.

17. Lower the attenuator back onto its feet.

18. Check all seals for signs of leaks.

Replace RF Load Resistor

To replace the load resistor follow the same procedure as in the Replacing Coolant section.

However, inspect the O-Ring seals. Do not reuse the O-Rings if they are no longer soft and pliable or shows signs of cracks. If the coolant removed is not contaminated, it may be reused in the radiator tank with additional new coolant as required.

The RF section is not field repairable and further disassembly should not be attempted. Return the entire RF assembly to the factory for repair or replacement.

Replacing the Thermoswitch

To replace the Thermoswitch, refer to "[Thermoswitch Installation](#)" on page 5 and "[Thermoswitch Wiring Installation](#)" on page 6.

Additional Repairs

Any maintenance or service procedure beyond the scope of those provided in this section should be referred to a qualified service center.

Shipping the Attenuator

RF Section Assembly

1. Wrap the RF section assembly with sufficient padding to avoid damage in shipping and tape securely.
2. Place the wrapped RF section in a cardboard carton and pad or brace it to prevent shifting.

Complete Unit

1. Place the device in a substantial shipping container.
2. Pack or brace the container securely to prevent damage in shipping.

Note: *All instruments returned for service must be shipped prepaid and to the attention of the Customer Service Group. See "[Customer Service](#)" on [page 13](#).*

Storing the Attenuator

1. Cover the equipment to keep out dust and dirt.
2. Store the unit in a dust-free, dry environment with an ambient temperature range of -40°C to -45°C (-40°F to +113°F) operational range of the device.

Customer Service

Any maintenance or service procedure beyond the scope of those in this chapter should be referred to a qualified service center.

If the unit needs to be returned for any reason, request an Return Material Authorization (RMA) through the Bird Technologies website. All instruments returned must be shipped prepaid and to the attention of the RMA number.

Bird Service Center

30303 Aurora Road
Cleveland (Solon), Ohio 44139-2794
Fax: (440) 248-5426
E-mail: bsc@birdrf.com

For the location of the Sales Office nearest you, visit our Web site at:

<http://www.birdrf.com>

Specifications

Impedance:	50 ohms nominal
VSWR Input (DC-500MHz) Output (DC-500MHz)	1.1:1.0 maximum 1.15:1.0 maximum
Connectors Input Output	Bird .QC. Type, Female LC normally supplied Bird .QC. Type, Female N normally supplied.
Power Range Without blower assembly: With blower assembly: With blower, but not running:	2000W 4000W 1000W maximum
Frequency Range	DC-500MHz
Attenuation	30dB ±0.5dB, DC-500MHz
Calibration Frequencies (to ±0.2dB)	30, 100, 200, 300, 400 and 500MHz
Dimensions	23-1/4"L x 7-1/8"W x 17-3/16"H (591 x 181 x 437mm)
Ambient Temperature	-40°C to +45°C (-40°F to +113°F)
Cooling Method Without blower assembly With blower assembly	Convection currents Forced draft
Weight Without blower assembly With blower assembly	57 lbs. (26kg) 70.5 lbs. (32kg)
Operating Position	Horizontal only
Finish	Grey Powder Coat

Replacement Parts List

Qty.	Description	Part Number
1	RF Section Assembly	8329-302
1	Radiator Assembly	8329-307
1	Coolant - 2.9 gallons (11 liters)	5-1070-2 (1 gallon)
1	QC Connector	See "QC" Type Connectors
1	Clamp Band Assembly	2430-043
1	O-Ring Seal, Input	5-230
1	O-Ring Seal, Output	5-243
	Vent & Shipping Plug Kit (includes 1 each: vent & shipping plugs, o-ring, chain assembly, and screw)	RPK8000-1
1	Vent Plug	2450-094
1	Shipping Plug	2450-049
1	Chain Assembly	8180-094
1	O-Ring (Used for Vent/Shipping Plug)	5-504

"QC" Type Connectors

Connector	Part Number
*N-Female (output)	4240-062
N-Male	4240-063
HN-Female	4240-268
HN-Male	4240-278
*LC-Female (input)	4240-031
7/8. EIA Air Line	4240-002
LT-Female	4240-018
LT-Male	4240-012
C-Female	4240-100
C-Male	4240-110
UHF-Female (SO-239)	4240-050

* Normally Supplied

LIMITED WARRANTY

All products manufactured by Seller are warranted to be free from defects in material and workmanship for a period of one (1) year, unless otherwise specified, from date of shipment and to conform to applicable specifications, drawings, blueprints and/or samples. Seller's sole obligation under these warranties shall be to issue credit, repair or replace any item or part thereof which is proved to be other than as warranted; no allowance shall be made for any labor charges of Buyer for replacement of parts, adjustment or repairs, or any other work, unless such charges are authorized in advance by Seller.

If Seller's products are claimed to be defective in material or workmanship or not to conform to specifications, drawings, blueprints and/or samples, Seller shall, upon prompt notice thereof, either examine the products where they are located or issue shipping instructions for return to Seller (transportation charges prepaid by Buyer). In the event any of our products are proved to be other than as warranted, transportation costs (cheapest way) to and from Seller's plant, will be borne by Seller and reimbursement or credit will be made for amounts so expended by Buyer. Every such claim for breach of these warranties shall be deemed to be waived by Buyer unless made in writing within ten days from the date of discovery of the defect.

The above warranties shall not extend to any products or parts thereof which have been subjected to any misuse or neglect, damaged by accident, rendered defective by reason of improper installation or by the performance of repairs or alterations outside of our plant, and shall not apply to any goods or parts thereof furnished by Buyer or acquired from others at Buyer's request and/or to Buyer's specifications. Routine (regularly required) calibration is not covered under this limited warranty. In addition, Seller's warranties do not extend to the failure of tubes, transistors, fuses and batteries, or to other equipment and parts manufactured by others except to the extent of the original manufacturer's warranty to Seller.

The obligations under the foregoing warranties are limited to the precise terms thereof. These warranties provide exclusive remedies, expressly in lieu of all other remedies including claims for special or consequential damages. SELLER NEITHER MAKES NOR ASSUMES ANY OTHER WARRANTY WHATSOEVER, WHETHER EXPRESS, STATUTORY, OR IMPLIED, INCLUDING WARRANTIES OF MERCHANTABILITY AND FITNESS, AND NO PERSON IS AUTHORIZED TO ASSUME FOR SELLER ANY OBLIGATION OR LIABILITY NOT STRICTLY IN ACCORDANCE WITH THE FOREGOING.