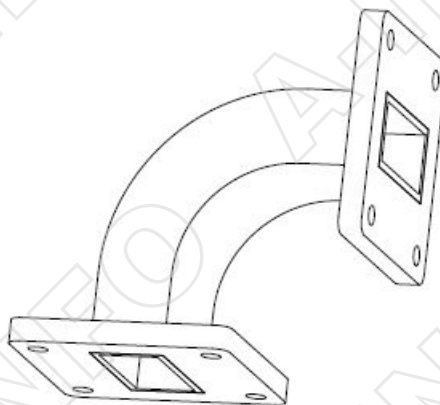
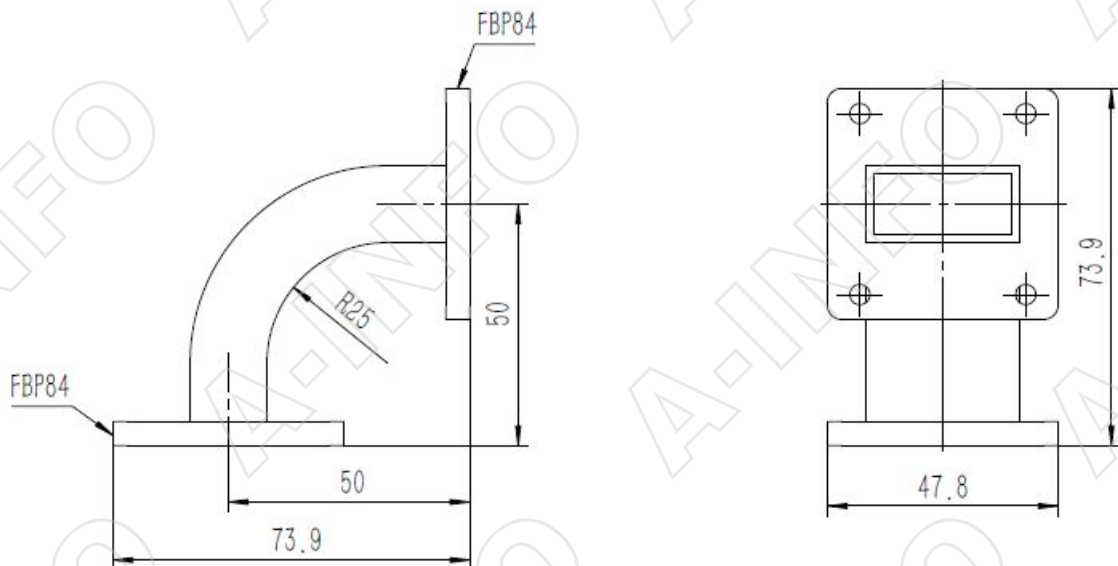


## Technical Specification

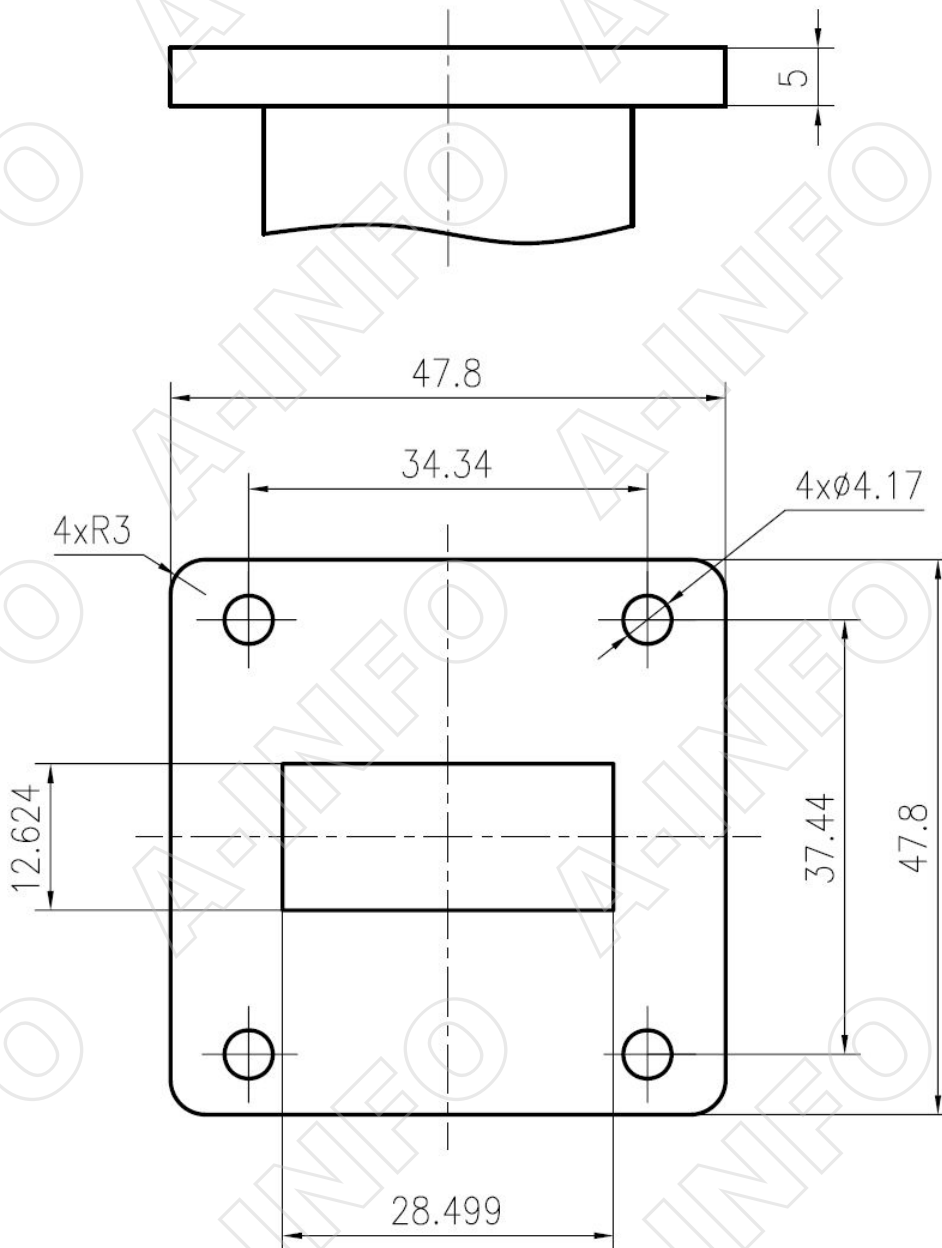


EIA WR	WR112
Frequency Range(GHz)	7.05 – 10.0
VSWR	1.15 max
Flange	FBP84
Material	Al
Net Weight(Kg)	0.08 Around

## Outline Drawing (Size: mm)



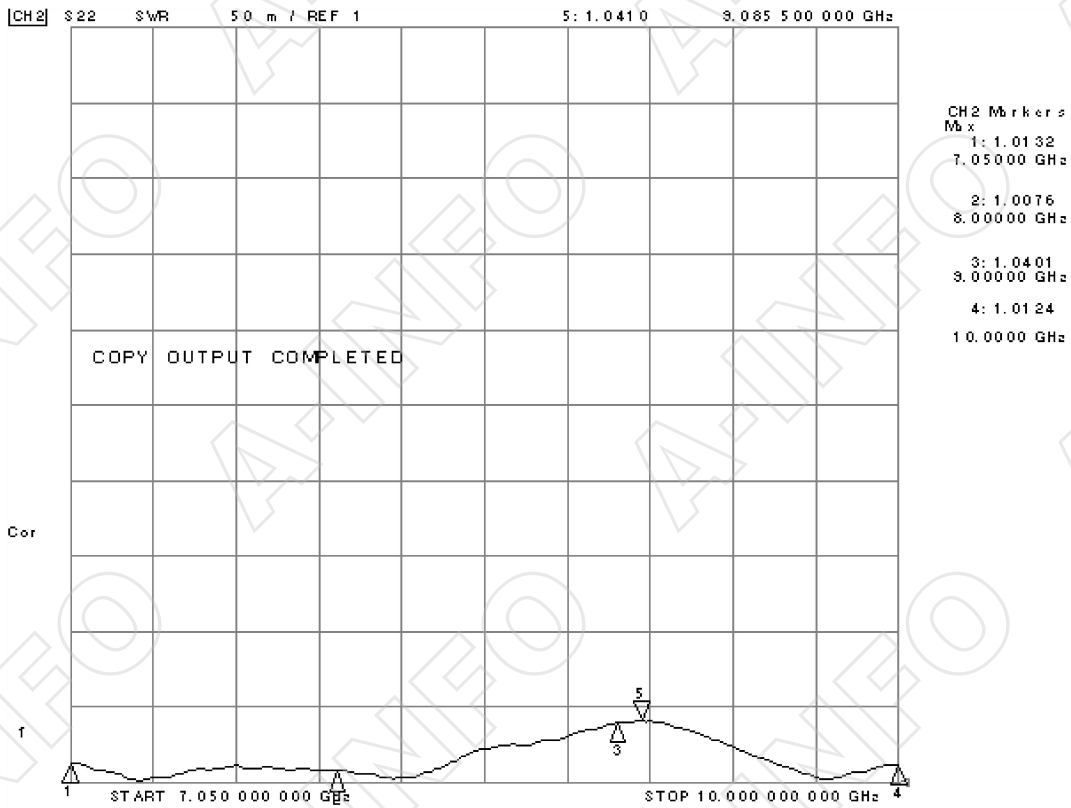
## Flange Drawing (Size: mm)



### FBP84

## Test Results

### VSWR



### Insertion Loss

