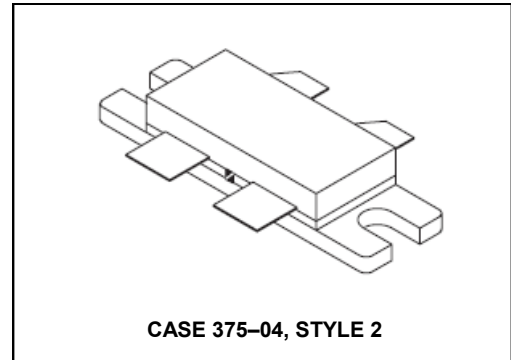


The RF MOSFET Line 200/150W, 500MHz, 28V

Rev. V1

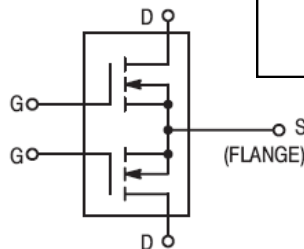
Designed for broadband commercial and military applications using push pull circuits at frequencies to 500 MHz. The high power, high gain and broadband performance of these devices makes possible solid state transmitters for FM broadcast or TV channel frequency bands.

Product Image



N-Channel enhancement mode

- Guaranteed performance
MRF175GV @ 28 V, 225 MHz ("V" Suffix)
Output power — 200 W
Power gain — 14 dB typ
Efficiency — 65% typ`
- 100% ruggedness tested at rated output power
- Low thermal resistance
- Low C_{rss} — 20 pF typ @ $V_{DS} = 28$ V



MAXIMUM RATINGS

| Rating | Symbol | Value | Unit |
|--|-----------|-------------|------------------------------|
| Drain-Source Voltage | V_{DSS} | 65 | Vdc |
| Drain-Gate Voltage ($R_{GS} = 1.0$ M Ω) | V_{DGR} | 65 | Vdc |
| Gate-Source Voltage | V_{GS} | ± 40 | Vdc |
| Drain Current — Continuous | I_D | 26 | Adc |
| Total Device Dissipation @ $T_C = 25^\circ\text{C}$ Derate above 25°C | P_D | 400 2.27 | Watts W/ $^\circ\text{C}$ |
| Storage Temperature Range | T_{stg} | -65 to +150 | $^\circ\text{C}$ |
| Operating Junction Temperature | T_J | 200 | $^\circ\text{C}$ |

THERMAL CHARACTERISTICS

| Characteristic | Symbol | Max | Unit |
|--------------------------------------|-----------------|------|---------------------------|
| Thermal Resistance, Junction to Case | $R_{\theta JC}$ | 0.44 | $^\circ\text{C}/\text{W}$ |

ELECTRICAL CHARACTERISTICS ($T_C = 25^\circ\text{C}$ unless otherwise noted)

| Characteristic | Symbol | Min | Typ | Max | Unit |
|----------------|--------|-----|-----|-----|------|
|----------------|--------|-----|-----|-----|------|

OFF CHARACTERISTICS (1)

| | | | | | |
|--|---------------|----|---|-----|-----------------|
| Drain-Source Breakdown Voltage ($V_{GS} = 0$, $I_D = 50$ mA) | $V_{(BR)DSS}$ | 65 | — | — | Vdc |
| Zero Gate Voltage Drain Current ($V_{DS} = 28$ V, $V_{GS} = 0$) | I_{DSS} | — | — | 2.5 | mAdc |
| Gate-Source Leakage Current ($V_{GS} = 20$ V, $V_{DS} = 0$) | I_{GSS} | — | — | 1.0 | μAdc |

(continued)

Handling and Packaging — MOS devices are susceptible to damage from electrostatic charge. Reasonable precautions in handling and packaging MOS devices should be observed.

ELECTRICAL CHARACTERISTICS — continued ($T_C = 25^\circ\text{C}$ unless otherwise noted)

| Characteristic | Symbol | Min | Typ | Max | Unit |
|----------------|--------|-----|-----|-----|------|
|----------------|--------|-----|-----|-----|------|

ON CHARACTERISTICS (1)

| | | | | | |
|--|--------------|-----|-----|-----|------|
| Gate Threshold Voltage ($V_{DS} = 10\text{ V}$, $I_D = 100\text{ mA}$) | $V_{GS(th)}$ | 1.0 | 3.0 | 6.0 | Vdc |
| Drain–Source On–Voltage ($V_{GS} = 10\text{ V}$, $I_D = 5.0\text{ A}$) | $V_{DS(on)}$ | 0.1 | 0.9 | 1.5 | Vdc |
| Forward Transconductance ($V_{DS} = 10\text{ V}$, $I_D = 2.5\text{ A}$) | g_{fs} | 2.0 | 3.0 | — | mhos |

DYNAMIC CHARACTERISTICS (1)

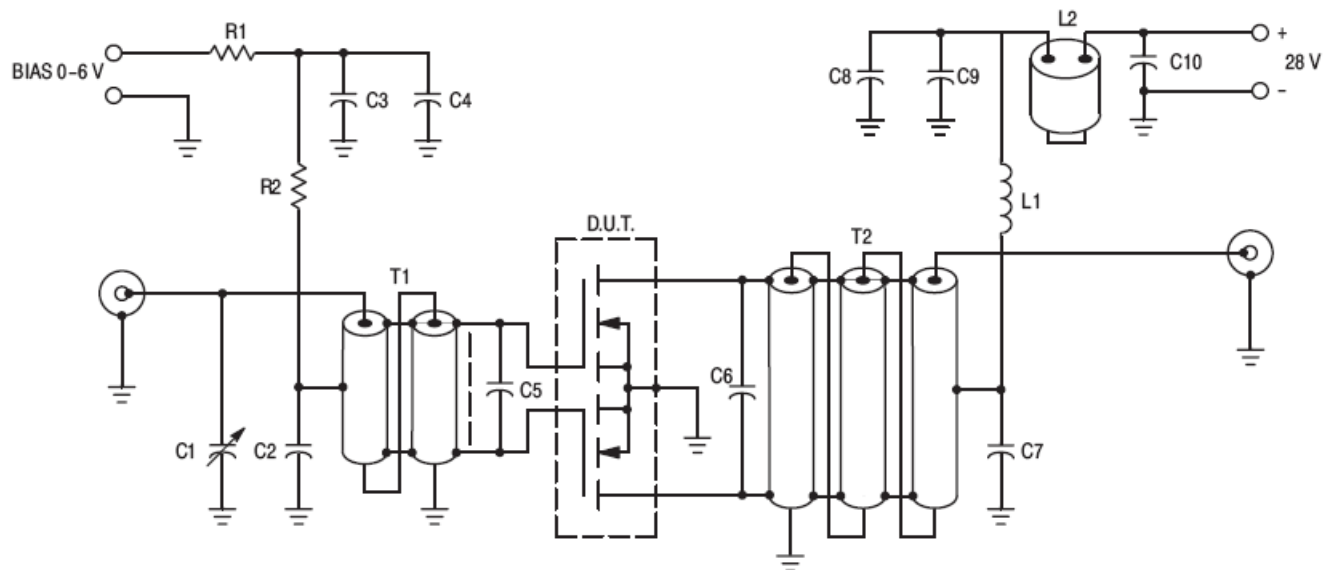
| | | | | | |
|---|-----------|---|-----|---|----|
| Input Capacitance ($V_{DS} = 28\text{ V}$, $V_{GS} = 0$, $f = 1.0\text{ MHz}$) | C_{iss} | — | 180 | — | pF |
| Output Capacitance ($V_{DS} = 28\text{ V}$, $V_{GS} = 0$, $f = 1.0\text{ MHz}$) | C_{oss} | — | 200 | — | pF |
| Reverse Transfer Capacitance ($V_{DS} = 28\text{ V}$, $V_{GS} = 0$, $f = 1.0\text{ MHz}$) | C_{rss} | — | 20 | — | pF |

FUNCTIONAL CHARACTERISTICS — MRF175GV (2) (Figure 1)

| | | | | | |
|---|----------|--------------------------------|----|---|----|
| Common Source Power Gain ($V_{DD} = 28\text{ Vdc}$, $P_{out} = 200\text{ W}$, $f = 225\text{ MHz}$, $I_{DQ} = 2.0 \times 100\text{ mA}$) | G_{ps} | 12 | 14 | — | dB |
| Drain Efficiency ($V_{DD} = 28\text{ Vdc}$, $P_{out} = 200\text{ W}$, $f = 225\text{ MHz}$, $I_{DQ} = 2.0 \times 100\text{ mA}$) | η | 55 | 65 | — | % |
| Electrical Ruggedness ($V_{DD} = 28\text{ Vdc}$, $P_{out} = 200\text{ W}$, $f = 225\text{ MHz}$, $I_{DQ} = 2.0 \times 100\text{ mA}$, VSWR 10:1 at all Phase Angles) | ψ | No Degradation in Output Power | | | |

NOTES:

1. Each side of device measured separately.
2. Measured in push–pull configuration.



- C1 — Arco 404, 8.0–60 pF
- C2, C3, C7, C8 — 1000 pF Chip
- C4, C9 — 0.1 μ F Chip
- C5 — 180 pF Chip
- C6 — 100 pF and 130 pF Chips in Parallel
- C10 — 0.47 μ F Chip, Kemet 1215 or Equivalent
- L1 — 10 Turns AWG #16 Enamel Wire, Close Wound, 1/4" I.D.
- L2 — Ferrite Beads of Suitable Material for 1.5–2.0 μ H Total Inductance
- Board material — .062" fiberglass (G10), Two sided, 1 oz. copper, $\epsilon_r \approx 5$
- Unless otherwise noted, all chip capacitors are ATC Type 100 or Equivalent.

- R1 — 100 Ohms, 1/2 W
- R2 — 1.0 k Ohm, 1/2 W
- T1 — 4:1 Impedance Ratio RF Transformer. Can Be Made of 25 Ohm Semirigid Coax, 47–52 Mils O.D.
- T2 — 1:9 Impedance Ratio RF Transformer. Can Be Made of 15–18 Ohms Semirigid Coax, 62–90 Mils O.D.

NOTE: For stability, the input transformer T1 should be loaded with ferrite toroids or beads to increase the common mode inductance. For operation below 100 MHz. The same is required for the output transformer.

Figure 1. 225 MHz Test Circuit

ELECTRICAL CHARACTERISTICS ($T_C = 25^\circ\text{C}$ unless otherwise noted)

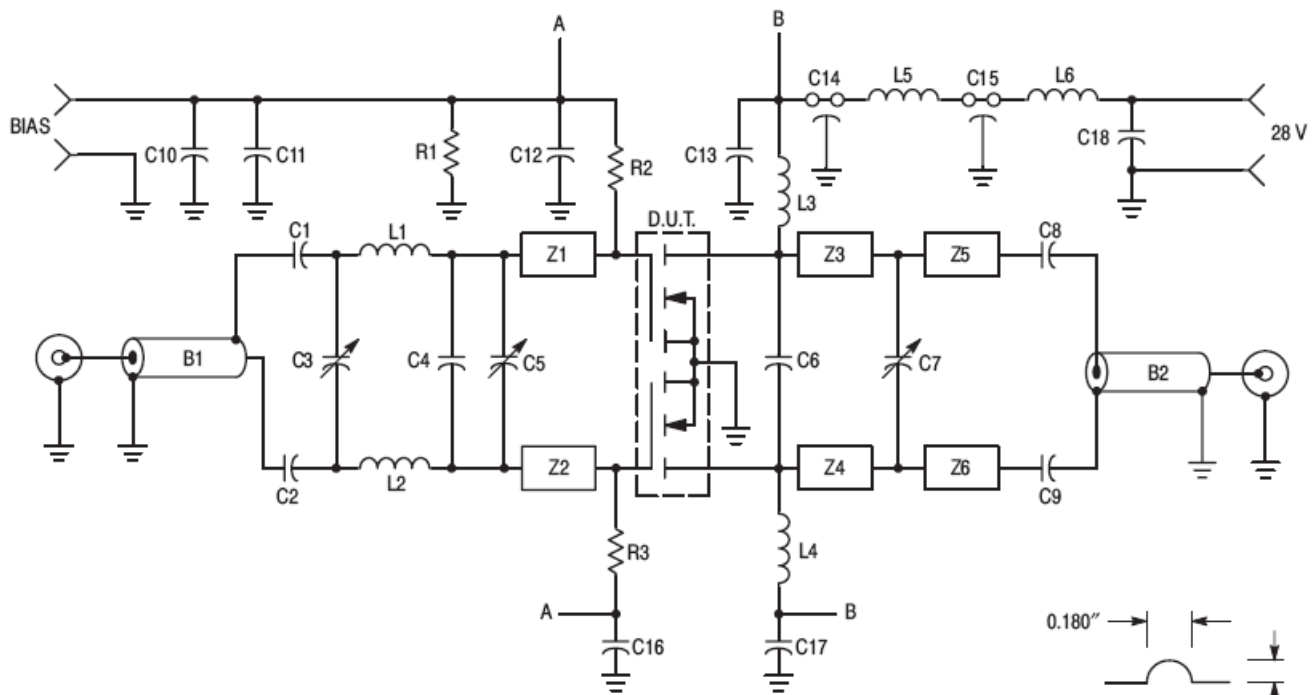
| Characteristic | Symbol | Min | Typ | Max | Unit |
|----------------|--------|-----|-----|-----|------|
|----------------|--------|-----|-----|-----|------|

FUNCTIONAL CHARACTERISTICS — MRF175GU (1) (Figure 2)

| | | | | | |
|---|----------|--------------------------------|----|---|----|
| Common Source Power Gain ($V_{DD} = 28\text{ Vdc}$, $P_{out} = 150\text{ W}$, $f = 400\text{ MHz}$, $I_{DQ} = 2.0 \times 100\text{ mA}$) | G_{ps} | 10 | 12 | — | dB |
| Drain Efficiency ($V_{DD} = 28\text{ Vdc}$, $P_{out} = 150\text{ W}$, $f = 400\text{ MHz}$, $I_{DQ} = 2.0 \times 100\text{ mA}$) | η | 50 | 55 | — | % |
| Electrical Ruggedness ($V_{DD} = 28\text{ Vdc}$, $P_{out} = 150\text{ W}$, $f = 400\text{ MHz}$, $I_{DQ} = 2.0 \times 100\text{ mA}$, VSWR 10:1 at all Phase Angles) | Ψ | No Degradation in Output Power | | | |

NOTE:

1. Measured in push-pull configuration.



- B1 — Balun 50 Ω Semi Rigid Coax 0.086" O.D. 2" Long
- B2 — Balun 50 Ω Semi Rigid Coax 0.141" O.D. 2" Long
- C1, C2, C8, C9 — 270 pF ATC Chip Cap
- C3, C5, C7 — 1.0–20 pF Trimmer Cap
- C4 — 15 pF ATC Chip Cap
- C6 — 33 pF ATC Chip Cap
- C10, C12, C13, C16, C17 — 0.01 μ F Ceramic Cap
- C11 — 1.0 μ F 50 V Tantalum
- C14, C15 — 680 pF Feedthru Cap
- C18 — 20 μ F 50 V Tantalum

- L1, L2 — Hairpin Inductor #18 Wire
 - L3, L4 — 12 Turns #18 Enameled Wire 0.340" I.D.
 - L5 — Ferroxcube VK200 20/4B
 - L6 — 3 Turns #16 Enameled Wire 0.340" I.D.
 - R1 — 1.0 k Ω 1/4 W Resistor
 - R2, R3 — 10 k Ω 1/4 W Resistor
 - Z1, Z2 — Microstrip Line 0.400" x 0.250"
 - Z3, Z4 — Microstrip Line 0.870" x 0.250"
 - Z5, Z6 — Microstrip Line 0.500" x 0.250"
- Board material — 0.060" Teflon–fiberglass,
 $\epsilon_r = 2.55$, copper clad both sides, 2 oz. copper.

Figure 2. 400 MHz Test Circuit

TYPICAL CHARACTERISTICS

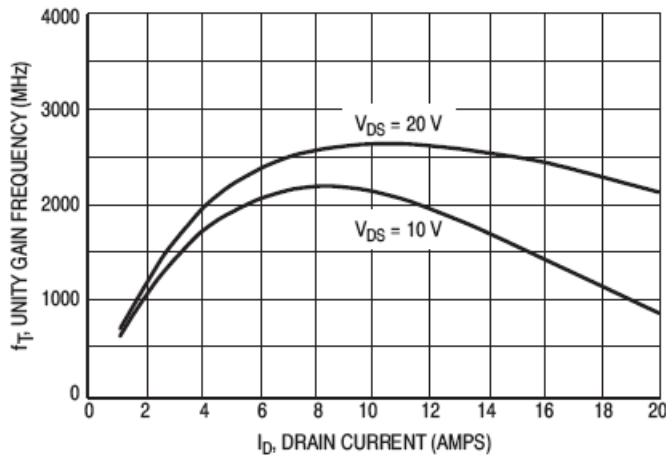


Figure 3. Common Source Unity Current Gain Frequency versus Drain Current

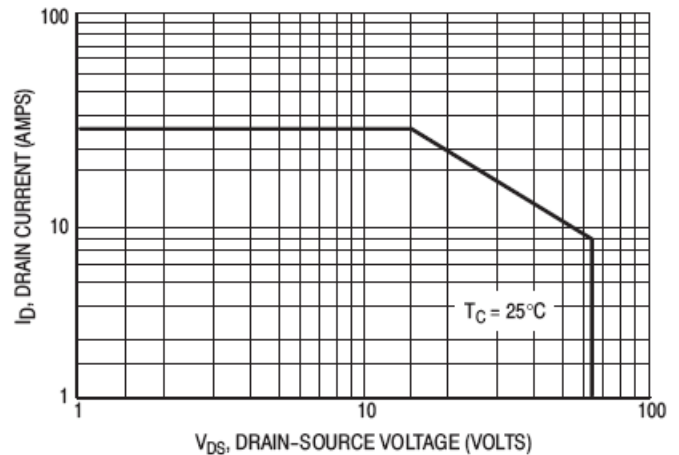


Figure 4. DC Safe Operating Area

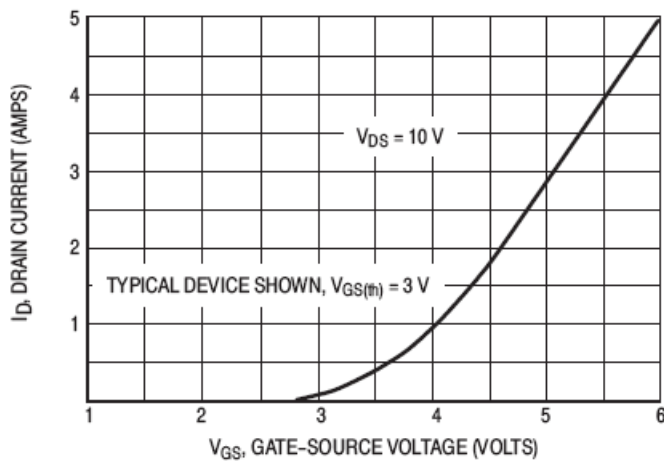


Figure 5. Drain Current versus Gate Voltage (Transfer Characteristics)

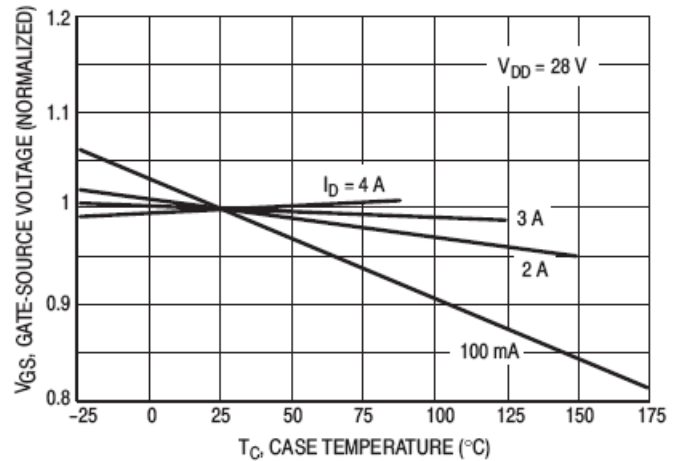


Figure 6. Gate-Source Voltage versus Case Temperature

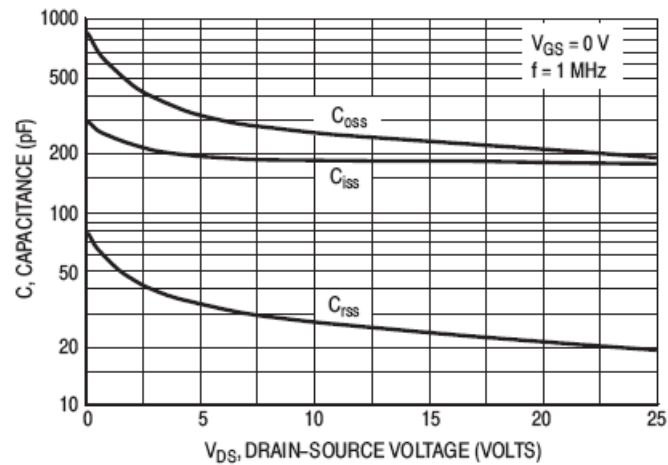


Figure 7. Capacitance versus Drain-Source Voltage*

* Data shown applies to each half of MRF175GU/GV.

TYPICAL CHARACTERISTICS MRF175GV

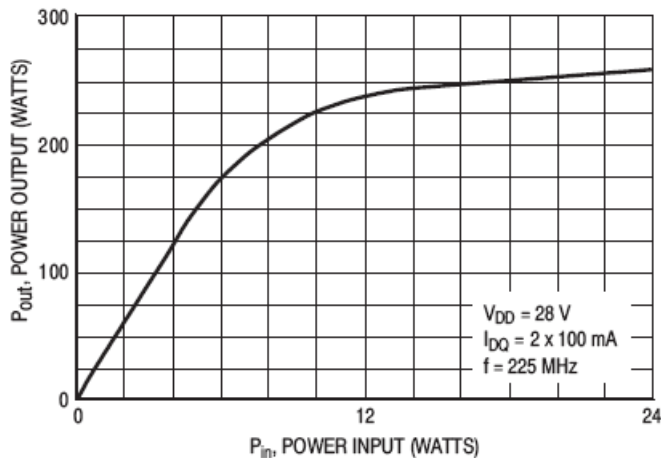


Figure 8. Power Input versus Power Output

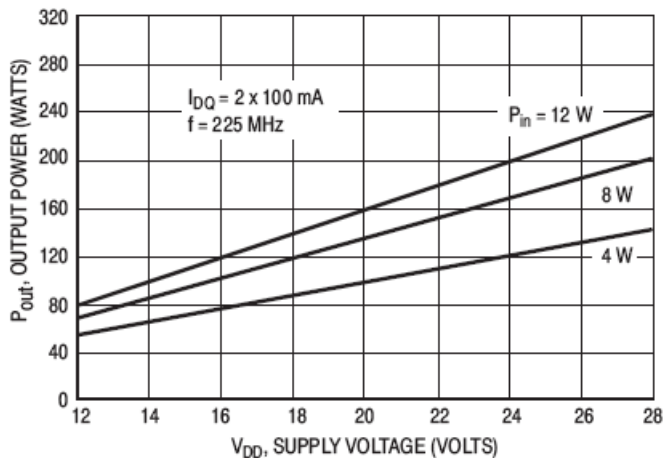


Figure 9. Output Power versus Supply Voltage

MRF175GU

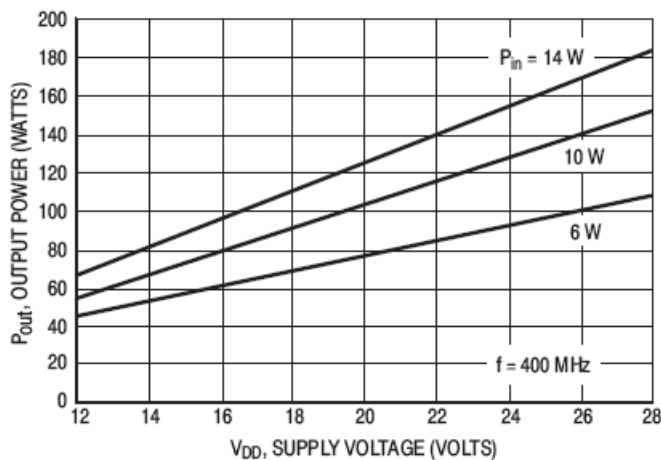


Figure 10. Output Power versus Supply Voltage

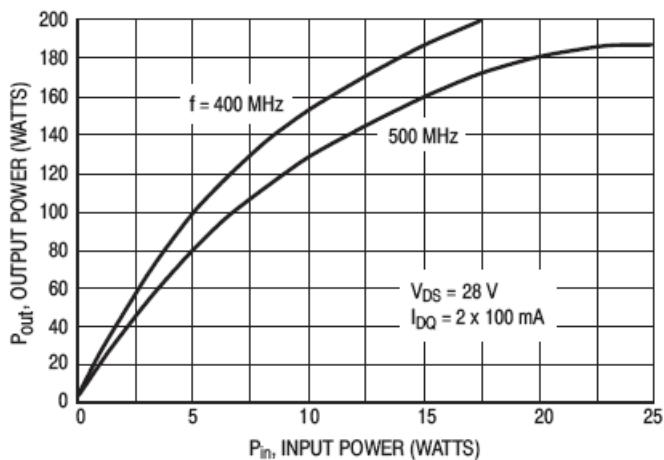


Figure 11. Output Power versus Input Power

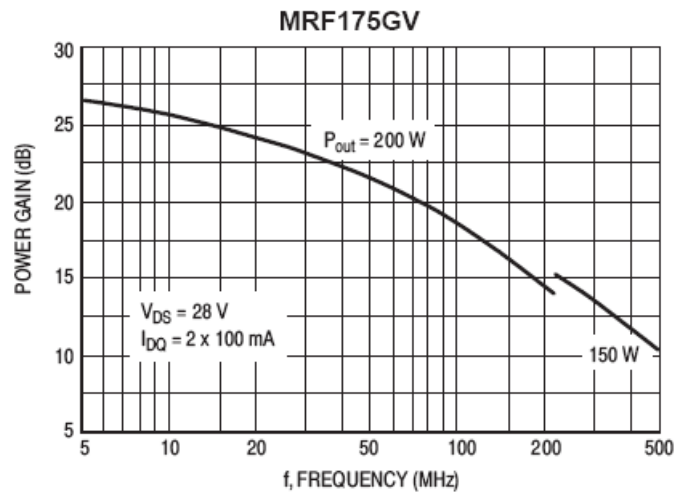


Figure 12. Power Gain versus Frequency

| f MHz | S ₁₁ | | S ₂₁ | | S ₁₂ | | S ₂₂ | |
|----------|-----------------|------|-----------------|----|-----------------|----|-----------------|------|
| | S ₁₁ | ∠φ | S ₂₁ | ∠φ | S ₁₂ | ∠φ | S ₂₂ | ∠φ |
| 50 | 0.926 | -174 | 5.43 | 81 | 0.009 | 12 | 0.861 | -177 |
| 70 | 0.924 | -176 | 3.85 | 76 | 0.009 | 6 | 0.869 | -178 |
| 80 | 0.923 | -176 | 3.35 | 73 | 0.008 | 18 | 0.864 | -178 |
| 90 | 0.921 | -177 | 2.94 | 70 | 0.008 | 17 | 0.871 | -178 |
| 100 | 0.918 | -178 | 2.57 | 68 | 0.008 | 17 | 0.875 | -178 |
| 103 | 0.920 | -178 | 2.52 | 67 | 0.007 | 23 | 0.871 | -178 |
| 105 | 0.920 | -178 | 2.47 | 67 | 0.008 | 20 | 0.875 | -179 |
| 110 | 0.921 | -178 | 2.32 | 65 | 0.008 | 21 | 0.877 | -178 |
| 120 | 0.923 | -179 | 2.08 | 63 | 0.005 | 27 | 0.862 | -178 |
| 130 | 0.928 | -179 | 1.93 | 61 | 0.008 | 34 | 0.883 | -178 |
| 135 | 0.929 | -180 | 1.86 | 60 | 0.007 | 22 | 0.887 | -178 |
| 140 | 0.929 | -180 | 1.77 | 59 | 0.009 | 27 | 0.887 | -178 |
| 145 | 0.931 | 180 | 1.68 | 58 | 0.008 | 30 | 0.890 | -178 |
| 150 | 0.931 | 180 | 1.63 | 57 | 0.007 | 39 | 0.894 | -178 |
| 155 | 0.934 | 180 | 1.55 | 56 | 0.008 | 29 | 0.891 | -178 |
| 160 | 0.936 | 180 | 1.48 | 55 | 0.007 | 35 | 0.889 | -178 |
| 165 | 0.934 | 180 | 1.44 | 54 | 0.009 | 36 | 0.888 | -178 |
| 170 | 0.936 | 179 | 1.40 | 53 | 0.008 | 38 | 0.891 | -178 |
| 175 | 0.937 | 179 | 1.34 | 52 | 0.009 | 35 | 0.893 | -178 |
| 180 | 0.941 | 179 | 1.29 | 51 | 0.009 | 40 | 0.894 | -178 |
| 185 | 0.941 | 179 | 1.25 | 50 | 0.010 | 39 | 0.897 | -178 |
| 190 | 0.939 | 179 | 1.20 | 49 | 0.009 | 49 | 0.901 | -178 |
| 192 | 0.937 | 179 | 1.18 | 49 | 0.010 | 44 | 0.904 | -178 |
| 195 | 0.935 | 179 | 1.15 | 48 | 0.010 | 44 | 0.903 | -178 |
| 200 | 0.933 | 179 | 1.12 | 47 | 0.011 | 49 | 0.903 | -179 |
| 205 | 0.923 | 178 | 1.09 | 47 | 0.012 | 46 | 0.906 | -179 |
| 210 | 0.907 | 180 | 1.04 | 46 | 0.013 | 22 | 0.911 | -179 |
| 215 | 0.930 | -180 | 1.01 | 45 | 0.008 | 27 | 0.910 | -179 |
| 220 | 0.933 | 180 | 0.99 | 45 | 0.008 | 39 | 0.912 | -179 |
| 225 | 0.935 | 179 | 0.96 | 43 | 0.009 | 37 | 0.913 | -179 |
| 230 | 0.932 | 179 | 0.92 | 43 | 0.009 | 39 | 0.915 | -179 |
| 235 | 0.933 | 178 | 0.90 | 42 | 0.009 | 43 | 0.917 | -180 |
| 240 | 0.935 | 178 | 0.87 | 41 | 0.009 | 46 | 0.918 | -180 |
| 245 | 0.936 | 178 | 0.85 | 40 | 0.009 | 56 | 0.920 | -180 |
| 250 | 0.935 | 178 | 0.82 | 39 | 0.010 | 47 | 0.921 | 180 |
| 275 | 0.948 | 176 | 0.72 | 36 | 0.009 | 55 | 0.928 | 180 |
| 300 | 0.966 | 175 | 0.64 | 33 | 0.010 | 59 | 0.932 | 179 |
| 325 | 0.969 | 175 | 0.57 | 30 | 0.012 | 66 | 0.935 | 178 |
| 350 | 0.957 | 175 | 0.51 | 27 | 0.013 | 60 | 0.939 | 178 |
| 375 | 0.939 | 174 | 0.45 | 25 | 0.015 | 80 | 0.941 | 177 |

Table 1. Common Source S-Parameters (V_{DS} = 28 V, I_D = 4.5 A) (continued)

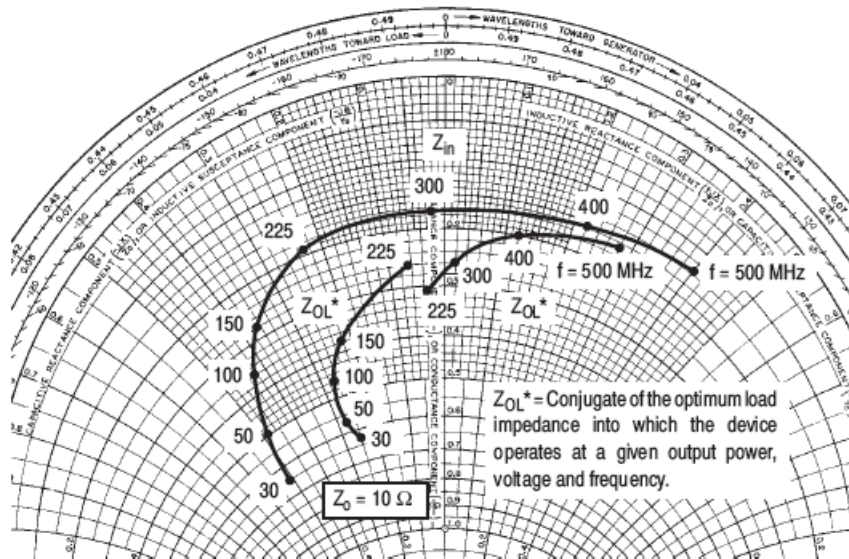
| f MHz | S ₁₁ | | S ₂₁ | | S ₁₂ | | S ₂₂ | |
|----------|-----------------|-----|-----------------|-----|-----------------|-----|-----------------|-----|
| | S ₁₁ | ∠ φ | S ₂₁ | ∠ φ | S ₁₂ | ∠ φ | S ₂₂ | ∠ φ |
| 400 | 0.943 | 172 | 0.41 | 23 | 0.017 | 75 | 0.946 | 176 |
| 405 | 0.945 | 172 | 0.40 | 22 | 0.016 | 71 | 0.946 | 176 |
| 410 | 0.948 | 171 | 0.40 | 22 | 0.016 | 68 | 0.944 | 176 |
| 415 | 0.956 | 171 | 0.39 | 21 | 0.017 | 74 | 0.949 | 176 |
| 420 | 0.963 | 171 | 0.38 | 21 | 0.018 | 72 | 0.946 | 176 |
| 425 | 0.966 | 171 | 0.37 | 20 | 0.018 | 70 | 0.947 | 176 |
| 430 | 0.968 | 170 | 0.37 | 20 | 0.019 | 72 | 0.948 | 176 |
| 435 | 0.970 | 170 | 0.36 | 19 | 0.019 | 75 | 0.949 | 175 |
| 440 | 0.971 | 170 | 0.36 | 19 | 0.019 | 73 | 0.952 | 175 |
| 445 | 0.978 | 169 | 0.32 | 17 | 0.017 | 71 | 0.965 | 177 |
| 450 | 0.978 | 169 | 0.31 | 17 | 0.019 | 70 | 0.964 | 177 |
| 455 | 0.977 | 170 | 0.31 | 17 | 0.019 | 73 | 0.965 | 177 |
| 460 | 0.978 | 170 | 0.31 | 16 | 0.019 | 70 | 0.967 | 177 |
| 465 | 0.977 | 169 | 0.30 | 16 | 0.020 | 73 | 0.963 | 177 |
| 470 | 0.973 | 169 | 0.29 | 15 | 0.021 | 71 | 0.966 | 177 |
| 475 | 0.973 | 169 | 0.29 | 15 | 0.021 | 72 | 0.967 | 177 |
| 480 | 0.970 | 169 | 0.28 | 15 | 0.022 | 71 | 0.967 | 177 |
| 485 | 0.964 | 169 | 0.28 | 14 | 0.022 | 74 | 0.963 | 176 |
| 490 | 0.960 | 169 | 0.28 | 14 | 0.022 | 73 | 0.965 | 176 |
| 495 | 0.957 | 169 | 0.27 | 14 | 0.023 | 71 | 0.963 | 176 |
| 500 | 0.957 | 169 | 0.27 | 13 | 0.023 | 71 | 0.963 | 176 |
| 505 | 0.951 | 168 | 0.26 | 13 | 0.023 | 70 | 0.966 | 176 |
| 510 | 0.948 | 168 | 0.26 | 13 | 0.022 | 68 | 0.965 | 176 |
| 515 | 0.943 | 167 | 0.25 | 13 | 0.022 | 72 | 0.966 | 175 |

Table 1. Common Source S-Parameters ($V_{DS} = 28\text{ V}$, $I_D = 4.5\text{ A}$) (continued)

| f MHz | S ₁₁ | | S ₂₁ | | S ₁₂ | | S ₂₂ | |
|----------|-----------------|-----|-----------------|-----|-----------------|-----|-----------------|-----|
| | S ₁₁ | ∠ φ | S ₂₁ | ∠ φ | S ₁₂ | ∠ φ | S ₂₂ | ∠ φ |
| 520 | 0.940 | 167 | 0.25 | 12 | 0.021 | 68 | 0.966 | 175 |
| 525 | 0.940 | 167 | 0.25 | 12 | 0.022 | 74 | 0.968 | 175 |
| 530 | 0.943 | 166 | 0.24 | 11 | 0.022 | 67 | 0.965 | 175 |
| 535 | 0.944 | 166 | 0.24 | 11 | 0.022 | 69 | 0.964 | 174 |
| 540 | 0.945 | 165 | 0.23 | 11 | 0.022 | 69 | 0.965 | 174 |
| 545 | 0.951 | 165 | 0.23 | 11 | 0.023 | 70 | 0.969 | 174 |
| 550 | 0.952 | 164 | 0.23 | 10 | 0.023 | 72 | 0.969 | 174 |
| 555 | 0.956 | 164 | 0.23 | 10 | 0.023 | 70 | 0.969 | 174 |
| 560 | 0.958 | 164 | 0.22 | 10 | 0.025 | 70 | 0.968 | 174 |
| 565 | 0.962 | 164 | 0.22 | 9 | 0.024 | 70 | 0.969 | 174 |
| 570 | 0.963 | 164 | 0.22 | 9 | 0.024 | 71 | 0.972 | 174 |
| 575 | 0.970 | 164 | 0.21 | 9 | 0.024 | 70 | 0.972 | 174 |
| 600 | 0.973 | 164 | 0.20 | 8 | 0.029 | 71 | 0.973 | 173 |
| 625 | 0.955 | 164 | 0.19 | 8 | 0.030 | 69 | 0.970 | 172 |
| 650 | 0.933 | 162 | 0.17 | 7 | 0.031 | 69 | 0.966 | 171 |
| 675 | 0.928 | 160 | 0.16 | 6 | 0.034 | 69 | 0.969 | 170 |
| 700 | 0.946 | 158 | 0.15 | 6 | 0.034 | 67 | 0.973 | 169 |
| 750 | 0.952 | 158 | 0.14 | 4 | 0.040 | 67 | 0.969 | 168 |
| 800 | 0.907 | 155 | 0.13 | 5 | 0.044 | 65 | 0.962 | 166 |
| 850 | 0.928 | 151 | 0.12 | 5 | 0.049 | 55 | 0.963 | 164 |
| 900 | 0.915 | 152 | 0.11 | 4 | 0.049 | 52 | 0.955 | 163 |
| 950 | 0.869 | 148 | 0.11 | 4 | 0.053 | 49 | 0.941 | 161 |
| 1000 | 0.902 | 146 | 0.11 | 4 | 0.055 | 44 | 0.943 | 159 |

Table 1. Common Source S-Parameters (V_{DS} = 28 V, I_D = 4.5 A) (continued)

INPUT AND OUTPUT IMPEDANCE



$V_{DD} = 28\text{ V}$, $I_{DQ} = 2 \times 100\text{ mA}$

| f MHz | Z_{in} OHMS | Z_{OL}^* OHMS |
|----------|------------------|--------------------|
|----------|------------------|--------------------|

($P_{out} = 150\text{ W}$)

| | | |
|-----|--------------|--------------|
| 225 | 1.95 - j2.30 | 3.10 - j0.25 |
| 300 | 1.75 - j0.20 | 2.60 + j0.20 |
| 400 | 1.60 + j2.20 | 2.00 + j1.20 |
| 500 | 1.35 + j4.00 | 1.70 + j2.70 |

($P_{out} = 200\text{ W}$)

| | | |
|-----|--------------|--------------|
| 30 | 6.50 - j5.10 | 6.30 - j2.50 |
| 50 | 5.00 - j4.80 | 5.75 - j2.75 |
| 100 | 3.60 - j4.20 | 4.60 - j2.65 |
| 150 | 2.80 - j3.60 | 2.60 - j2.20 |
| 225 | 1.95 - j2.30 | 2.60 - j0.60 |

NOTE: Input and output impedance values given are measured from gate to gate and drain to drain respectively.

Figure 13. Series Equivalent Input/Output Impedance

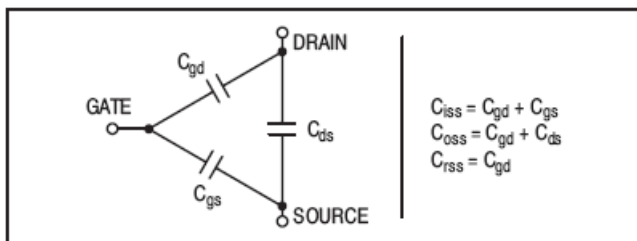
RF POWER MOSFET CONSIDERATIONS

MOSFET CAPACITANCES

The physical structure of a MOSFET results in capacitors between the terminals. The metal oxide gate structure determines the capacitors from gate-to-drain (C_{gd}), and gate-to-source (C_{gs}). The PN junction formed during the fabrication of the MOSFET results in a junction capacitance from drain-to-source (C_{ds}).

These capacitances are characterized as input (C_{iss}), output (C_{oss}) and reverse transfer (C_{rss}) capacitances on data sheets. The relationships between the inter-terminal capacitances and those given on data sheets are shown below. The C_{iss} can be specified in two ways:

1. Drain shorted to source and positive voltage at the gate.
2. Positive voltage of the drain in respect to source and zero volts at the gate. In the latter case the numbers are lower. However, neither method represents the actual operating conditions in RF applications.



The C_{iss} given in the electrical characteristics table was measured using method 2 above. It should be noted that C_{iss} , C_{oss} , C_{rss} are measured at zero drain current and are provided for general information about the device. They are not RF design parameters and no attempt should be made to use them as such.

LINEARITY AND GAIN CHARACTERISTICS

In addition to the typical IMD and power gain, data presented in Figure 3 may give the designer additional information on the capabilities of this device. The graph represents the small signal unity current gain frequency at a given drain current level. This is equivalent to f_T for bipolar transistors. Since this test is performed at a fast sweep speed, heating of the device does not occur. Thus, in normal use, the high temperatures may degrade these characteristics to some extent.

DRAIN CHARACTERISTICS

One figure of merit for a FET is its static resistance in the full-on condition. This on-resistance, $V_{DS(on)}$, occurs in the linear region of the output characteristic and is specified

under specific test conditions for gate-source voltage and drain current. For MOSFETs, $V_{DS(on)}$ has a positive temperature coefficient and constitutes an important design consideration at high temperatures, because it contributes to the power dissipation within the device.

GATE CHARACTERISTICS

The gate of the MOSFET is a polysilicon material, and is electrically isolated from the source by a layer of oxide. The input resistance is very high — on the order of 10^9 ohms — resulting in a leakage current of a few nanoamperes. Gate control is achieved by applying a positive voltage slightly in excess of the gate-to-source threshold voltage, $V_{GS(th)}$.

Gate Voltage Rating — Never exceed the gate voltage rating (or any of the maximum ratings on the front page). Exceeding the rated V_{GS} can result in permanent damage to the oxide layer in the gate region.

Gate Termination — The gates of this device are essentially capacitors. Circuits that leave the gate open-circuited or floating should be avoided. These conditions can result in turn-on of the devices due to voltage build-up on the input capacitor due to leakage currents or pickup.

Gate Protection — These devices do not have an internal monolithic zener diode from gate-to-source. If gate protection is required, an external zener diode is recommended. Using a resistor to keep the gate-to-source impedance low also helps damp transients and serves another important function. Voltage transients on the drain can be coupled to the gate through the parasitic gate-drain capacitance. If the gate-to-source impedance and the rate of voltage change on the drain are both high, then the signal coupled to the gate may be large enough to exceed the gate-threshold voltage and turn the device on.

HANDLING CONSIDERATIONS

When shipping, the devices should be transported only in antistatic bags or conductive foam. Upon removal from the packaging, careful handling procedures should be adhered to. Those handling the devices should wear grounding straps and devices not in the antistatic packaging should be kept in metal tote bins. MOSFETs should be handled by the case and not by the leads, and when testing the device, all leads should make good electrical contact before voltage is applied. As a final note, when placing the FET into the system it is designed for, soldering should be done with grounded equipment.

DESIGN CONSIDERATIONS

The MRF175G is a RF power N-channel enhancement mode field-effect transistor (FETs) designed for HF, VHF and

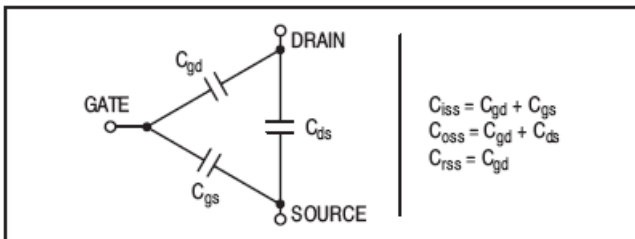
RF POWER MOSFET CONSIDERATIONS

MOSFET CAPACITANCES

The physical structure of a MOSFET results in capacitors between the terminals. The metal oxide gate structure determines the capacitors from gate-to-drain (C_{gd}), and gate-to-source (C_{gs}). The PN junction formed during the fabrication of the MOSFET results in a junction capacitance from drain-to-source (C_{ds}).

These capacitances are characterized as input (C_{iss}), output (C_{oss}) and reverse transfer (C_{rss}) capacitances on data sheets. The relationships between the inter-terminal capacitances and those given on data sheets are shown below. The C_{iss} can be specified in two ways:

1. Drain shorted to source and positive voltage at the gate.
2. Positive voltage of the drain in respect to source and zero volts at the gate. In the latter case the numbers are lower. However, neither method represents the actual operating conditions in RF applications.



The C_{iss} given in the electrical characteristics table was measured using method 2 above. It should be noted that C_{iss} , C_{oss} , C_{rss} are measured at zero drain current and are provided for general information about the device. They are not RF design parameters and no attempt should be made to use them as such.

LINEARITY AND GAIN CHARACTERISTICS

In addition to the typical IMD and power gain, data presented in Figure 3 may give the designer additional information on the capabilities of this device. The graph represents the small signal unity current gain frequency at a given drain current level. This is equivalent to f_T for bipolar transistors. Since this test is performed at a fast sweep speed, heating of the device does not occur. Thus, in normal use, the higher temperatures may degrade these characteristics to some extent.

DRAIN CHARACTERISTICS

One figure of merit for a FET is its static resistance in the full-on condition. This on-resistance, $V_{DS(on)}$, occurs in the

linear region of the output characteristic and is specified under specific test conditions for gate-source voltage and drain current. For MOSFETs, $V_{DS(on)}$ has a positive temperature coefficient and constitutes an important design consideration at high temperatures, because it contributes to the power dissipation within the device.

GATE CHARACTERISTICS

The gate of the MOSFET is a polysilicon material, and is electrically isolated from the source by a layer of oxide. The input resistance is very high — on the order of 10^9 ohms — resulting in a leakage current of a few nanoamperes. Gate control is achieved by applying a positive voltage slightly in excess of the gate-to-source threshold voltage, $V_{GS(th)}$.

Gate Voltage Rating — Never exceed the gate voltage rating (or any of the maximum ratings on the front page). Exceeding the rated V_{GS} can result in permanent damage to the oxide layer in the gate region.

Gate Termination — The gates of this device are essentially capacitors. Circuits that leave the gate open-circuited or floating should be avoided. These conditions can result in turn-on of the devices due to voltage build-up on the input capacitor due to leakage currents or pickup.

Gate Protection — These devices do not have an internal monolithic zener diode from gate-to-source. If gate protection is required, an external zener diode is recommended. Using a resistor to keep the gate-to-source impedance low also helps damp transients and serves another important function. Voltage transients on the drain can be coupled to the gate through the parasitic gate-drain capacitance. If the gate-to-source impedance and the rate of voltage change on the drain are both high, then the signal coupled to the gate may be large enough to exceed the gate-threshold voltage and turn the device on.

HANDLING CONSIDERATIONS

When shipping, the devices should be transported only in antistatic bags or conductive foam. Upon removal from the packaging, careful handling procedures should be adhered to. Those handling the devices should wear grounding straps and devices not in the antistatic packaging should be kept in metal tote bins. MOSFETs should be handled by the case and not by the leads, and when testing the device, all leads should make good electrical contact before voltage is applied. As a final note, when placing the FET into the system it is designed for, soldering should be done with grounded equipment.

DESIGN CONSIDERATIONS

The MRF175G is a RF power N-channel enhancement mode field-effect transistor (FETs) designed for HF, VHF and UHF power amplifier applications. M/A-COM RF MOS-FETs feature a vertical structure with a planar design. M/A-

COM Application Note AN211A, FETs in Theory and Practice, is suggested reading for those not familiar with the construction and characteristics of FETs.

The major advantages of RF power FETs include high gain, low noise, simple bias systems, relative immunity from thermal runaway, and the ability to withstand severely mismatched loads without suffering damage. Power output can be varied over a wide range with a low power dc control signal.

DC BIAS

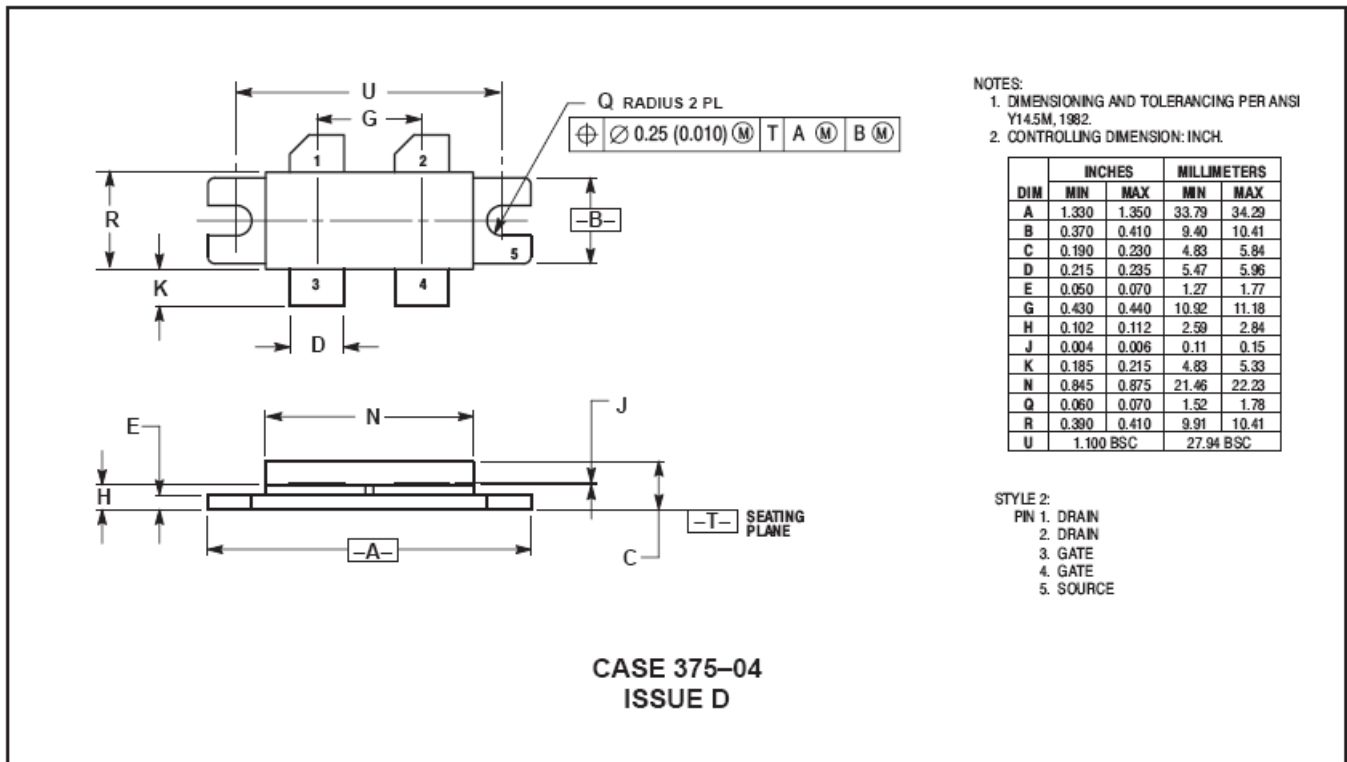
The MRF175G is an enhancement mode FET and, therefore, does not conduct when drain voltage is applied. Drain current flows when a positive voltage is applied to the gate.

RF power FETs require forward bias for optimum performance. The value of quiescent drain current (I_{DQ}) is not critical for many applications. The MRF175G was characterized at $I_{DQ} = 100 \text{ mA}$, each side, which is the suggested minimum value of I_{DQ} . For special applications such as linear amplification, I_{DQ} may have to be selected to optimize the critical parameters. The gate is a dc open circuit and draws no current. Therefore, the gate bias circuit may be just a simple resistive divider network. Some applications may require a more elaborate bias system.

GAIN CONTROL

Power output of the MRF175G may be controlled from its rated value down to zero (negative gain) by varying the dc gate voltage. This feature facilitates the design of manual gain control, AGC/ALC and modulation systems.

PACKAGE DIMENSIONS



M/A-COM Technology Solutions Inc. All rights reserved.

Information in this document is provided in connection with M/A-COM Technology Solutions Inc ("MACOM") products. These materials are provided by MACOM as a service to its customers and may be used for informational purposes only. Except as provided in MACOM's Terms and Conditions of Sale for such products or in any separate agreement related to this document, MACOM assumes no liability whatsoever. MACOM assumes no responsibility for errors or omissions in these materials. MACOM may make changes to specifications and product descriptions at any time, without notice. MACOM makes no commitment to update the information and shall have no responsibility whatsoever for conflicts or incompatibilities arising from future changes to its specifications and product descriptions. No license, express or implied, by estoppel or otherwise, to any intellectual property rights is granted by this document.

THESE MATERIALS ARE PROVIDED "AS IS" WITHOUT WARRANTY OF ANY KIND, EITHER EXPRESS OR IMPLIED, RELATING TO SALE AND/OR USE OF MACOM PRODUCTS INCLUDING LIABILITY OR WARRANTIES RELATING TO FITNESS FOR A PARTICULAR PURPOSE, CONSEQUENTIAL OR INCIDENTAL DAMAGES, MERCHANTABILITY, OR INFRINGEMENT OF ANY PATENT, COPYRIGHT OR OTHER INTELLECTUAL PROPERTY RIGHT. MACOM FURTHER DOES NOT WARRANT THE ACCURACY OR COMPLETENESS OF THE INFORMATION, TEXT, GRAPHICS OR OTHER ITEMS CONTAINED WITHIN THESE MATERIALS. MACOM SHALL NOT BE LIABLE FOR ANY SPECIAL, INDIRECT, INCIDENTAL, OR CONSEQUENTIAL DAMAGES, INCLUDING WITHOUT LIMITATION, LOST REVENUES OR LOST PROFITS, WHICH MAY RESULT FROM THE USE OF THESE MATERIALS.

MACOM products are not intended for use in medical, lifesaving or life sustaining applications. MACOM customers using or selling MACOM products for use in such applications do so at their own risk and agree to fully indemnify MACOM for any damages resulting from such improper use or sale.

Mouser Electronics

Authorized Distributor

Click to View Pricing, Inventory, Delivery & Lifecycle Information:

[MACOM:](#)

[MRF175GV](#) [MRF175GU](#)