

## Features

- Frequency Range: LO & RF 80 – 2500 MHz, IF DC – 1000 MHz
- L.O. Drive : +7 dBm
- Industry Standard SMT package
- Available in Tape-and -Reel
- Low Cost

## Description

The MXJ-2501-7 is a low-medium drive level, surface mount mixer designed for applications that require small, low cost and highly reliable surface mount components. This mixer is a double/double-balanced design for wideband, high dynamic range use in communications up and down-converter applications.

## SURFACE MOUNT MIXER



## Specifications

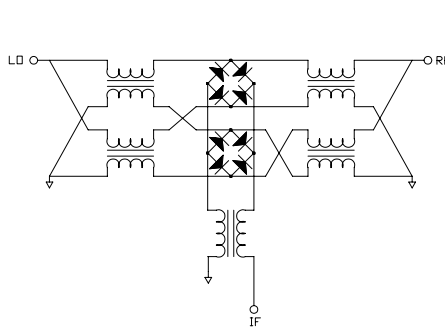
Parameter	Min	Typ	Max	Min	Typ	Max
Frequency Range (MHz)	1		1500	1500		2500
Conversion Loss (dB)		7.0	7.5		7.5	9
LO – RF Isolation (dB)	25	30		20	25	
LO – IF Isolation (dB)	20	25		15	20	
IIP <sub>3</sub> (dBm)		15			15	

## Absolute Maximum Ratings

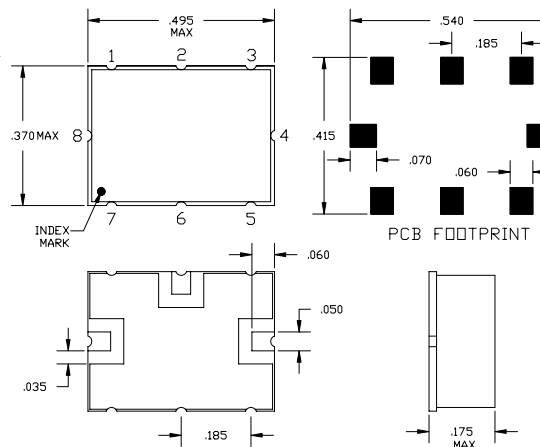
Parameter	Maximum
RF Power	+ 13 dBm
Operating Temperature	-50 to +80 °C
Storage Temperature	-65 to +100 °C
Re-flow Temperature	+ 240 °C

Notes: Test Conditions-LO +7dBm, RF -10 dBm, IF 30 MHz  
 Frequency Range-RF/LO 80 – 2500 MHz, IF DC – 1000 MHz  
 Typical values represent Mid-band performance @ 25°.

## Schematic



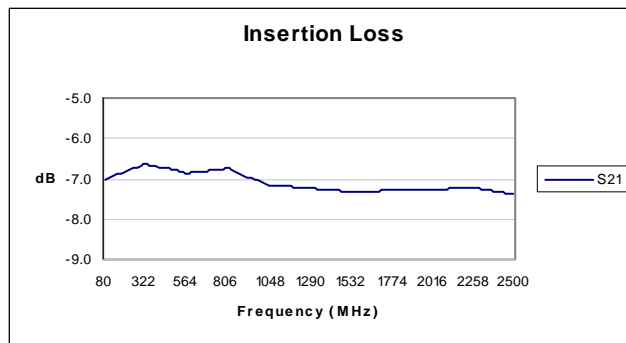
## Package – S05



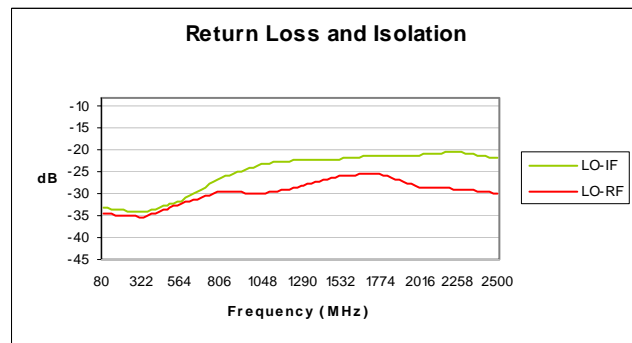
## Pin Functions

Function	Pin
LO INPUT	8
RF INPUT	4
IF OUTPUT	6
GROUND	1,2,3,5,7

Typical Test Data – Conversion Loss



Typical Test Data – LO-RF and LO-IF Isolation



Specifications and information on this data sheet are subject to change without notice.