



Size 1008 (EIA) or 2520 (IEC)  
Rated inductance 0,010 to 100  $\mu$ H  
Rated current 10 to 280 mA



### Construction

- Ferrite core
- Molded epoxy encapsulation

### Features

- High Q factor
- High resonance frequency
- Suitable for reflow (IR and vapor phase) and wave soldering

### Applications

- Filtering of supply voltages, coupling, decoupling
- Antenna systems
- Automotive electronics
- Telecommunications

### Terminals

- Electro-plated
- 2–4  $\mu$ m Ni,  $\geq$  5  $\mu$ m Sn60Pb40
- Base material phosphor bronze

### Marking

Marking on component:  
 $L$  value (in  $\mu$ H)

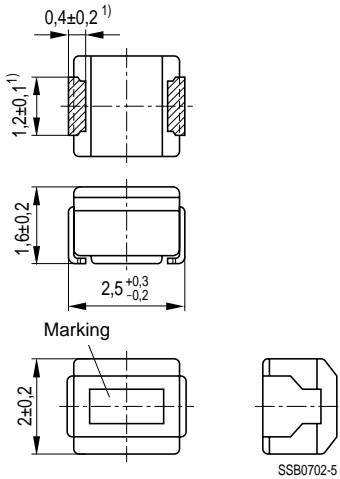
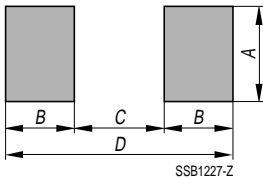
Minimum data on reel:  
Manufacturer, part number, ordering code,  
 $L$  value and tolerance of  $L$  value,  
quantity, date of packing

### Delivery mode

8-mm blister tape, wound on 178-mm  $\varnothing$  reel  
For details on taping, packing and packing units [see page 153](#)


**General technical data**

Rated inductance $L_R$	Measured with impedance analyzer HP 4191A at frequency $f_L$
Q factor $Q_{\min}$	Measured with impedance analyzer HP 4191A at frequency $f_Q$
Rated current $I_R$	Maximum permissible dc with inductance decrease $\Delta L/L_0 \leq 10\%$ and temperature increase of $\leq 20\text{ K}$ at rated temperature of $85^\circ\text{C}$
Self-resonance frequency $f_{\text{res, min}}$	Measured with network analyzer HP 8753
DC resistance $R_{\max}$	Measured at $20^\circ\text{C}$ ambient temperature, measuring current $< I_R$
Climatic category	In accordance with IEC 60068-1 55/085/56 ( $-55^\circ\text{C}/+85^\circ\text{C}/56$ days damp heat test)
Solderability	In accordance with IEC 60062-2-58 ( $230 \pm 5$ ) $^\circ\text{C}$ , ( $3 \pm 0,5$ ) s Wetting of soldering area: $\geq 90\%$
Resistance to soldering heat	In accordance with IEC 60068-2-20 $260^\circ\text{C}$ , 10 s $\Delta L/L \leq \pm 5\%$ ; $\Delta Q/Q \leq \pm 20\%$ after 5 minutes preheating at $120^\circ\text{C}$
Permissible PCB bending	2 mm (100 mm long standard PCB)
Weight	Approx. 21 mg

**Dimensional drawing**

**Layout recommendation**


Dimensions (mm)	A	B	C	D
Wave soldering	1,2	1,25	1,5	4,0
Reflow soldering	1,6	1,05	1,5	3,5

1) Soldering area, tinned


**Characteristics and ordering codes**

$L_R$ $\mu\text{H}$	Tolerance	$Q_{\min}$	$f_L; f_Q$ MHz	$I_R$ mA	$R_{\max}$ $\Omega$	$f_{\text{res, min}}$ MHz	Ordering code
<b>Non-shielded</b>							
0,010	$\pm 10\%$ $\triangleq K$	10	100	280	0,32	2500	B82494-A1100-K
0,012		10	100	270	0,34	2200	B82494-A1120-K
0,015		10	100	255	0,38	1800	B82494-A1150-K
0,018		10	100	250	0,40	1550	B82494-A1180-K
0,022		15	100	240	0,43	1350	B82494-A1220-K
0,027		15	100	230	0,47	1150	B82494-A1270-K
0,033		15	100	220	0,51	1000	B82494-A1330-K
0,039		15	100	215	0,55	890	B82494-A1390-K
0,047		15	100	205	0,59	770	B82494-A1470-K
0,056		15	100	200	0,63	670	B82494-A1560-K
0,068		15	100	190	0,68	590	B82494-A1680-K
0,082		15	100	185	0,73	520	B82494-A1820-K
0,10		10	25,2	175	0,80	460	B82494-A1101-K
0,12		10	25,2	170	0,87	400	B82494-A1121-K
0,15		10	25,2	160	0,98	340	B82494-A1151-K
0,18		10	25,2	155	1,05	300	B82494-A1181-K
0,22		25	25,2	190	0,70	230	B82494-A1221-K
0,27		25	25,2	180	0,75	210	B82494-A1271-K
0,33		25	25,2	170	0,85	190	B82494-A1331-K
0,39		25	25,2	160	0,95	175	B82494-A1391-K
0,47	25	25,2	155	1,00	160	B82494-A1471-K	
0,56	25	25,2	150	1,10	150	B82494-A1561-K	
0,68	25	25,2	140	1,25	135	B82494-A1681-K	
0,82	25	25,2	130	1,40	125	B82494-A1821-K	
1,0	25	7,96	195	0,65	115	B82494-A1102-K	
1,2	25	7,96	180	0,75	100	B82494-A1122-K	
1,5	25	7,96	170	0,85	90	B82494-A1152-K	
1,8	25	7,96	160	0,95	85	B82494-A1182-K	
2,2	25	7,96	155	1,05	80	B82494-A1222-K	
2,7	25	7,96	145	1,20	75	B82494-A1272-K	
3,3	25	7,96	135	1,30	65	B82494-A1332-K	
3,9	25	7,96	130	1,40	60	B82494-A1392-K	
4,7	25	7,96	125	1,55	55	B82494-A1472-K	


**Characteristics and ordering codes (continued)**

$L_R$ $\mu\text{H}$	Tolerance	$Q_{\min}$	$f_L; f_Q$ MHz	$I_R$ mA	$R_{\max}$ $\Omega$	$f_{\text{res, min}}$ MHz	Ordering code
<b>Non-shielded</b>							
5,6	$\pm 10\%$ $\triangleq K$	25	7,96	120	1,75	50	B82494-A1562-K
6,8		25	7,96	115	1,95	45	B82494-A1682-K
8,2		25	7,96	105	2,2	40	B82494-A1822-K
10		25	2,52	80	3,5	32	B82494-A1103-K
12		25	2,52	75	3,8	30	B82494-A1123-K
15		25	2,52	70	4,4	28	B82494-A1153-K
18		25	2,52	65	5,0	25	B82494-A1183-K
22		25	2,52	60	5,8	22	B82494-A1223-K
27		20	2,52	115	6,3	21	B82494-A1273-K
33		20	2,52	110	7,1	20	B82494-A1333-K
39		20	2,52	90	9,5	18	B82494-A1393-K
47		20	2,52	80	11,0	17	B82494-A1473-K
56		20	2,52	75	12,1	16	B82494-A1563-K
68		20	2,52	70	16,6	15	B82494-A1683-K
82		20	2,52	65	19,0	13	B82494-A1823-K
100		15	0,796	60	21,0	12	B82494-A1104-K
<b>Shielded<sup>1)</sup></b>							
27	$\pm 10\%$ $\triangleq K$	40	2,52	18	4,5	20	B82494-G1273-K
33		40	2,52	14	5,2	18	B82494-G1333-K
39		40	2,52	13	5,7	15	B82494-G1393-K
47		40	2,52	12	6,6	14	B82494-G1473-K
56		40	2,52	10	7,1	13	B82494-G1563-K
68		25	2,52	17	6,5	13	B82494-G1683-K
82		25	2,52	14	7,4	13	B82494-G1823-K
100		25	0,796	10	8,4	12	B82494-G1104-K

1) Not for new design