

Resistors

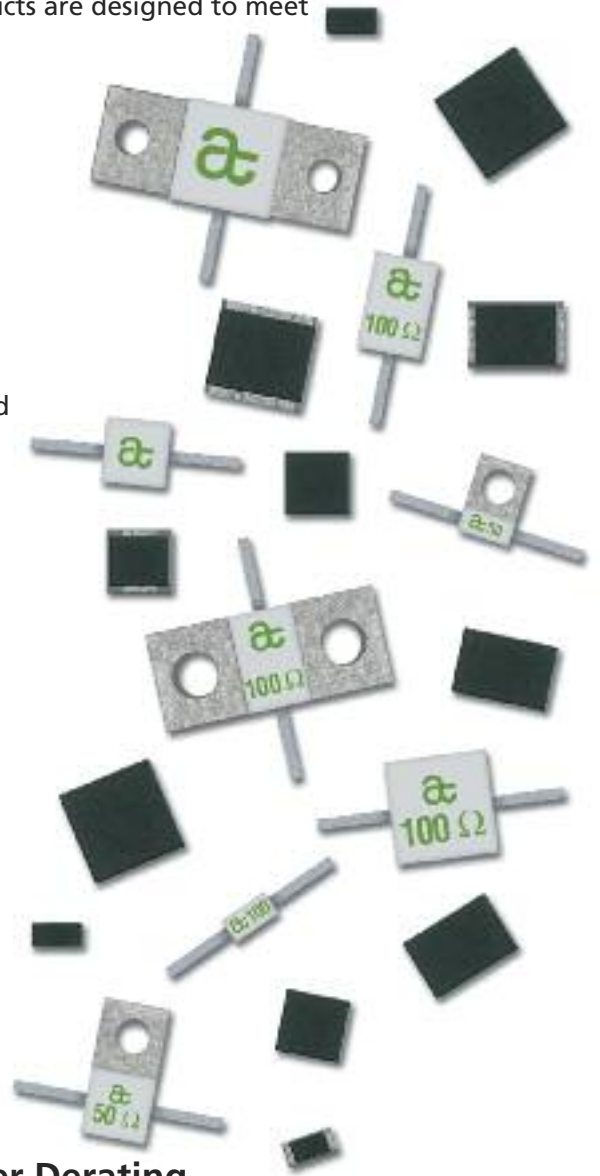
American Technical Ceramics introduces its complete line of High Power Resistive Products. All Products are designed and manufactured at our ISO 9001 Facilities. All products are designed to meet MIL-PRF-55342 and ATC qualification procedure JP625-4102.

Electrical Specifications

- **Resistance:** 50 and 100 Ω standard (10 Ω - 200 Ω available)
- **Resistance Tolerance:** $\pm 5\%$ standard ($\pm 2\%$ available)
- **Power:** 4 Watts through 250 Watts
- **Operating Temperature Range:** -55°C - $+150^{\circ}\text{C}$
- **Temperature Coefficient:** < 150 ppm/ $^{\circ}\text{C}$
- **Low Capacitance**

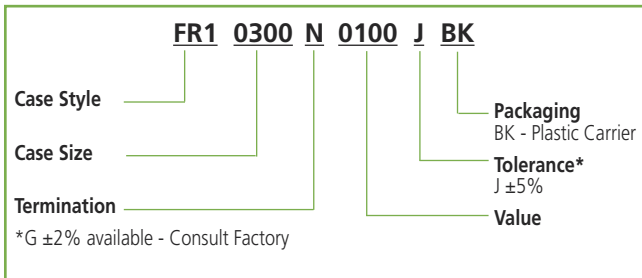
Mechanical Specifications

- **Package:** Surface Mount Chips, Chips, Leaded Chips, Flanged
- **Substrate Material:** Aluminum Nitride
- **Process:** Thin Film
- **Resistive Material:** Tantalum
- **Terminals:** Silver
- **Cover:** Alumina
- **Mounting Flange:** 100% Cu, Ni or Ag Plated
- **Mechanical Tolerance:** $\pm .005$
- **SMT and Chip products, supplied on Tape and Reel**
- **Non-Magnetic**
(exception CS and CW Style Surface Mount Resistors)
- **Lead-Free, RoHS Compliant**

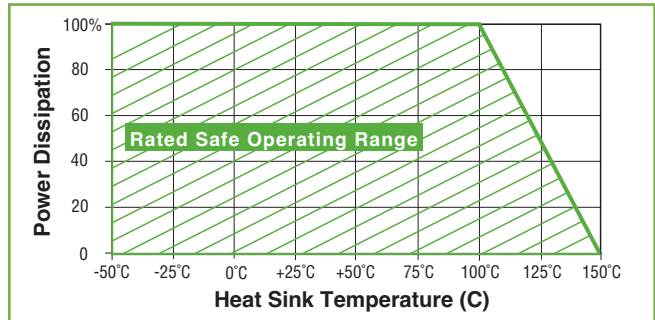


ATC Flange Mount Resistors

Part Number Code



Power Derating



Sales of ATC products are subject to the terms and conditions contained in American Technical Ceramics Corp. Terms and Conditions of Sale (ATC document #001-992 Rev. B 12/05). Copies of these terms and conditions will be provided upon request. They may also be viewed on ATC's website at www.atceramics.com/productfinder/default.asp. Click on the link for Terms and Conditions of Sale.

ATC has made every effort to have this information as accurate as possible. However, no responsibility is assumed by ATC for its use, nor for any infringements of rights of third parties which may result from its use. ATC reserves the right to revise the content or modify its product without prior notice.

© 2012 American Technical Ceramics Corp. All Rights Reserved.

Excerpt from ATC # 001-944; Rev. U, 11/14

A M E R I C A N T E C H N I C A L C E R A M I C S

ATC North America
sales@atceramics.com

ATC Europe
sales@atceramics.com

ATC Asia
sales@atceramics-asia.com

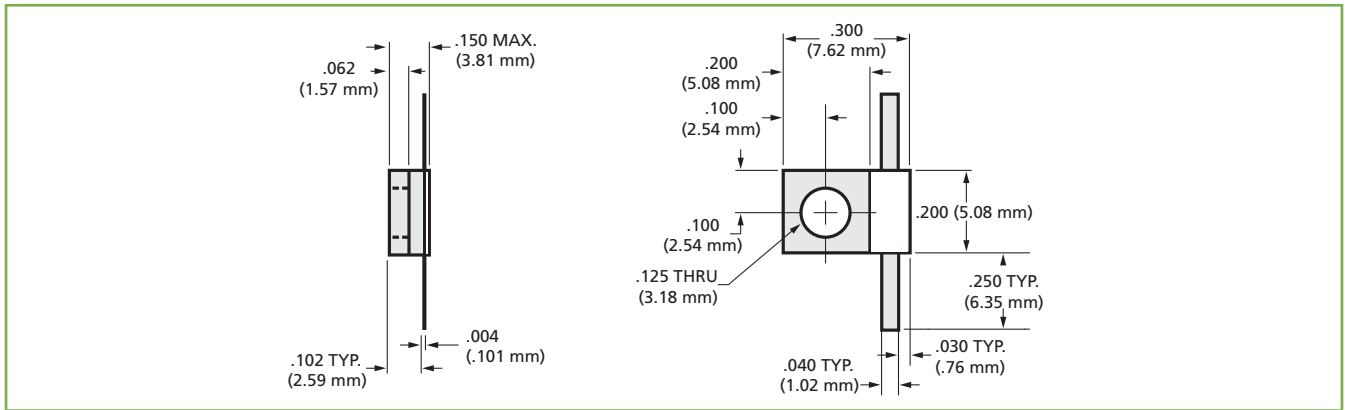
www.atceramics.com

High Power, Flange Mount Resistor

P/N: FR10300NxxxxJ

General Specifications

- Resistance: 100 Ω standard (other Ω values available)
- Resistive Tolerance: ±5% standard (±2% available)
- Power: 20 Watts • Capacitance: 1.0 pF
- Operating Temperature Range: -55°C to +150°C
- Temperature Coefficient: <150 ppm/°C
- Tabs: Silver
- Lead-Free, RoHS Compliant
- Non-Magnetic available

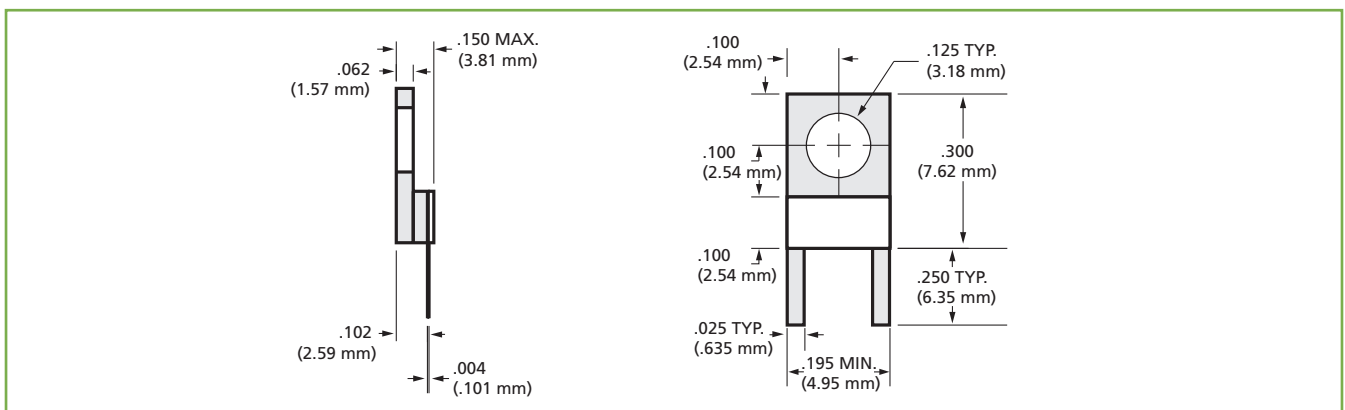


High Power, Flange Mount Resistor

P/N: FR10302NxxxxJ

General Specifications

- Resistance: 100 Ω standard (other Ω values available)
- Resistive Tolerance: ±5% standard (±2% available)
- Power: 20 Watts • Capacitance: 1.0pF
- Operating Temperature Range: -55 to +150°C
- Temperature Coefficient: <150 ppm/°C
- Tabs: Silver
- Lead-Free, RoHS Compliant
- Non-Magnetic available



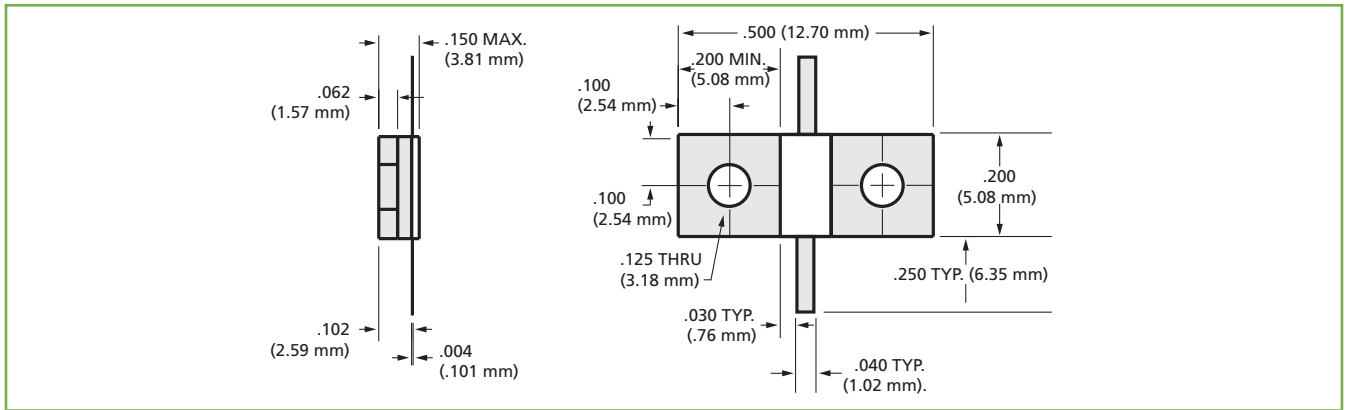
For Part Number Code, see page 1.

High Power, Flange Mount Resistor

P/N: FR10500NxxxxJ

General Specifications

- Resistance: 100 Ω standard (other Ω values available)
- Resistive Tolerance: $\pm 5\%$ standard ($\pm 2\%$ available)
- Power: 25 Watts • Capacitance: 1.0pF
- Operating Temperature Range: -55 to +150°C
- Temperature Coefficient: <150 ppm/°C
- Tabs: Silver
- Lead-Free, RoHS Compliant
- Non-Magnetic available

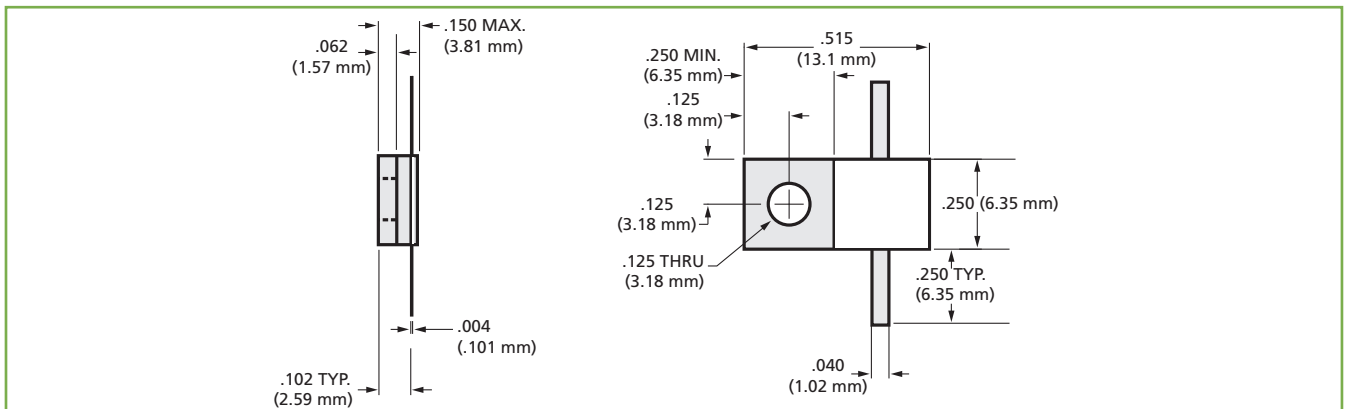


High Power, Flange Mount Resistor

P/N: FR10515NxxxxJ

General Specifications

- Resistance: 100 Ω standard (other Ω values available)
- Resistive Tolerance: $\pm 5\%$ standard ($\pm 2\%$ available)
- Power: 60 Watts • Capacitance: 2.0 pF
- Operating Temperature Range: -55°C to +150°C
- Temperature Coefficient: <150 ppm/°C
- Tabs: Silver
- Lead-Free, RoHS Compliant
- Non-Magnetic available



For Part Number Code, see page 1.

A M E R I C A N T E C H N I C A L C E R A M I C S

ATC North America
sales@atceramics.com

ATC Europe
sales@atceramics.com

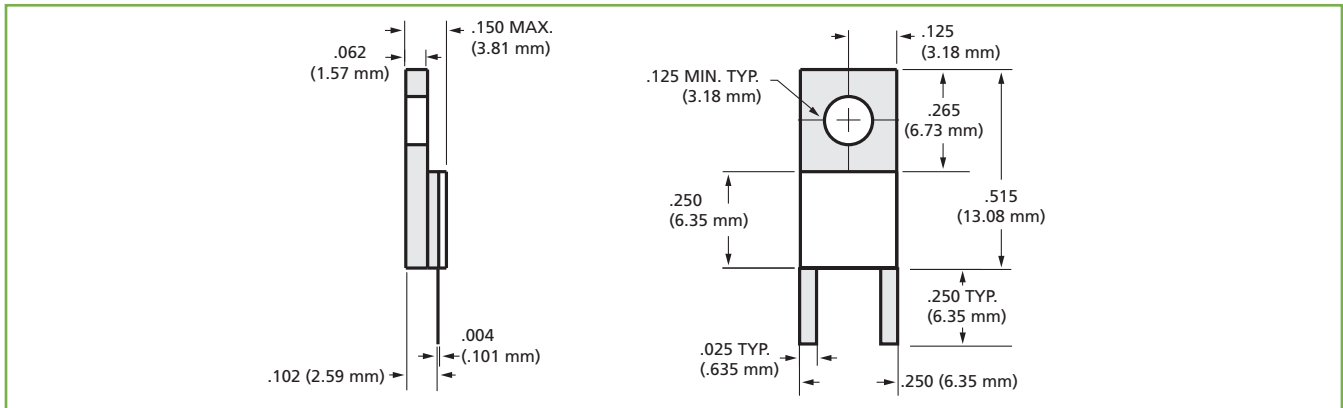
ATC Asia
sales@atceramics-asia.com

High Power, Flange Mount Resistor

P/N: FR10517NxxxxJ

General Specifications

- Resistance: 100 Ω standard (other Ω values available)
- Resistive Tolerance: ±5% standard (±2% available)
- Power: 60 Watts • Capacitance: 2.2 pF
- Operating Temperature Range: -55 to +150°C
- Temperature Coefficient: <150 ppm/°C
- Tabs: Silver
- Lead-Free, RoHS Compliant
- Non-Magnetic available

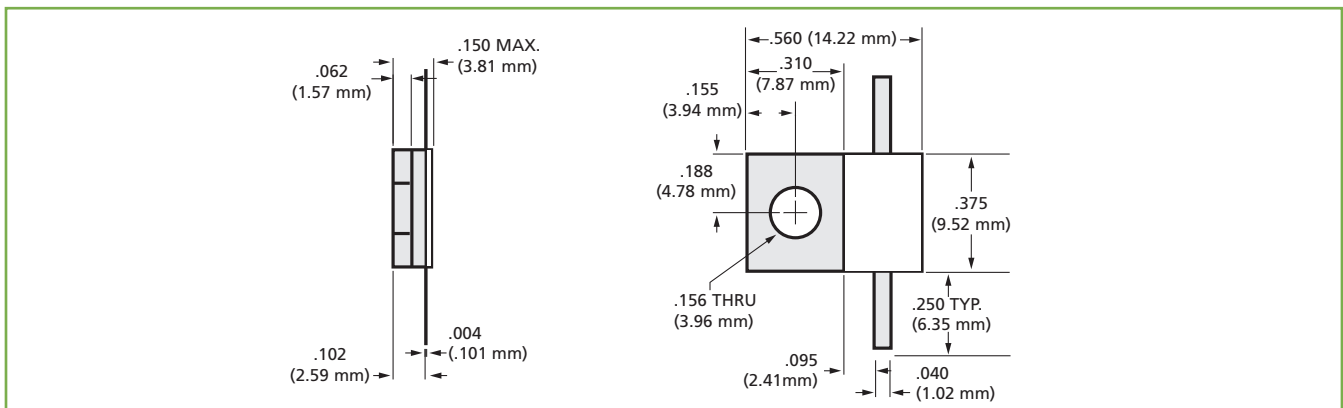


High Power, Flange Mount Resistor

P/N: FR10560NxxxxJ

General Specifications

- Resistance: 100 Ω standard (other Ω values available)
- Resistive Tolerance: ±5% standard (±2% available)
- Power: 75 Watts • Capacitance: 4.15 pF
- Operating Temperature Range: -55°C to +150°C
- Temperature Coefficient: <150 ppm/°C
- Tabs: Silver
- Lead-Free, RoHS Compliant
- Non-Magnetic available



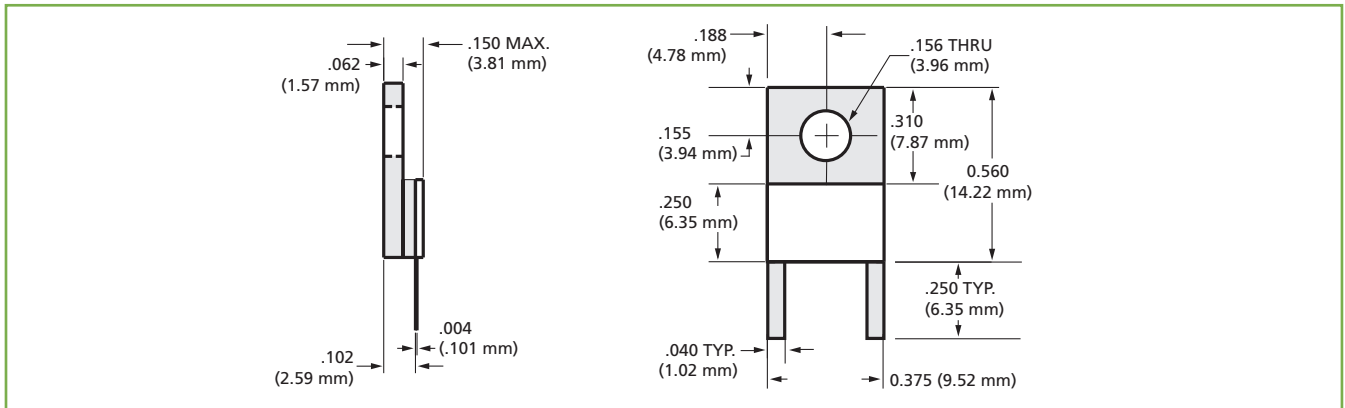
For Part Number Code, see page 1.

High Power, Flange Mount Resistor

P/N: FR10562NxxxxJ

General Specifications

- Resistance: 100 Ω standard (other Ω values available)
- Resistive Tolerance: ±5% standard (±2% available)
- Power: 75 Watts • Capacitance: 4.15 pF
- Operating Temperature Range: -55 to +150°C
- Temperature Coefficient: <150 ppm/°C
- Tabs: Silver
- Lead-Free, RoHS Compliant
- Non-Magnetic available

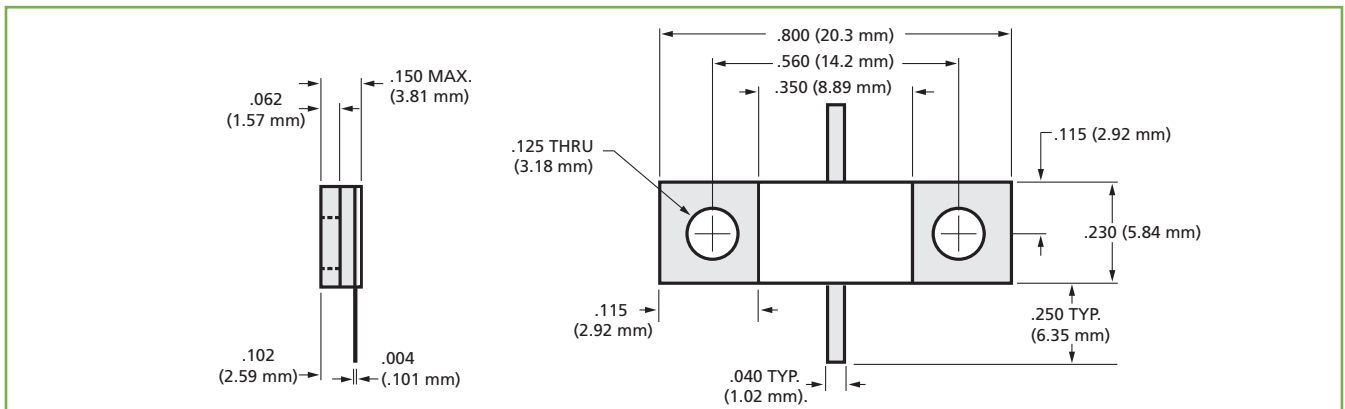


High Power, Flange Mount Resistor

P/N: FR10800NxxxxJ

General Specifications

- Resistance: 100 Ω standard (other Ω values available)
- Resistive Tolerance: ±5% standard (±2% available)
- Power: 100 Watts • Capacitance: 3.10 pF
- Operating Temperature Range: -55°C to +150°C
- Temperature Coefficient: <150 ppm/°C
- Tabs: Silver
- Lead-Free, RoHS Compliant
- Non-Magnetic available



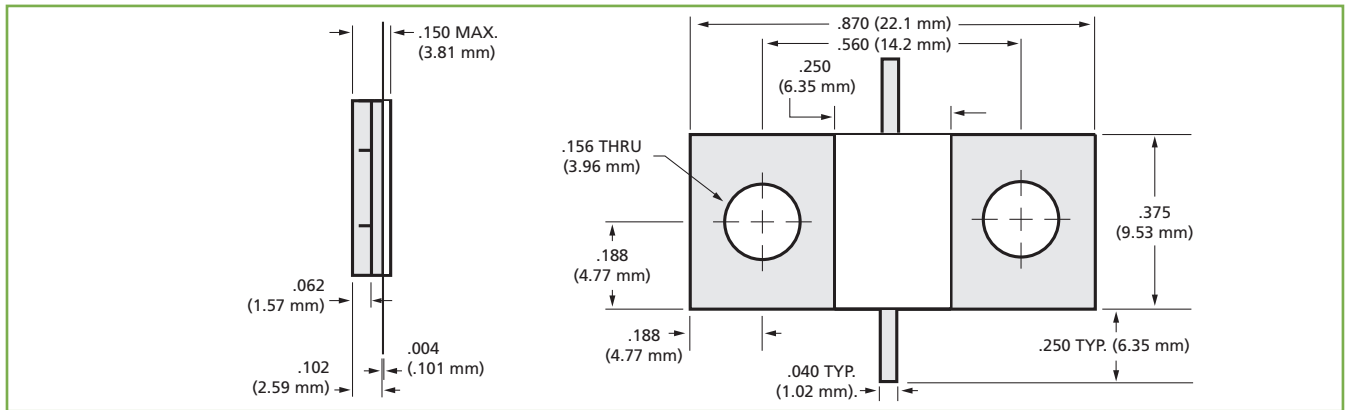
For Part Number Code, see page 1.

High Power, Flange Mount Resistor

P/N: FR10870NxxxxJ

General Specifications

- Resistance: 100 Ω standard (other Ω values available)
- Resistive Tolerance: ±5% standard (±2% available)
- Power: 150 Watts • Capacitance: 4.15 pF
- Operating Temperature Range: -55°C to +150°C
- Temperature Coefficient: <150 ppm/°C
- Tabs: Silver
- Lead-Free, RoHS Compliant
- Non-Magnetic available

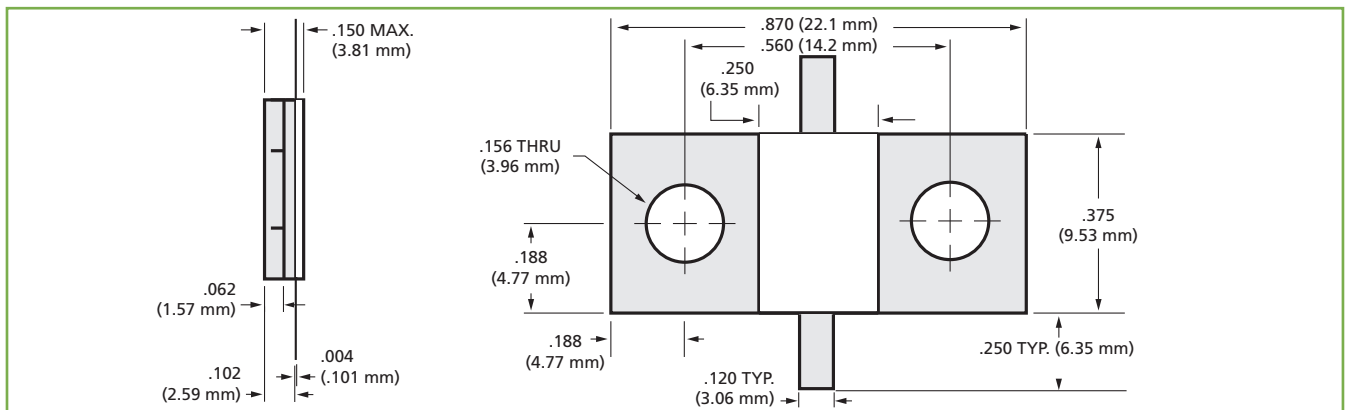


High Power, Flange Mount Resistor

P/N: FR10870NxxxxJ01

General Specifications

- Resistance: 100 Ω standard (other Ω values available)
- Resistive Tolerance: ±5% standard (±2% available)
- Power: 150 Watts • Capacitance: 4.15 pF
- Operating Temperature Range: -55°C to +150°C
- Temperature Coefficient: <150 ppm/°C
- Tabs: Silver
- Lead-Free, RoHS Compliant
- Non-Magnetic available



For Part Number Code, see page 1.

A M E R I C A N T E C H N I C A L C E R A M I C S

ATC North America
sales@atceramics.com

ATC Europe
sales@atceramics.com

ATC Asia
sales@atceramics-asia.com

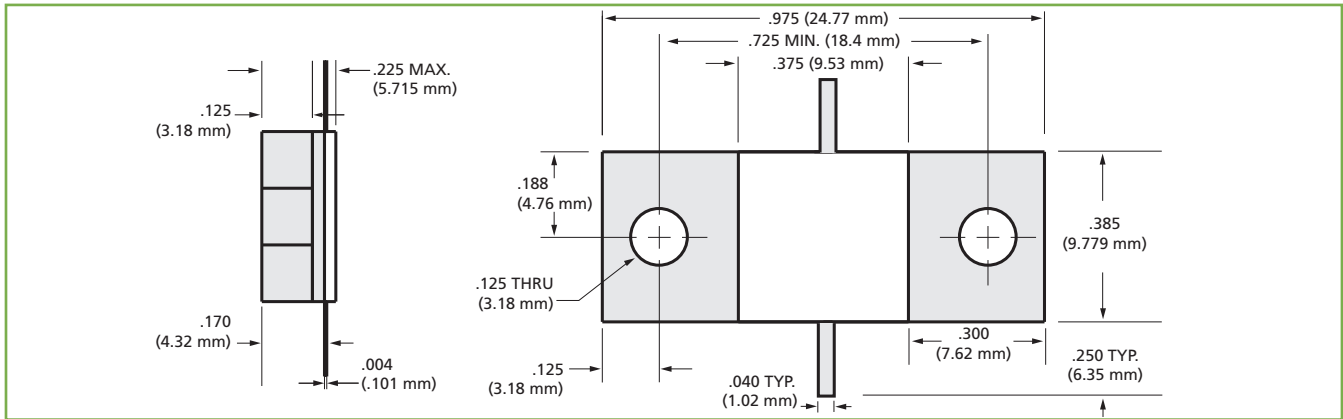
www.atceramics.com

High Power, Flange Mount Resistor

P/N: FR10975NxxxxJ

Electrical Specifications

- Resistance: 100 Ω standard (other Ω values available)
- Resistive Tolerance: :±5% standard (±2% available)
- Power: 250 Watts • Capacitance: 6.5 pF
- Operating Temperature Range: -55 to +150°C
- Temperature Coefficient: <150 ppm/°C
- Tabs: Silver
- Lead-Free, RoHS Compliant
- Non-Magnetic available

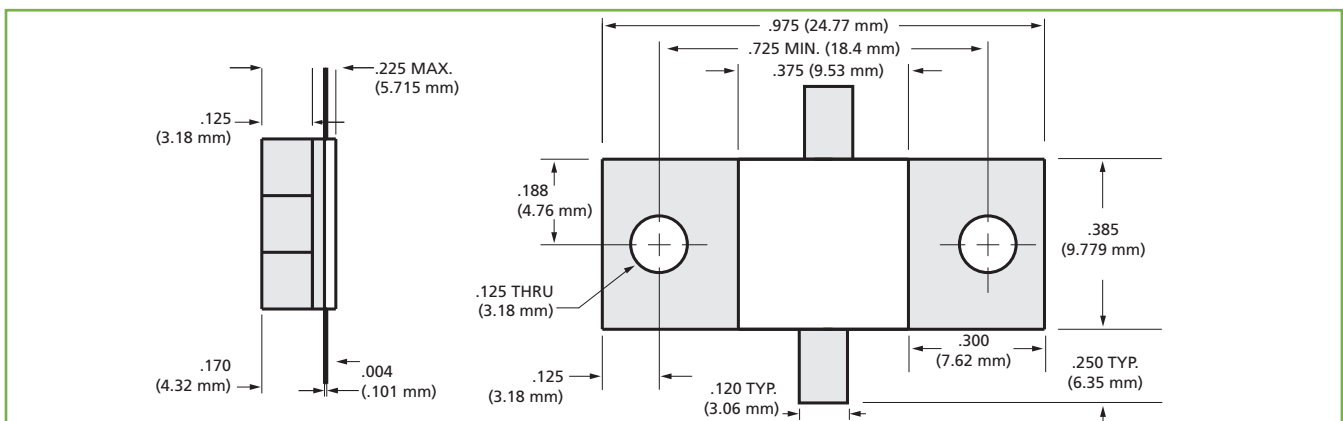


High Power, Flange Mount Resistor

P/N: FR10975N0100J01

Electrical Specifications

- Resistance: 100 Ω standard (other Ω values available)
- Resistive Tolerance: :±5% standard (±2% available)
- Power: 250 Watts • Capacitance: 6.5 pF
- Operating Temperature Range: -55 to +150°C
- Temperature Coefficient: <150 ppm/°C
- Tabs: Silver
- Lead-Free, RoHS Compliant
- Non-Magnetic available



For Part Number Code, see page 1.

A M E R I C A N T E C H N I C A L C E R A M I C S

ATC North America
sales@atceramics.com

ATC Europe
sales@atceramics.com

ATC Asia
sales@atceramics-asia.com

Mouser Electronics

Authorized Distributor

Click to View Pricing, Inventory, Delivery & Lifecycle Information:

[AVX:](#)

[FR10800N0100JBK](#) [FR10515N0050JBK](#) [FR10300N0200JBK](#) [FR10515N0100JBK](#) [FR10870N0050J01](#)
[FR14100JNWAJN](#) [FR14050JNWAJN](#) [FR1M050JN1AJV](#) [FR10300N0100JBK](#) [FR10302N0100JBK](#)
[FR10560N0050JBK](#) [FR10560N0100JBK](#) [FR10800N0050JBK](#)