

A-INFO

Microwave/Millimeter-Wave High Precision Connector / Adapter



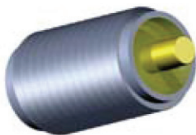
Content

RF COAXIAL CONNECTORS.....	1
SMA CONNECTOR SERIES.....	2
2.92MM CONNECTOR SERIES.....	16
2.4MM CONNECTOR SERIES	23
N TYPE CONNECTOR SERIES.....	30
SSMA CONNECTOR SERIES.....	33
RF COAXIAL ADAPTERS.....	36
N TYPE IN-SERIES ADAPTERS	37
SMA IN-SERIES ADAPTERS	39
3.5MM IN-SERIES ADAPTERS.....	40
2.92MM IN-SERIES ADAPTERS.....	41
2.4MM IN-SERIES ADAPTERS.....	42
N-3.5MM BETWEEN SERIES ADAPTERS	43
N-2.92MM BETWEEN SERIES ADAPTERS.....	44
N-2.4MM BETWEEN SERIES ADAPTERS	45
N-TNC BETWEEN SERIES ADAPTERS	46
N-SMA BETWEEN SERIES ADAPTERS.....	47
3.5MM-2.92MM BETWEEN SERIES ADAPTERS	49
3.5MM-2.4MM BETWEEN SERIES ADAPTERS	51
2.92MM-2.4MM BETWEEN SERIES ADAPTERS	52
2.92MM-SMA BETWEEN SERIES ADAPTERS.....	53
2.4MM-SMA BETWEEN SERIES ADAPTERS	54
TNC-SMA BETWEEN SERIES ADAPTERS.....	55
7MM SERIES ADAPTERS.....	56
QUICK REPLACEMENT ADAPTERS	57
ADAPTER KITS.....	58
COAXIAL TERMINATION	61
STANDARD TERMINATION SERIES	62
PRECISION TERMINATION SERIES	63
TOOLS.....	64
PARTS.....	68
TYPICAL TEST DATA	88
APPLICATION NOTES	92
CONNECTORS & ADAPTERS INDEX	96

Chengdu AINFO Inc. is an ISO 9001:2000 certified manufacturer.



RF Coaxial Connectors



SMA Connector Series

Performance Features

Nominal Impedance: 50Ω

Frequency Range: DC-27GHz

VSWR: DC-18GHz 1.10:1 max
18GHz-27GHz 1.15:1 max

Maximum Power Handling:

<u>Standard Model</u>	<u>High Power Model</u>
150W at 125°C	250W at 125°C
	160W at 165°C

Durability: 500 Cycles

Operating Temperature:

<u>Standard Model</u>	<u>High Power Model</u>
-50°C ~ +125°C	-60°C ~ +165°C

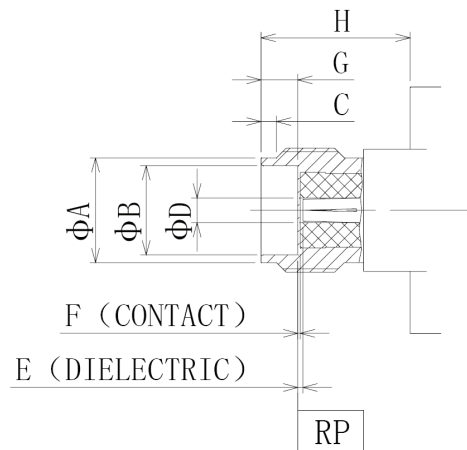
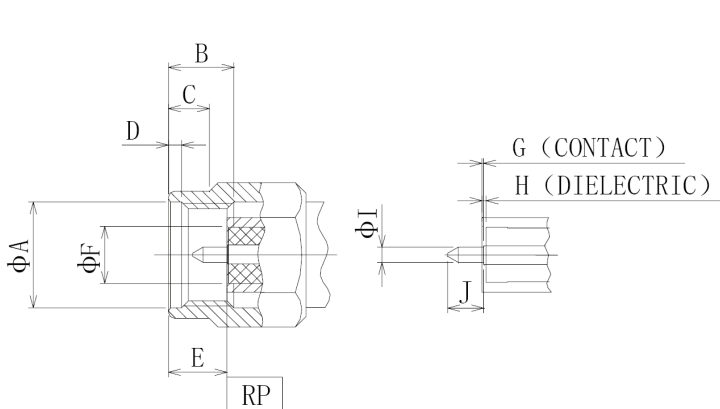
Interfaces: PER MIL-STD-348A

Material/Finishes

Housing:
Type 303 Stainless Steel-Polished
& Passivated

Center Contact:
Beryllium Copper Plated Gold

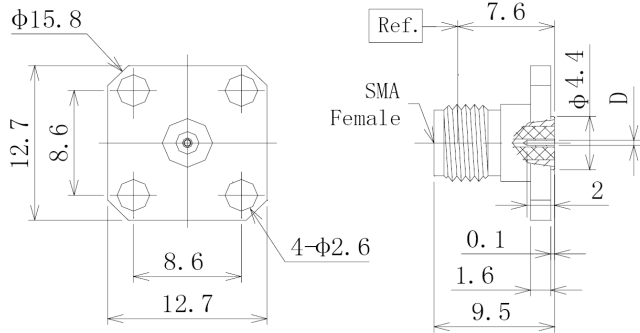
Insulator: PTFE



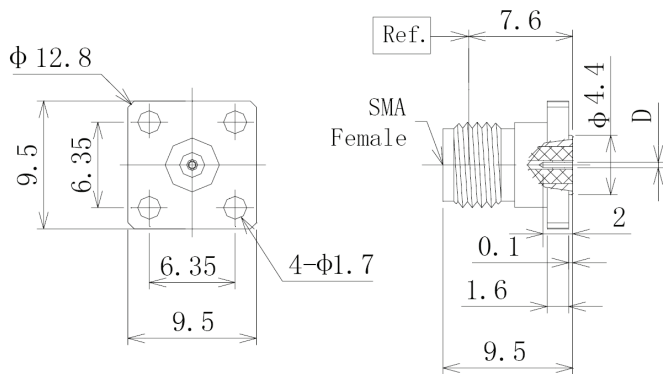
SMA Male (mm)		
LTR	Minimum	Maximum
A	6.5	6.6
B	4	
C	2.5	
D	0.8	
E	2.97	3.28
F	3.48	3.52
G	0	0.198
H	0	0.178
I	0.920	0.934
J	2.09	2.15

SMA Female (mm)		
LTR	Minimum	Maximum
A	5.324	5.400
B	4.60	4.63
C	0.8	0.9
D	1.25	1.28
E	2.97	3.28
F	3.48	3.52
G	0	0.198
H	0	0.178

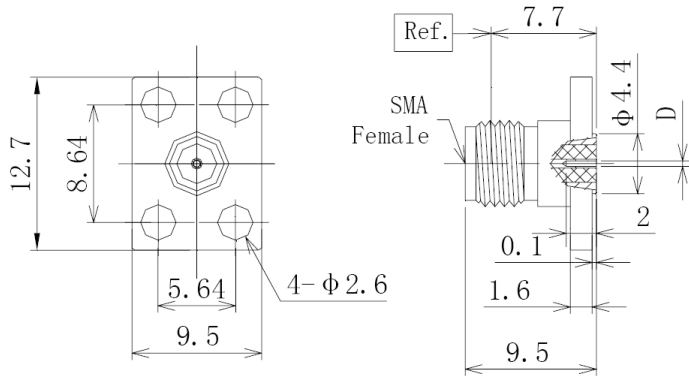
SMA Series Field Replaceable Flange Connectors



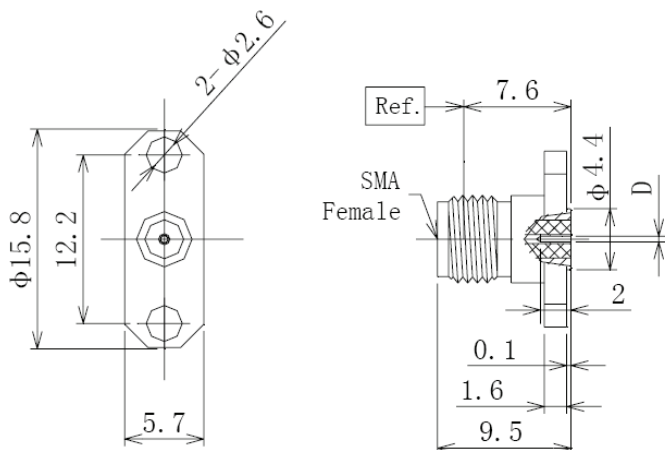
P/N	D
HPC1010-12	0.012inch/0.30mm
HPC1010-15	0.015inch/0.38mm
HPC1010-18	0.018inch/0.46mm
HPC1010-20	0.020inch/0.51mm



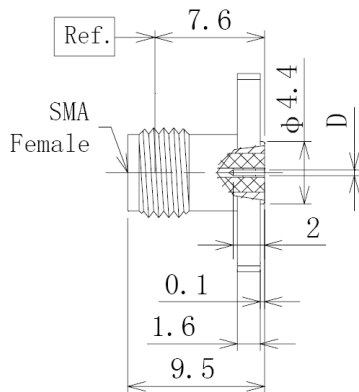
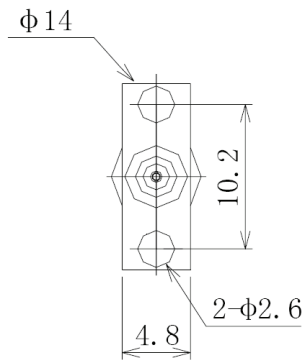
P/N	D
HPC1011-12	0.012inch/0.30mm
HPC1011-15	0.015inch/0.38mm
HPC1011-18	0.018inch/0.46mm
HPC1011-20	0.020inch/0.51mm



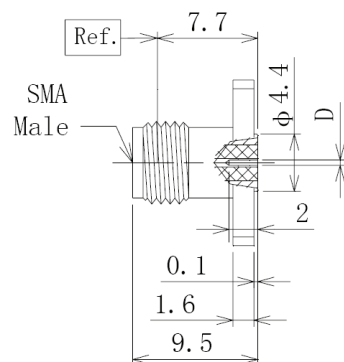
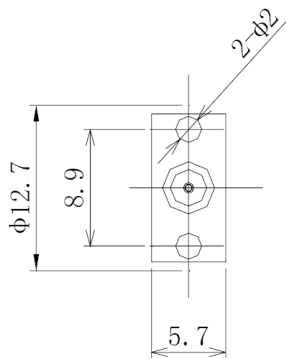
P/N	D
HPC1012-12	0.012inch/0.30mm
HPC1012-15	0.015inch/0.38mm
HPC1012-18	0.018inch/0.46mm
HPC1012-20	0.020inch/0.51mm



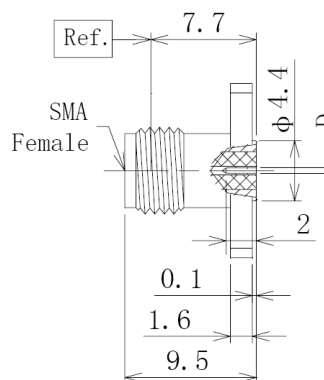
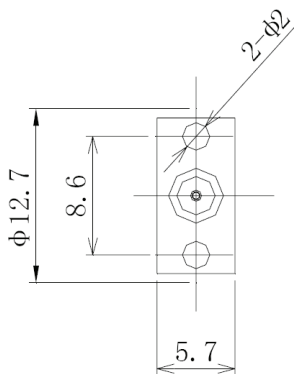
P/N	D
HPC1013-12	0.012inch/0.30mm
HPC1013-15	0.015inch/0.38mm
HPC1013-18	0.018inch/0.46mm
HPC1013-20	0.020inch/0.51mm



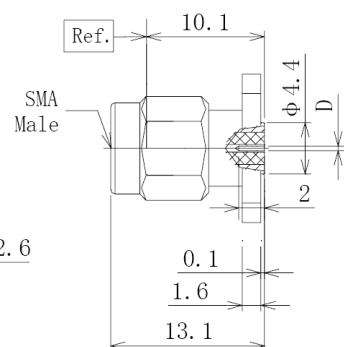
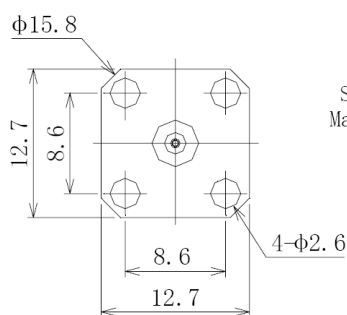
P/N	D
HPC1014-12	0.012inch/0.30mm
HPC1014-15	0.015inch/0.38mm
HPC1014-18	0.018inch/0.46mm
HPC1014-20	0.020inch/0.51mm



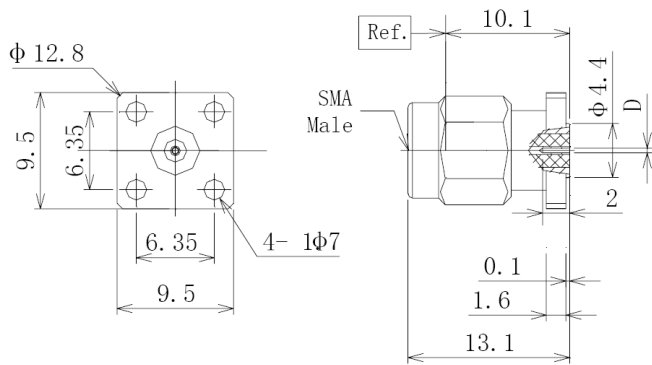
P/N	D
HPC1015-12	0.012inch/0.30mm
HPC1015-15	0.015inch/0.38mm
HPC1015-18	0.018inch/0.46mm
HPC1015-20	0.020inch/0.51mm



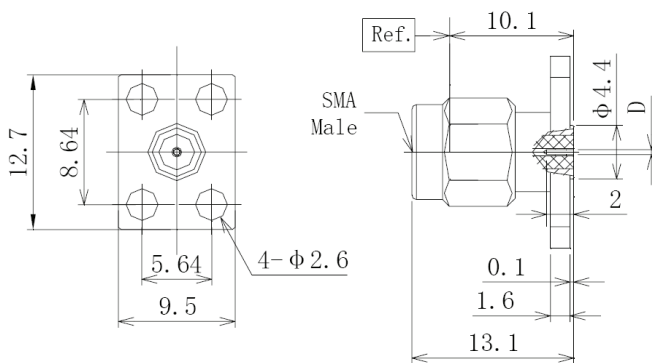
P/N	D
HPC1016-12	0.012inch/0.30mm
HPC1016-15	0.015inch/0.38mm
HPC1016-18	0.018inch/0.46mm
HPC1016-20	0.020inch/0.51mm



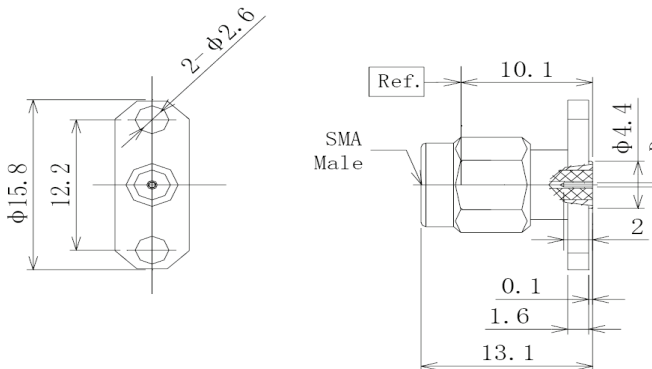
P/N	D
HPC1017-12	0.012inch/0.30mm
HPC1017-15	0.015inch/0.38mm
HPC1017-18	0.018inch/0.46mm
HPC1017-20	0.020inch/0.51mm



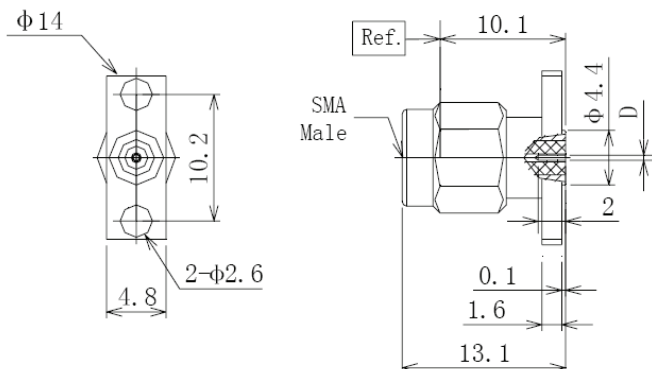
P/N	D
HPC1018-12	0.012inch/0.30mm
HPC1018-15	0.015inch/0.38mm
HPC1018-18	0.018inch/0.46mm
HPC1018-20	0.020inch/0.51mm



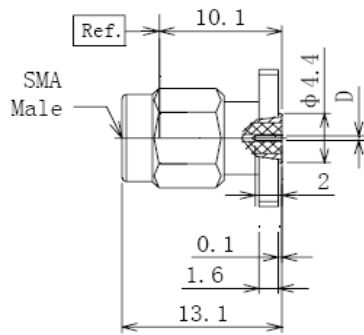
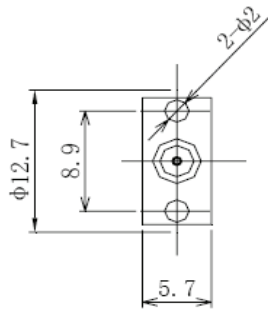
P/N	D
HPC1019-12	0.012inch/0.30mm
HPC1019-15	0.015inch/0.38mm
HPC1019-18	0.018inch/0.46mm
HPC1019-20	0.020inch/0.51mm



P/N	D
HPC1020-12	0.012inch/0.30mm
HPC1020-15	0.015inch/0.38mm
HPC1020-18	0.018inch/0.46mm
HPC1020-20	0.020inch/0.51mm

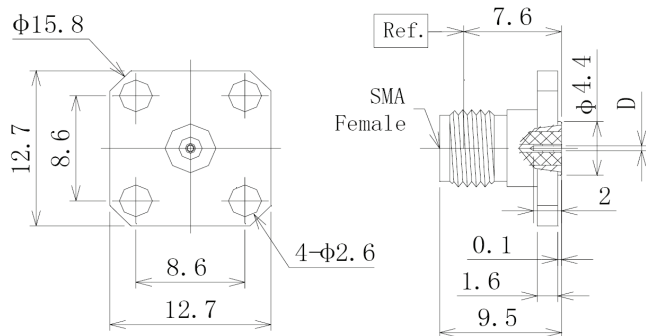


P/N	D
HPC1021-12	0.012inch/0.30mm
HPC1021-15	0.015inch/0.38mm
HPC1021-18	0.018inch/0.46mm
HPC1021-20	0.020inch/0.51mm

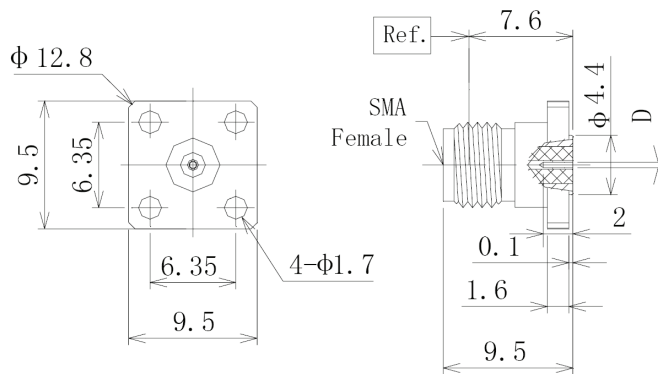


P/N	D
HPC1022-12	0.012inch/0.30mm
HPC1022-15	0.015inch/0.38mm
HPC1022-18	0.018inch/0.46mm
HPC1022-20	0.020inch/0.51mm

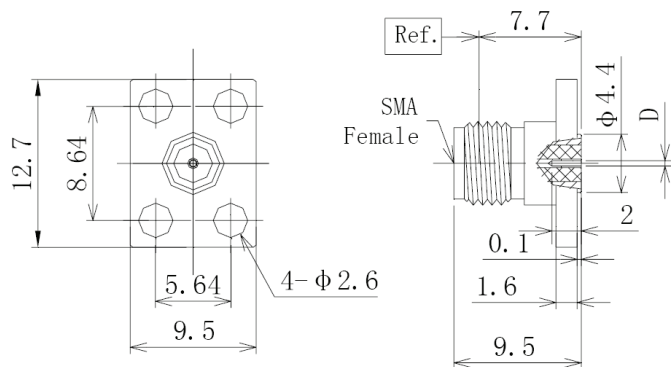
SMA Series High Power Field Replaceable Flange Connectors



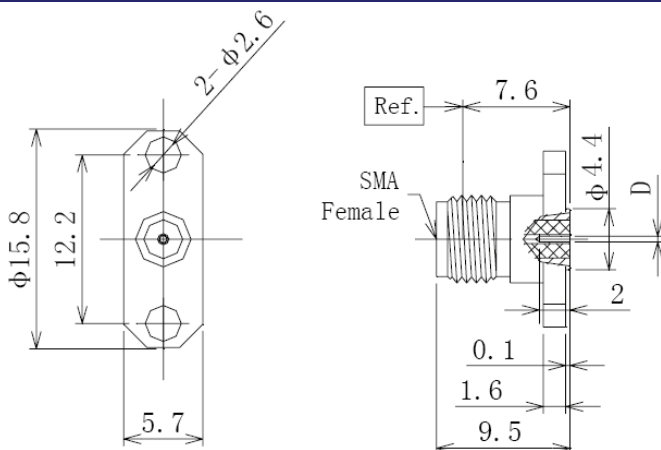
P/N	D
HPC1110-12	0.012inch/0.30mm
HPC1110-15	0.015inch/0.38mm
HPC1110-18	0.018inch/0.46mm
HPC1110-20	0.020inch/0.51mm



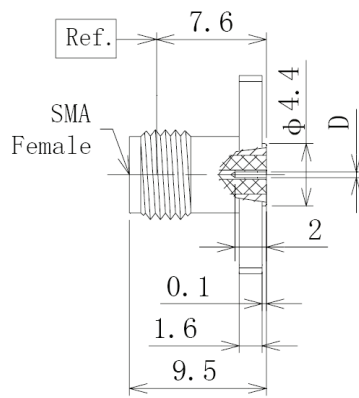
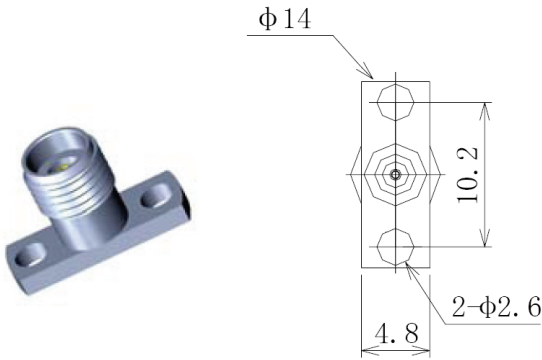
P/N	D
HPC1111-12	0.012inch/0.30mm
HPC1111-15	0.015inch/0.38mm
HPC1111-18	0.018inch/0.46mm
HPC1111-20	0.020inch/0.51mm



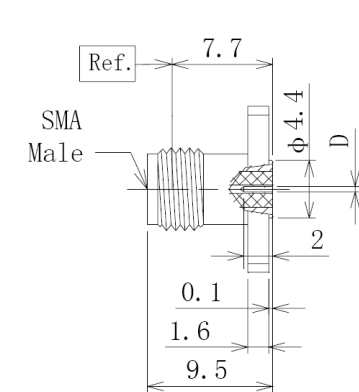
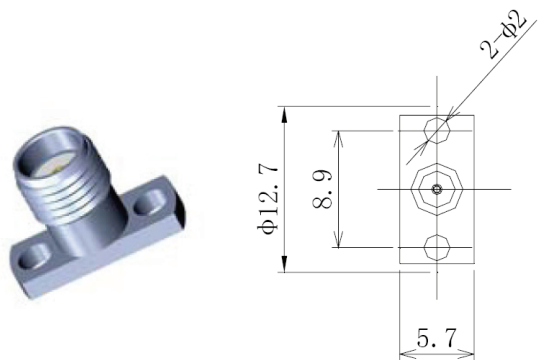
P/N	D
HPC1112-12	0.012inch/0.30mm
HPC1112-15	0.015inch/0.38mm
HPC1112-18	0.018inch/0.46mm
HPC1112-20	0.020inch/0.51mm



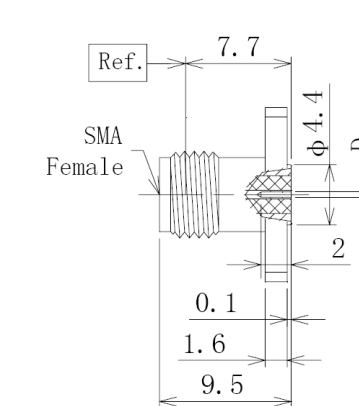
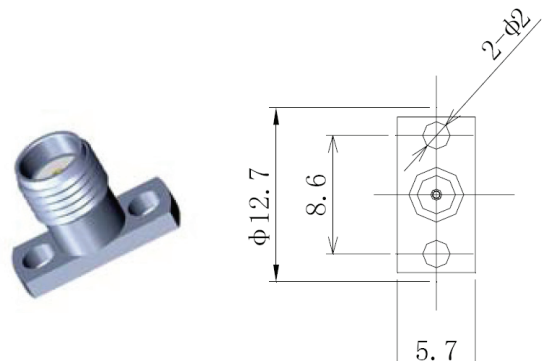
P/N	D
HPC1113-12	0.012inch/0.30mm
HPC1113-15	0.015inch/0.38mm
HPC1113-18	0.018inch/0.46mm
HPC1113-20	0.020inch/0.51mm



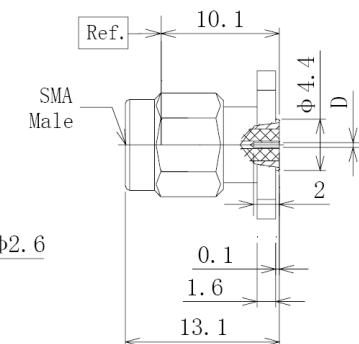
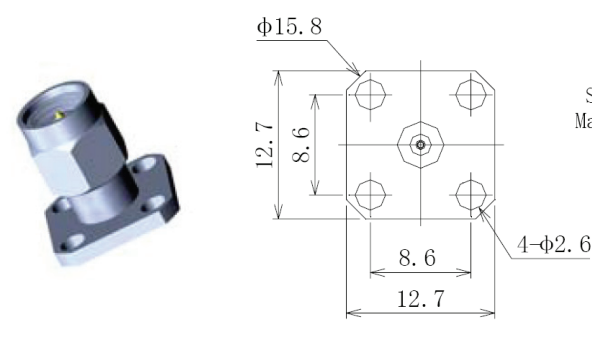
P/N	D
HPC1114-12	0.012inch/0.30mm
HPC1114-15	0.015inch/0.38mm
HPC1114-18	0.018inch/0.46mm
HPC1114-20	0.020inch/0.51mm



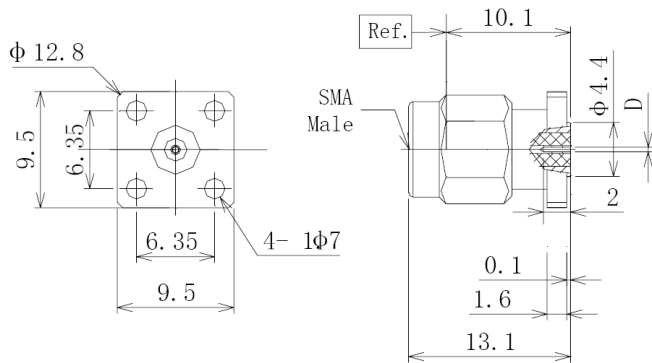
P/N	D
HPC1115-12	0.012inch/0.30mm
HPC1115-15	0.015inch/0.38mm
HPC1115-18	0.018inch/0.46mm
HPC1115-20	0.020inch/0.51mm



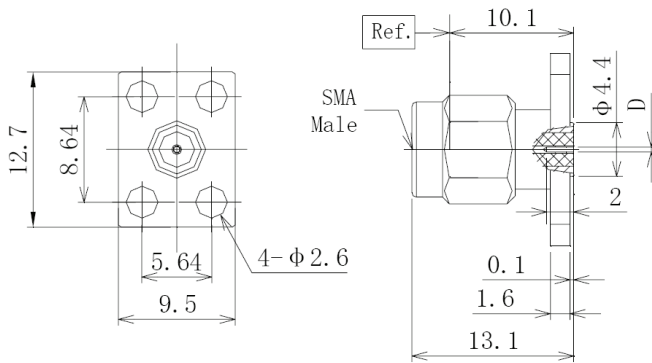
P/N	D
HPC1116-12	0.012inch/0.30mm
HPC1116-15	0.015inch/0.38mm
HPC1116-18	0.018inch/0.46mm
HPC1116-20	0.020inch/0.51mm



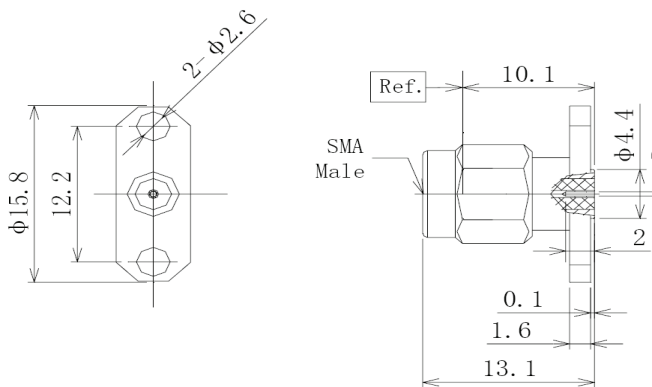
P/N	D
HPC1117-12	0.012inch/0.30mm
HPC1117-15	0.015inch/0.38mm
HPC1117-18	0.018inch/0.46mm
HPC1117-20	0.020inch/0.51mm



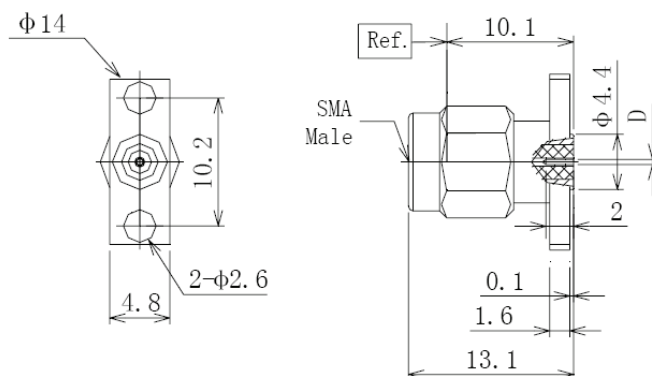
P/N	D
HPC1118-12	0.012inch/0.30mm
HPC1118-15	0.015inch/0.38mm
HPC1118-18	0.018inch/0.46mm
HPC1118-20	0.020inch/0.51mm



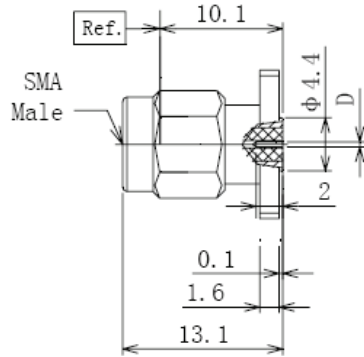
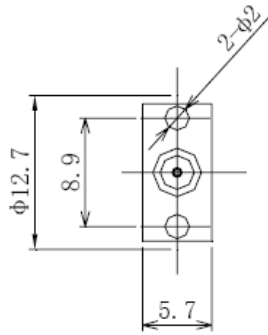
P/N	D
HPC1119-12	0.012inch/0.30mm
HPC1119-15	0.015inch/0.38mm
HPC1119-18	0.018inch/0.46mm
HPC1119-20	0.020inch/0.51mm



P/N	D
HPC1120-12	0.012inch/0.30mm
HPC1120-15	0.015inch/0.38mm
HPC1120-18	0.018inch/0.46mm
HPC1120-20	0.020inch/0.51mm

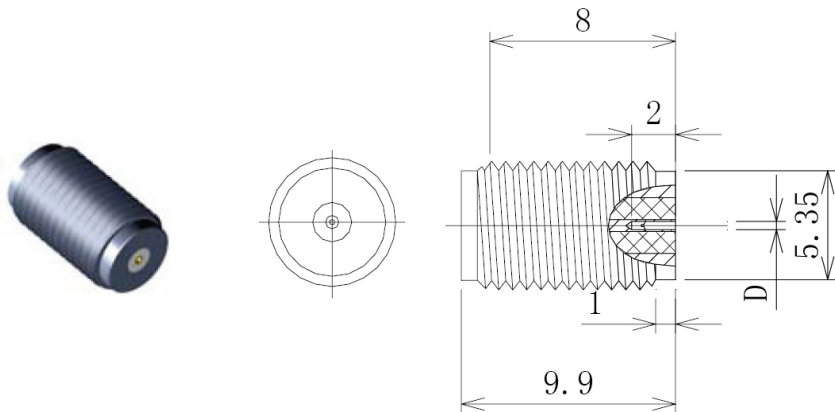


P/N	D
HPC1121-12	0.012inch/0.30mm
HPC1121-15	0.015inch/0.38mm
HPC1121-18	0.018inch/0.46mm
HPC1121-20	0.020inch/0.51mm

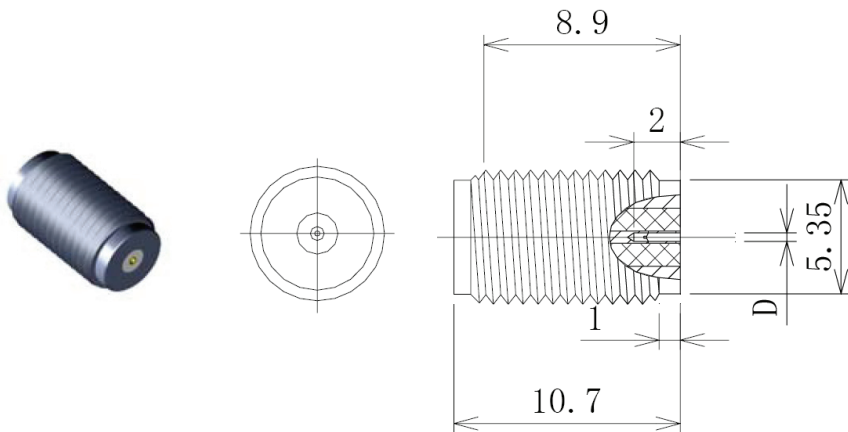


P/N	D
HPC1122-12	0.012inch/0.30mm
HPC1122-15	0.015inch/0.38mm
HPC1122-18	0.018inch/0.46mm
HPC1122-20	0.020inch/0.51mm

SMA Series Remove Screw Thread Connector

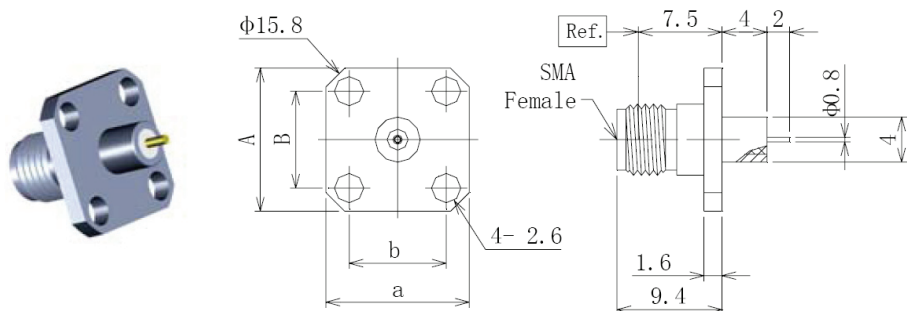


P/N	D
HPC1310-12	0.012inch/0.30mm
HPC1310-15	0.015inch/0.38mm
HPC1310-18	0.018inch/0.46mm
HPC1310-20	0.020inch/0.51mm

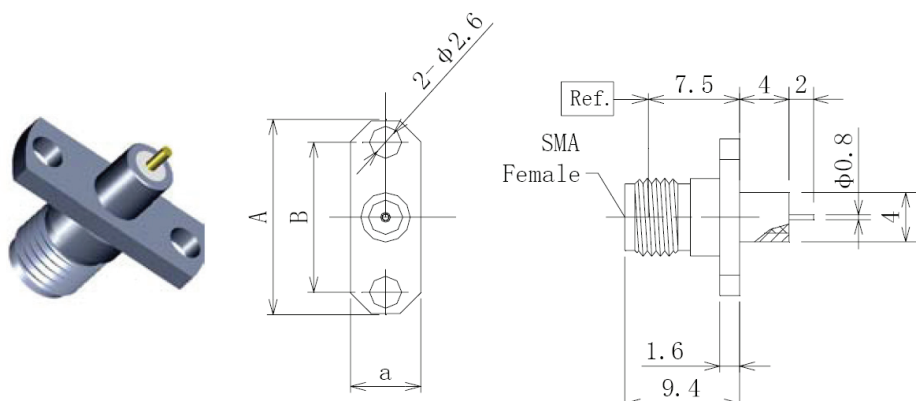


P/N	D
HPC1311-12	0.012inch/0.30mm
HPC1311-15	0.015inch/0.38mm
HPC1311-18	0.018inch/0.46mm
HPC1311-20	0.020inch/0.51mm

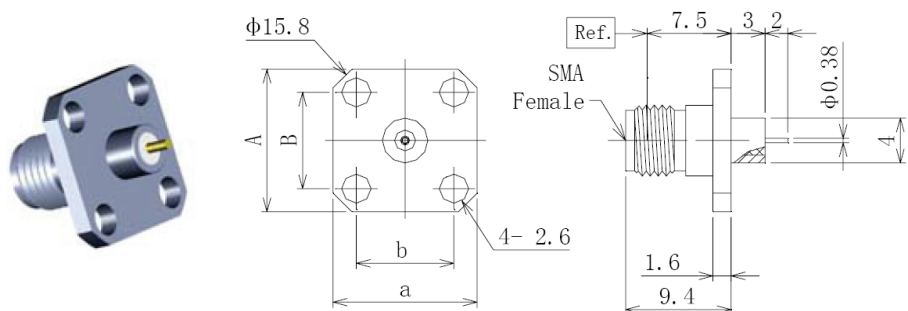
SMA Series Bulkhead Flange Connectors



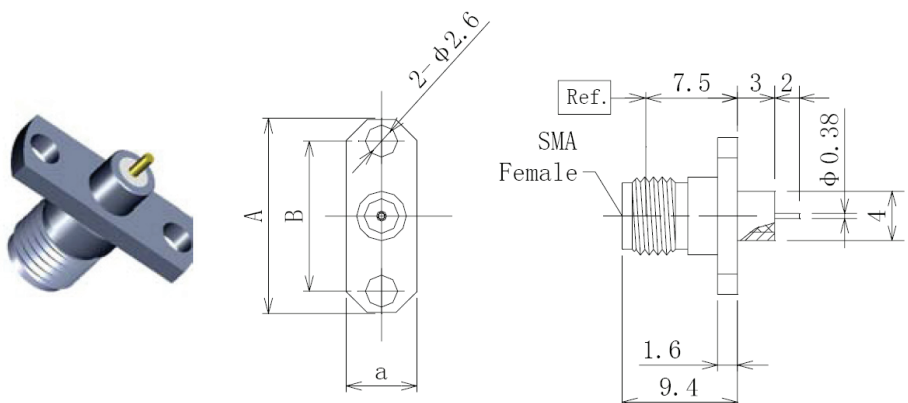
P/N	A	a	B	b
HPC1410-01	12.7	12.7	8.6	8.6
HPC1410-02	9.5	9.5	6.35	6.35
HPC1410-03	12.7	9.5	8.64	5.64



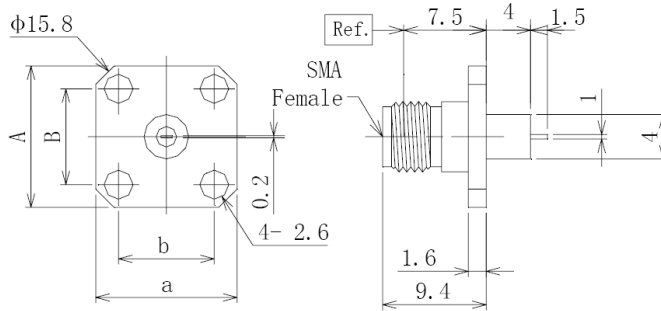
P/N	A	B
HPC1411-01	15.8	12.2
HPC1411-02	14	10.2
HPC1411-03	12.7	8.9
HPC1411-04	12.7	8.6



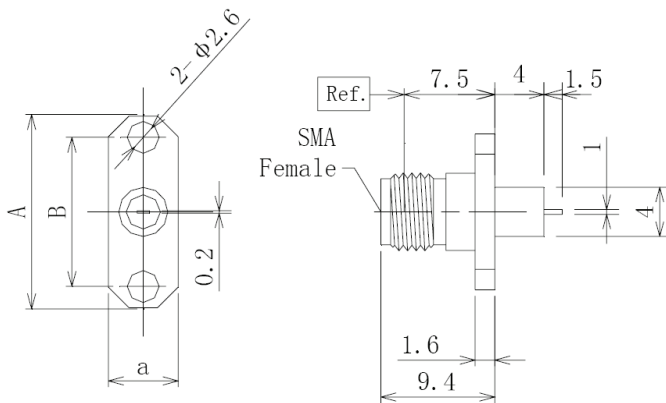
P/N	A	a	B	b
HPC1412-01	12.7	12.7	8.6	8.6
HPC1412-02	9.5	9.5	6.35	6.35
HPC1412-03	12.7	9.5	8.64	5.64



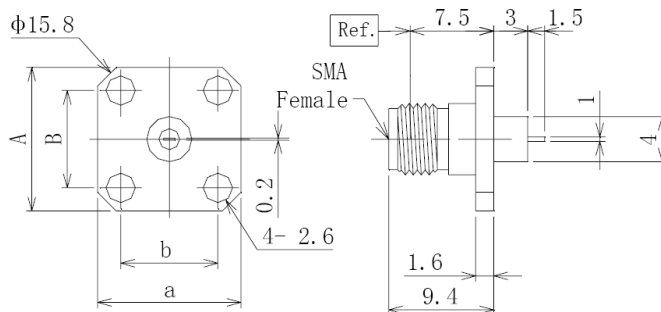
P/N	A	B
HPC1413-01	15.8	12.2
HPC1413-02	14	10.2
HPC1413-03	12.7	8.9
HPC1413-04	12.7	8.6



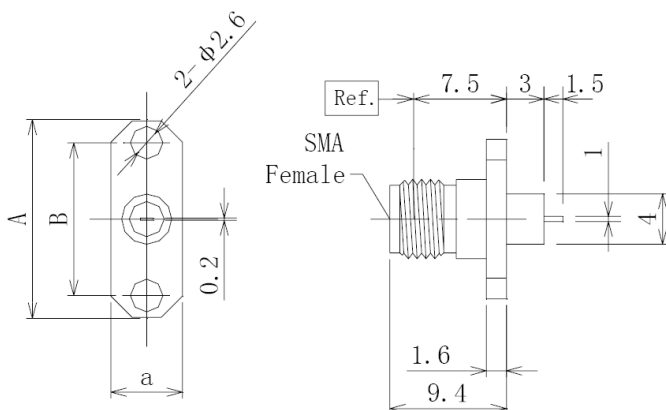
P/N	A	a	B	b
HPC1414-01	12.7	12.7	8.6	8.6
HPC1414-02	9.5	9.5	6.35	6.35
HPC1414-03	12.7	9.5	8.64	5.64



P/N	A	B
HPC1415-01	15.8	12.2
HPC1415-02	14	10.2
HPC1415-03	12.7	8.9
HPC1415-04	12.7	8.6

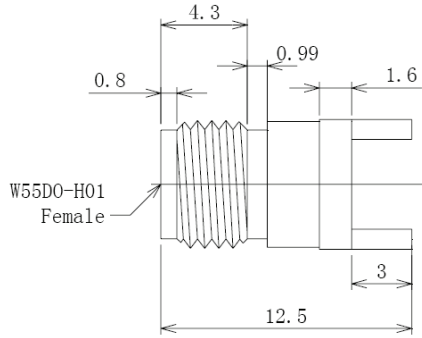
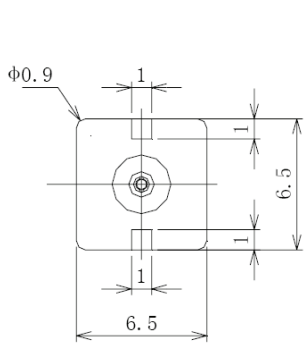


P/N	A	a	B	b
HPC1416-01	12.7	12.7	8.6	8.6
HPC1416-02	9.5	9.5	6.35	6.35
HPC1416-03	12.7	9.5	8.64	5.64

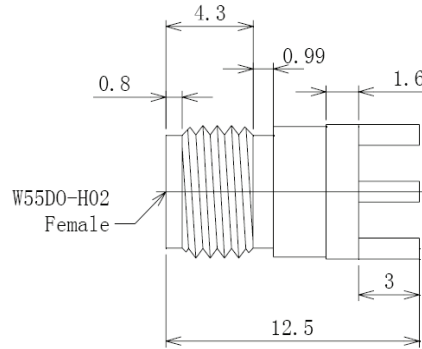
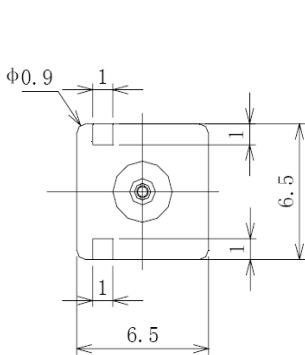


P/N	A	B
HPC1417-01	15.8	12.2
HPC1417-02	14	10.2
HPC1417-03	12.7	8.9
HPC1417-04	12.7	8.6

SMA Series PCB Connectors

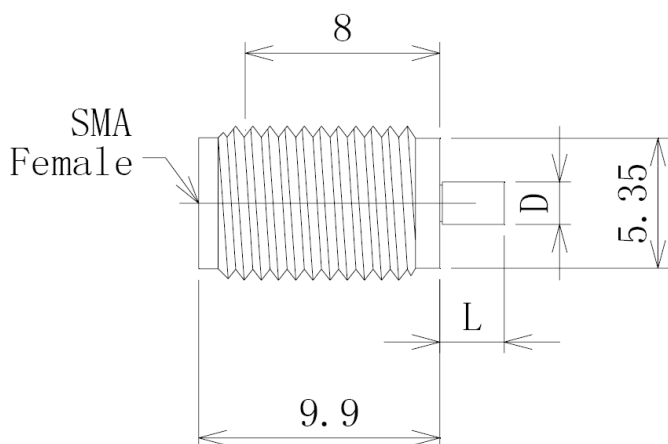
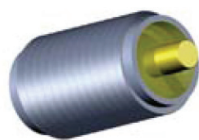


P/N
HPC1510-01
Housing – Brass, gold plated



P/N
HPC1511-01
Housing – Brass, gold plated

SMA Series Bulkhead Thread-in Connectors



P/N	D	L
HPC1610-01	Customized	Customized

2.92mm Connector Series

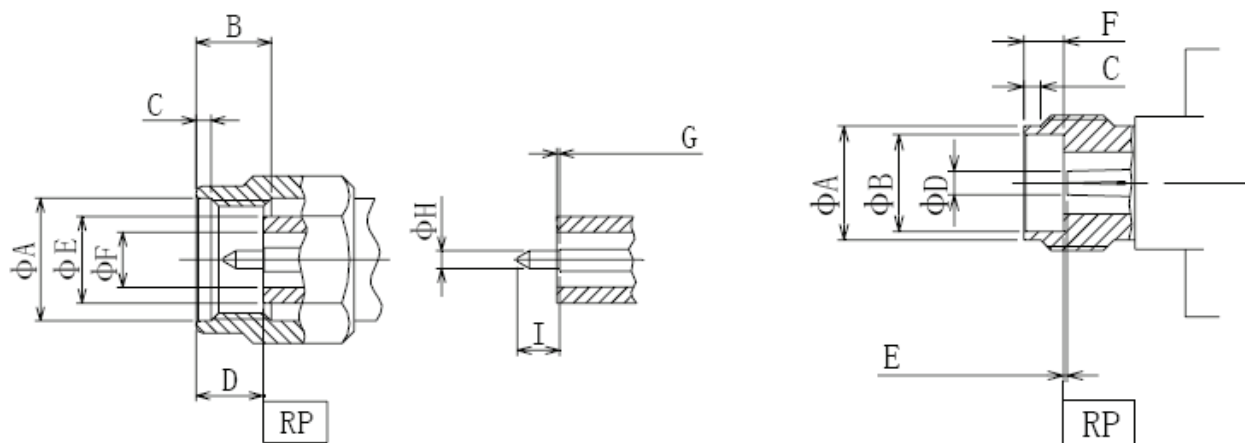
Performance Features

Nominal Impedance	50ohm
Frequency Range	DC-40GHz
VSWR:DC-40GHz...	1.15:1 max
Durability	500cycles
Operating Temperature	-60°C~ +165°C

Materials/Finishes

Housing: Type 303 Stainless Steel-Polished&Passivated
Center Contact: Beryllium Copper Plated Gold
Insulators: PEI

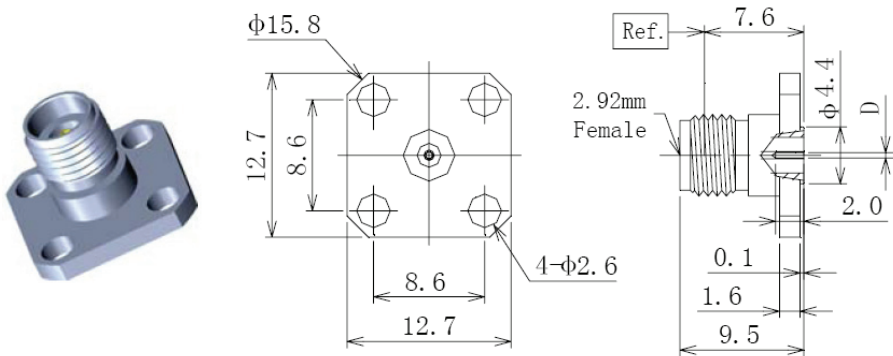
Interfaces: PER MIL-STD-348A



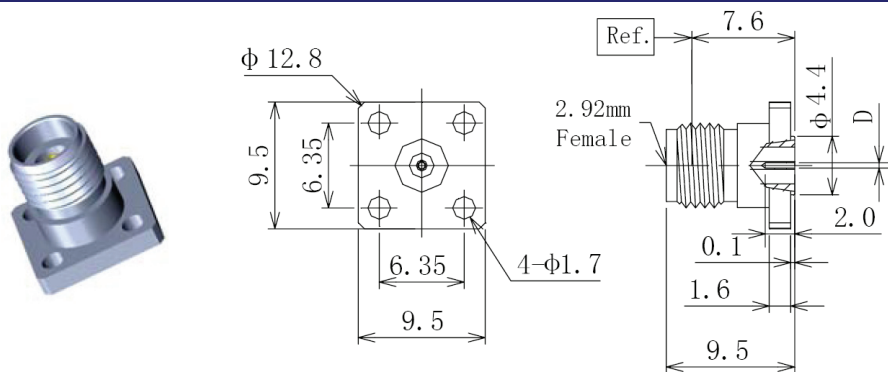
2.92mm Male (mm)		
	Min	Max
A	6.5	6.6
B	4	
C	0.8	
D	2.82	3.18
E	4.55	4.58
F	2.90	2.94
G	0	0.06
H	0.920	0.934
I	1.295	1.450

2.92mm Female (mm)		
	Min	Max
A	5.324	5.400
B	4.60	4.63
C	0.8	0.9
D	1.26	1.28
E	0	0.078
F	1.855	1.993

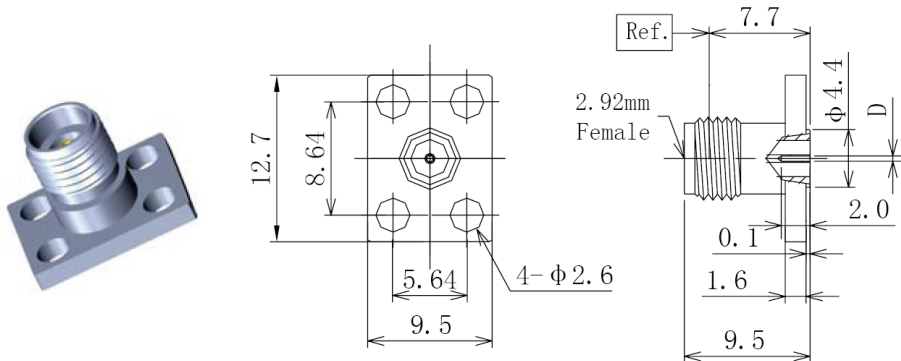
2.92mm Series Field Replaceable Flange Connectors



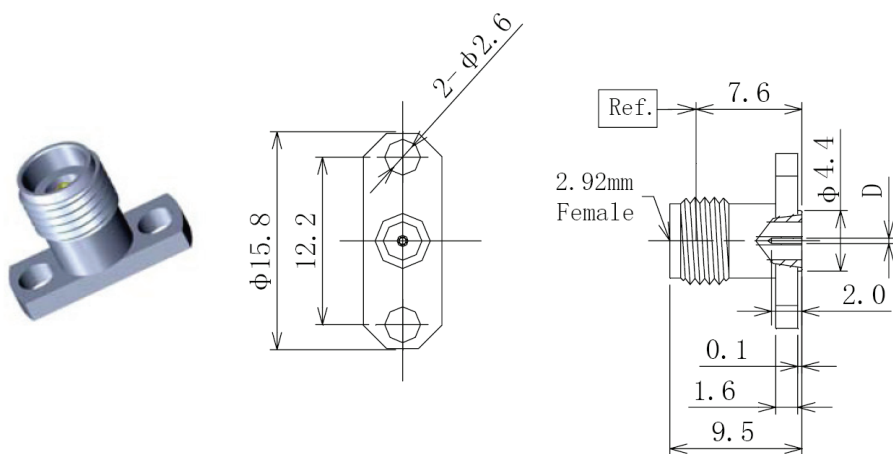
P/N	D
HPC3110-12	0.012inch/0.30mm
HPC3110-15	0.015inch/0.38mm
HPC3110-18	0.018inch/0.46mm
HPC3110-20	0.020inch/0.51mm



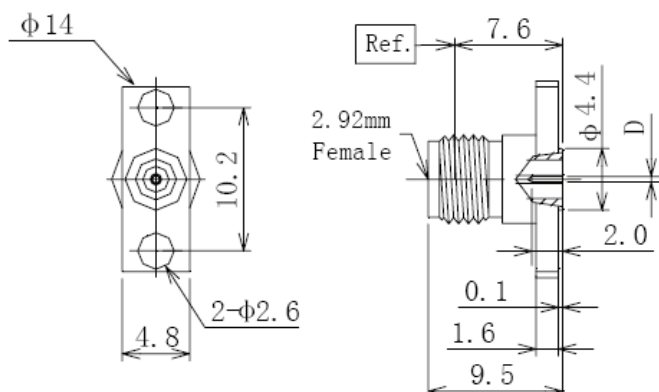
P/N	D
HPC3111-12	0.012inch/0.30mm
HPC3111-15	0.015inch/0.38mm
HPC3111-18	0.018inch/0.46mm
HPC3111-20	0.020inch/0.51mm



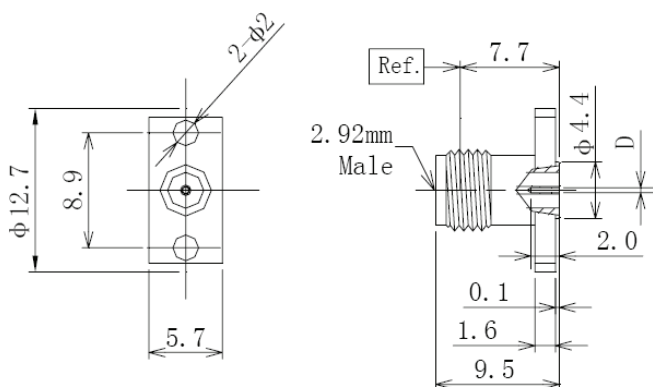
P/N	D
HPC3112-12	0.012inch/0.30mm
HPC3112-15	0.015inch/0.38mm
HPC3112-18	0.018inch/0.46mm
HPC3112-20	0.020inch/0.51mm



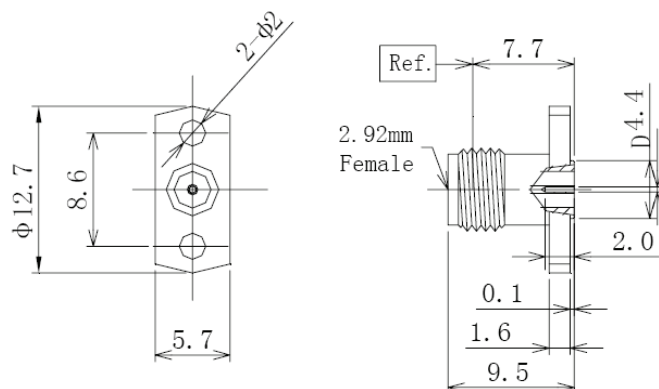
P/N	D
HPC3113-12	0.012inch/0.30mm
HPC3113-15	0.015inch/0.38mm
HPC3113-18	0.018inch/0.46mm
HPC3113-20	0.020inch/0.51mm



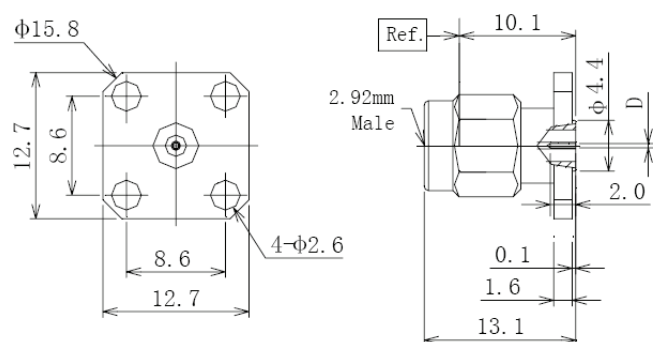
P/N	D
HPC3114-12	0.012inch/0.30mm
HPC3114-15	0.015inch/0.38mm
HPC3114-18	0.018inch/0.46mm
HPC3114-20	0.020inch/0.51mm



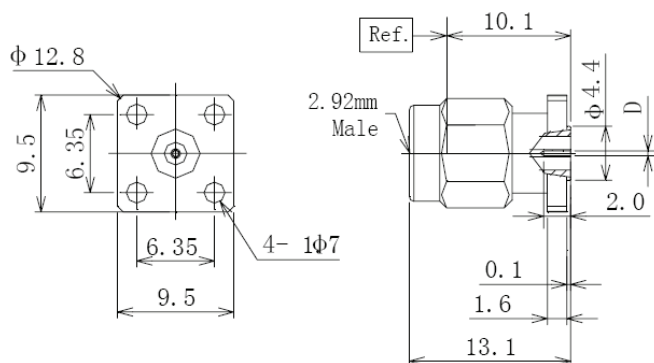
P/N	D
HPC3115-12	0.012inch/0.30mm
HPC3115-15	0.015inch/0.38mm
HPC3115-18	0.018inch/0.46mm
HPC3115-20	0.020inch/0.51mm



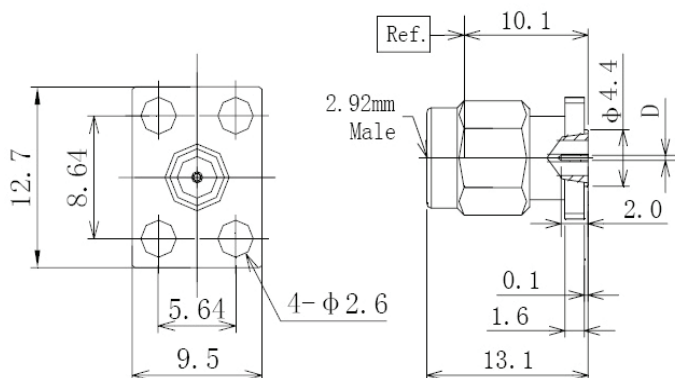
P/N	D
HPC3116-12	0.012inch/0.30mm
HPC3116-15	0.015inch/0.38mm
HPC3116-18	0.018inch/0.46mm
HPC3116-20	0.020inch/0.51mm



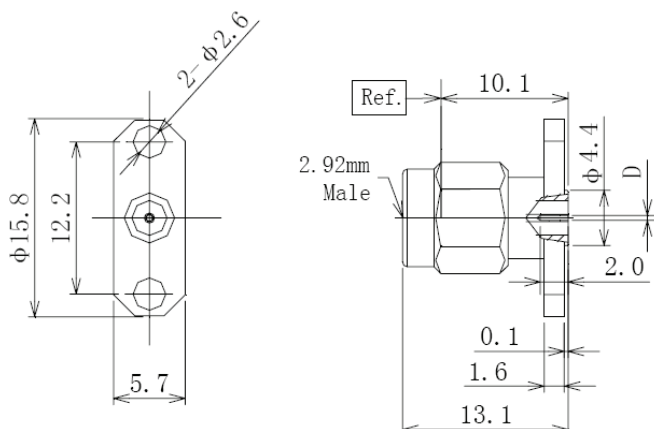
P/N	D
HPC3117-12	0.012inch/0.30mm
HPC3117-15	0.015inch/0.38mm
HPC3117-18	0.018inch/0.46mm
HPC3117-20	0.020inch/0.51mm



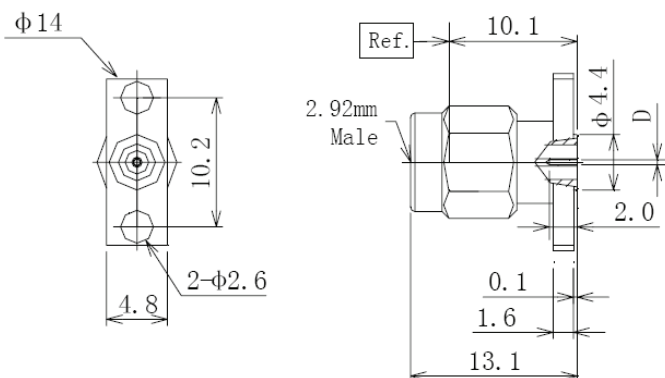
P/N	D
HPC3118-12	0.012inch/0.30mm
HPC3118-15	0.015inch/0.38mm
HPC3118-18	0.018inch/0.46mm
HPC3118-20	0.020inch/0.51mm



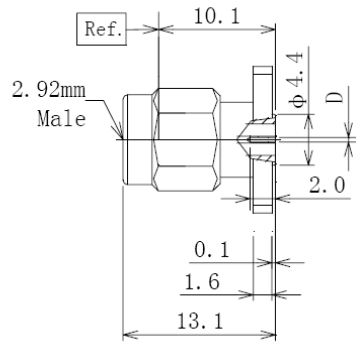
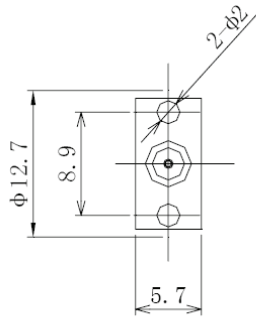
P/N	D
HPC3119-12	0.012inch/0.30mm
HPC3119-15	0.015inch/0.38mm
HPC3119-18	0.018inch/0.46mm
HPC3119-20	0.020inch/0.51mm



P/N	D
HPC3120-12	0.012inch/0.30mm
HPC3120-15	0.015inch/0.38mm
HPC3120-18	0.018inch/0.46mm
HPC3120-20	0.020inch/0.51mm

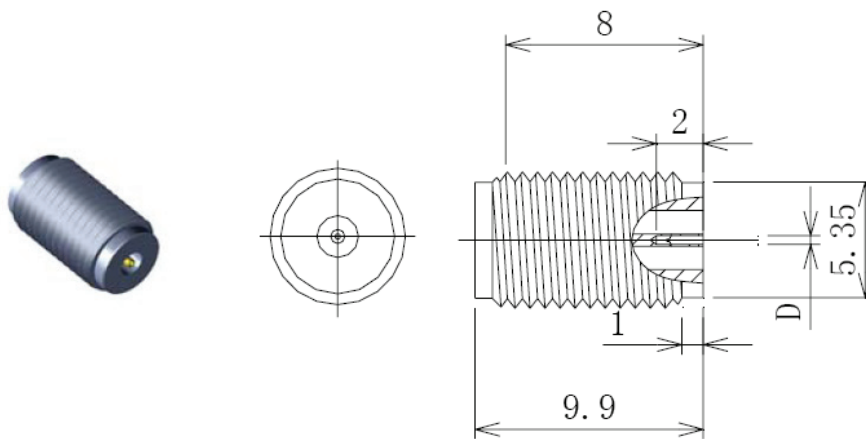


P/N	D
HPC3121-12	0.012inch/0.30mm
HPC3121-15	0.015inch/0.38mm
HPC3121-18	0.018inch/0.46mm
HPC3121-20	0.020inch/0.51mm

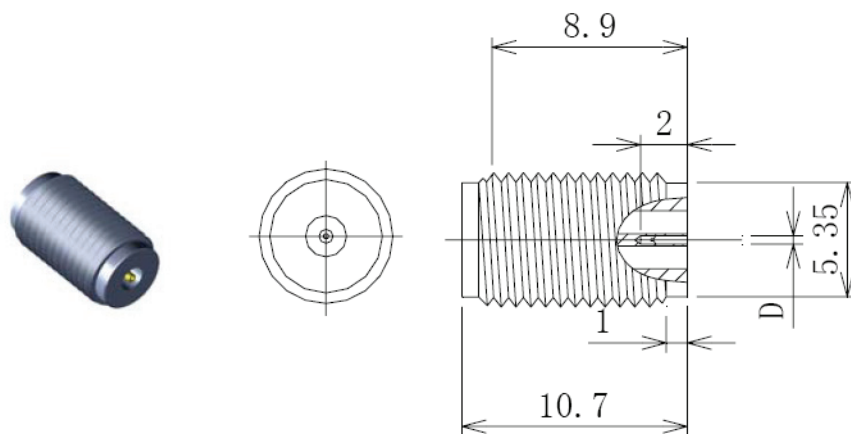


P/N	D
HPC3122-12	0.012inch/0.30mm
HPC3122-15	0.015inch/0.38mm
HPC3122-18	0.018inch/0.46mm
HPC3122-20	0.020inch/0.51mm

2.92mm Series Field Replaceable Thread-in Connectors

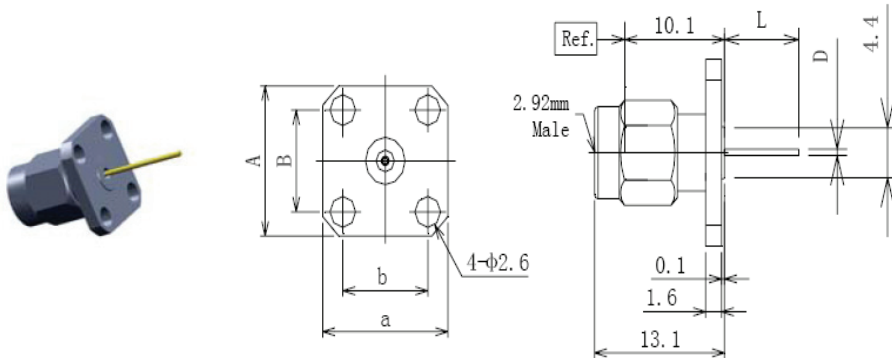


P/N	D
HPC3210-12	0.012inch/0.30mm
HPC3210-15	0.015inch/0.38mm
HPC3210-18	0.018inch/0.46mm
HPC3210-20	0.020inch/0.51mm

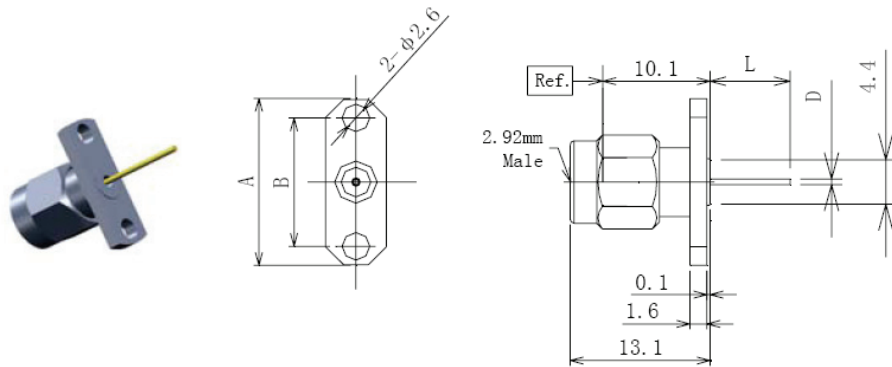


P/N	D
HPC3211-12	0.012inch/0.30mm
HPC3211-15	0.015inch/0.38mm
HPC3211-18	0.018inch/0.46mm
HPC3211-20	0.020inch/0.51mm

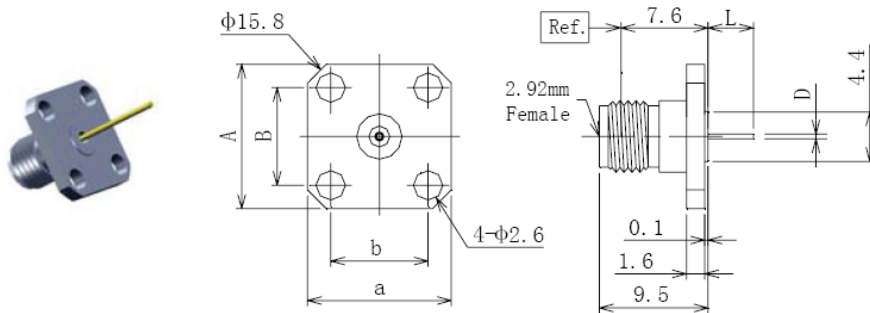
2.92mm Series Bulkhead Flange Connectors



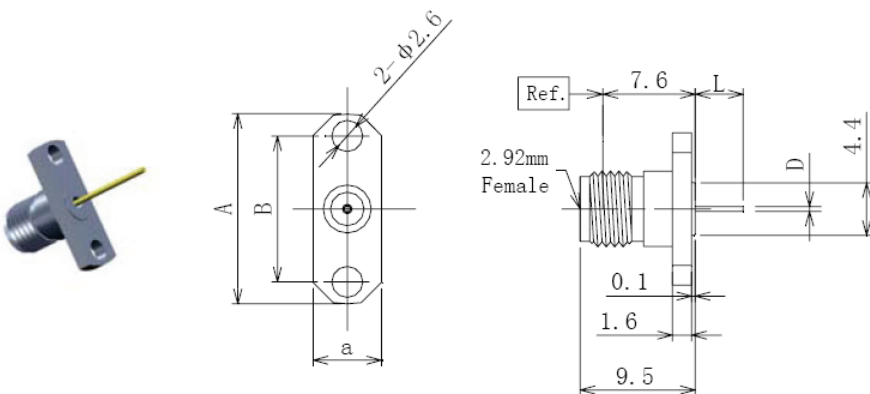
P/N	A	a	B	b
HPC3310-01	12.7	12.7	8.6	8.6
HPC3310-02	9.5	9.5	6.35	6.35
HPC3310-03	12.7	9.5	8.64	5.64



P/N	A	B
HPC3311-01	15.8	12.2
HPC3311-02	14	10.2
HPC3311-03	12.7	8.9



P/N	A	a	B	b
HPC3312-01	12.7	12.7	8.6	8.6
HPC3312-02	9.5	9.5	6.35	6.35
HPC3312-03	12.7	9.5	8.64	5.64



P/N	A	B
HPC3313-01	15.8	12.2
HPC3313-02	14	10.2
HPC3313-03	12.7	8.9

2.4mm Connector Series

Performance Features

Nominal Impedance: 50ohm

Frequency Range: DC-50GHz

VSWR: DC-50GHz... 1.15:1 max

Durability: 500cycles

Operating Temperature: -60°C ~ +165°C

Materials/Finishes

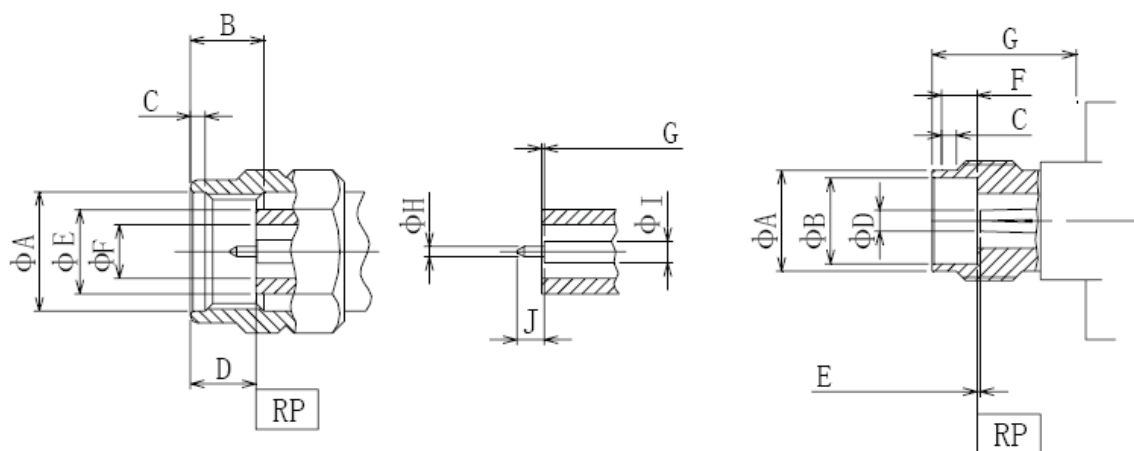
Housing: Type 303 Stainless Steel-Polished & Passivated

Center Contact: Beryllium Copper Plated Gold

Insulators: PEI

Interface: Per MIL-STD-348A

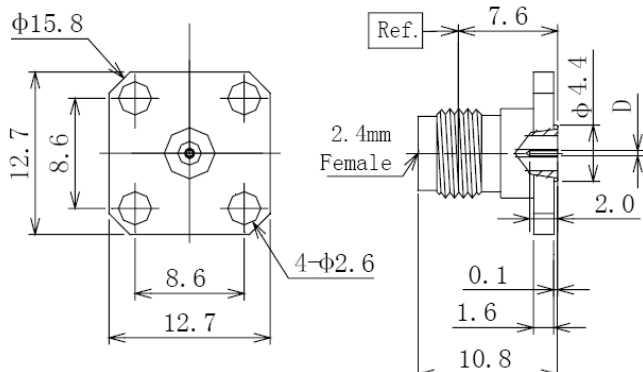
Interface Standards



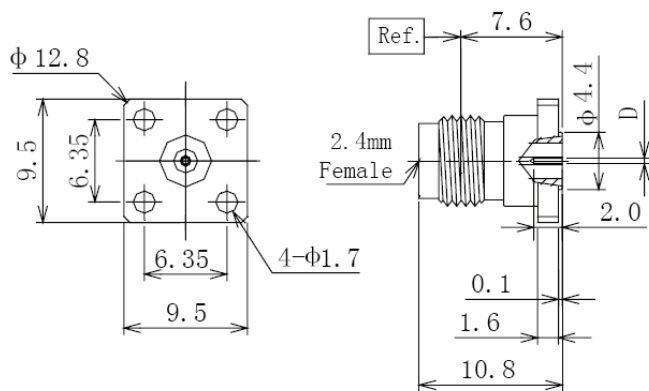
2.4mm Male(mm)		
	Min	Max
A	7.05	7.15
B	4	
C	0.8	
D	1.7	1.9
E	4.725	4.750
F	2.385	2.415
G	0	0.055
H	0.49	0.51
I	1.032	1.052
J	1.305	1.45

2.4mm Female (mm)		
	Min	Max
A	5.7	5.9
B	4.770	4.795
C	1.4	1.6
D	1.12	1.14
E	0	0.055
F	3	3.08
G	6.4	

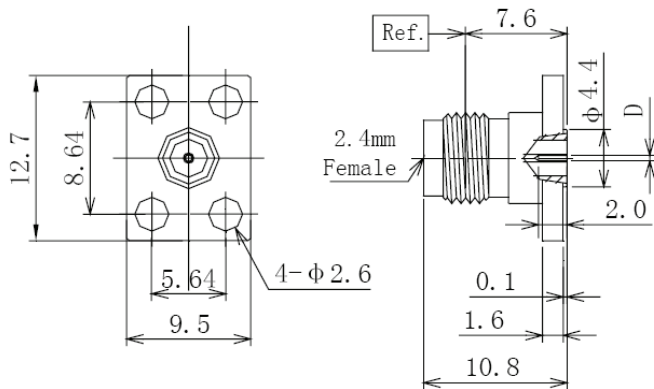
2.4mm Series Field Replaceable Flange Connectors



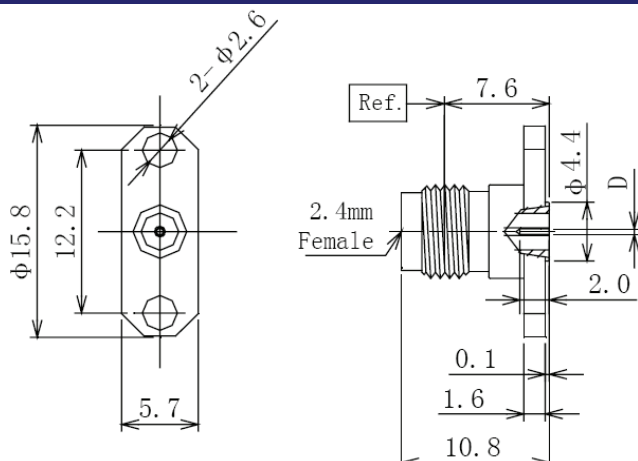
P/N	D
HPC4110-12	0.012inch/0.30mm
HPC4110-15	0.015inch/0.38mm
HPC4110-18	0.018inch/0.46mm
HPC4110-20	0.020inch/0.51mm



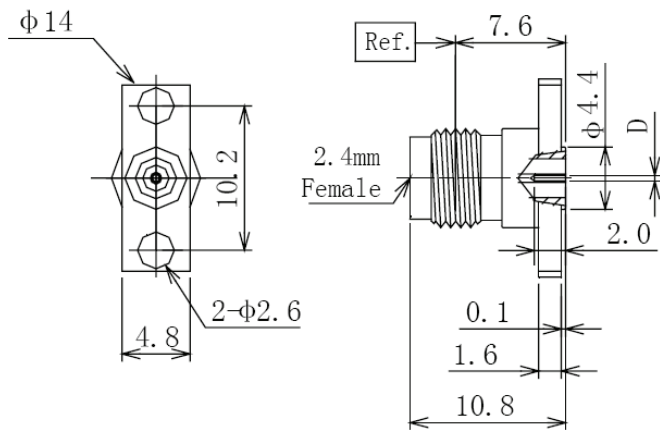
P/N	D
HPC4111-12	0.012inch/0.30mm
HPC4111-15	0.015inch/0.38mm
HPC4111-18	0.018inch/0.46mm
HPC4111-20	0.020inch/0.51mm



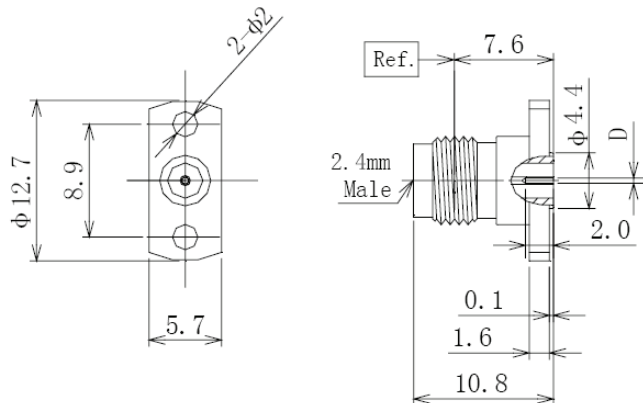
P/N	D
HPC4112-12	0.012inch/0.30mm
HPC4112-15	0.015inch/0.38mm
HPC4112-18	0.018inch/0.46mm
HPC4112-20	0.020inch/0.51mm



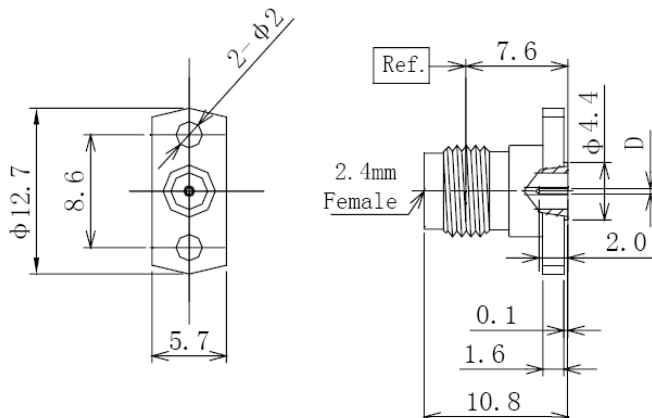
P/N	D
HPC4113-12	0.012inch/0.30mm
HPC4113-15	0.015inch/0.38mm
HPC4113-18	0.018inch/0.46mm
HPC4113-20	0.020inch/0.51mm



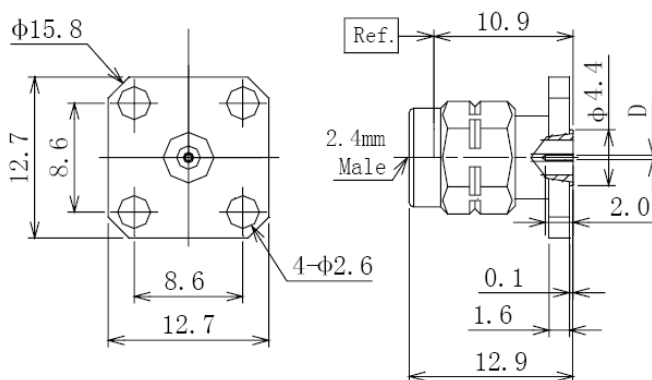
P/N	D
HPC4114-12	0.012inch/0.30mm
HPC4114-15	0.015inch/0.38mm
HPC4114-18	0.018inch/0.46mm
HPC4114-20	0.020inch/0.51mm



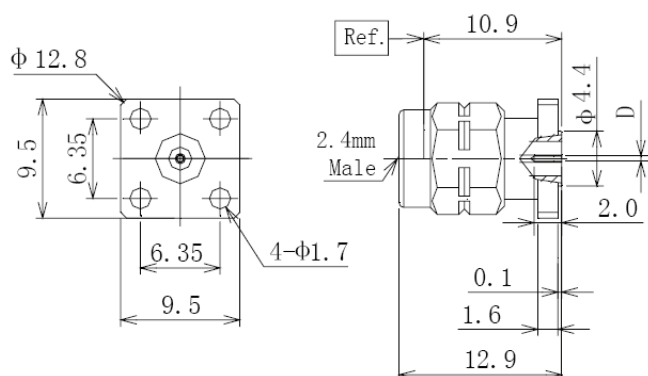
P/N	D
HPC4115-12	0.012inch/0.30mm
HPC4115-15	0.015inch/0.38mm
HPC4115-18	0.018inch/0.46mm
HPC4115-20	0.020inch/0.51mm



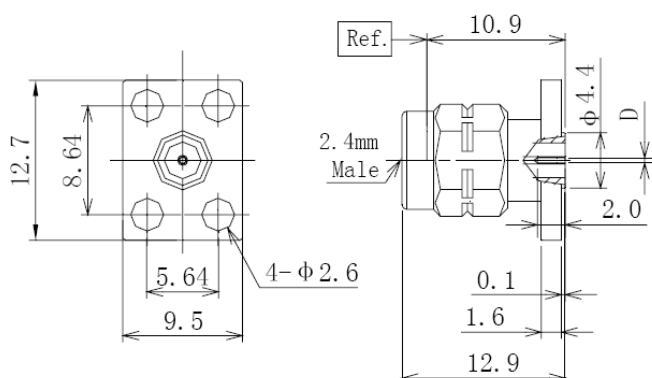
P/N	D
HPC4116-12	0.012inch/0.30mm
HPC4116-15	0.015inch/0.38mm
HPC4116-18	0.018inch/0.46mm
HPC4116-20	0.020inch/0.51mm



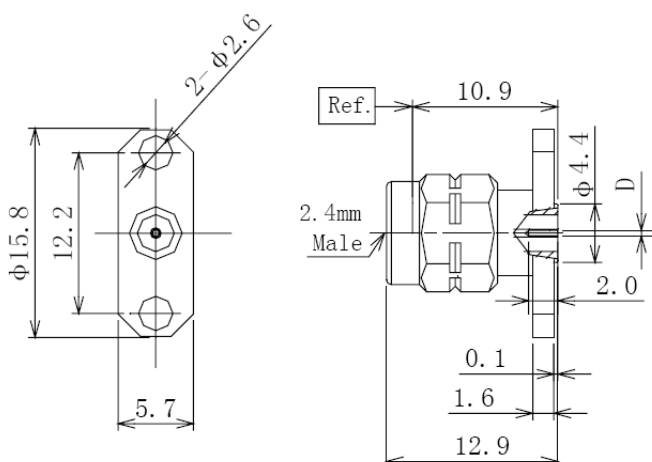
P/N	D
HPC4117-12	0.012inch/0.30mm
HPC4117-15	0.015inch/0.38mm
HPC4117-18	0.018inch/0.46mm
HPC4117-20	0.020inch/0.51mm



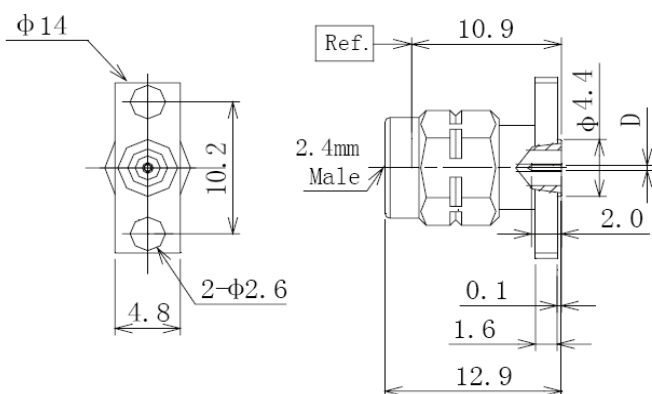
P/N	D
HPC4118-12	0.012inch/0.30mm
HPC4118-15	0.015inch/0.38mm
HPC4118-18	0.018inch/0.46mm
HPC4118-20	0.020inch/0.51mm



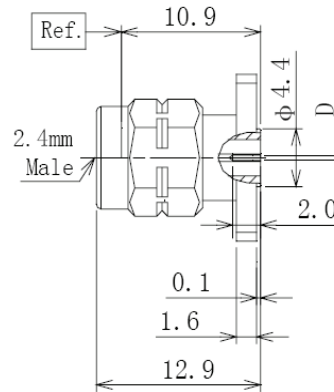
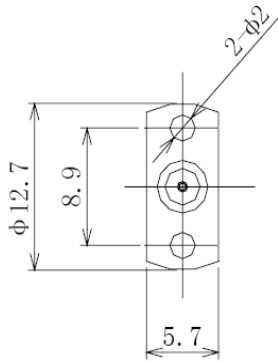
P/N	D
HPC4119-12	0.012inch/0.30mm
HPC4119-15	0.015inch/0.38mm
HPC4119-18	0.018inch/0.46mm
HPC4119-20	0.020inch/0.51mm



P/N	D
HPC4120-12	0.012inch/0.30mm
HPC4120-15	0.015inch/0.38mm
HPC4120-18	0.018inch/0.46mm
HPC4120-20	0.020inch/0.51mm

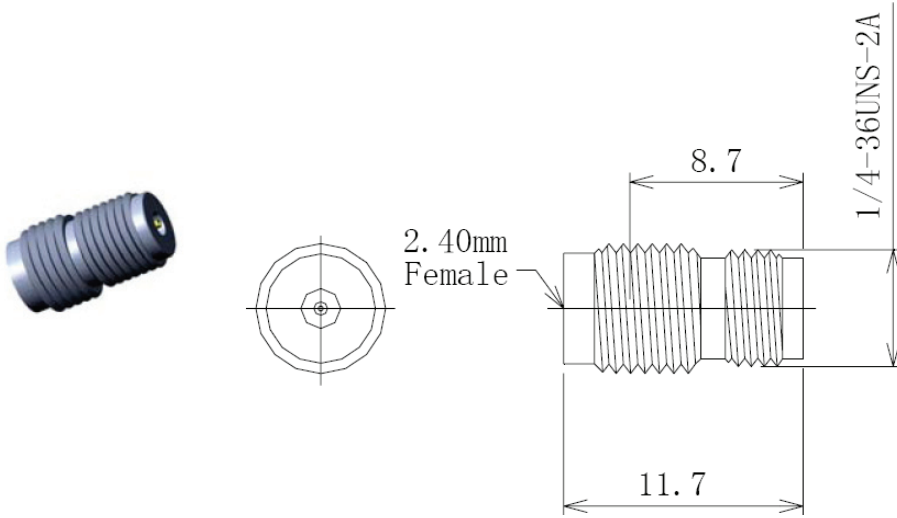


P/N	D
HPC4121-12	0.012inch/0.30mm
HPC4121-15	0.015inch/0.38mm
HPC4121-18	0.018inch/0.46mm
HPC4121-20	0.020inch/0.51mm



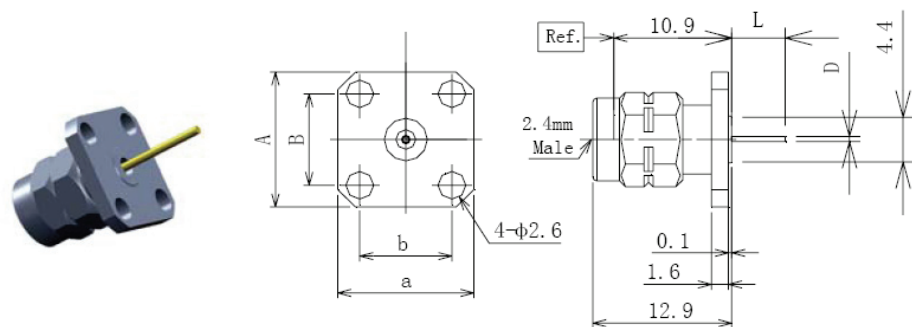
P/N	D
HPC4122-12	0.012inch/0.30mm
HPC4122-15	0.015inch/0.38mm
HPC4122-18	0.018inch/0.46mm
HPC4122-20	0.020inch/0.51mm

2.4mm Series Field Replaceable Thread-in Connectors



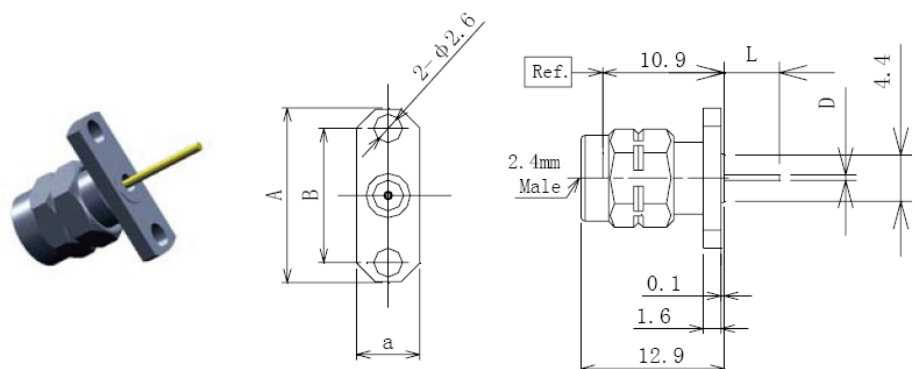
P/N	D
HPC4210-12	0.012inch/0.30mm
HPC4210-15	0.015inch/0.38mm
HPC4210-18	0.018inch/0.46mm
HPC4210-20	0.020inch/0.51mm

2.4mm Series Bulkhead Flange Connectors



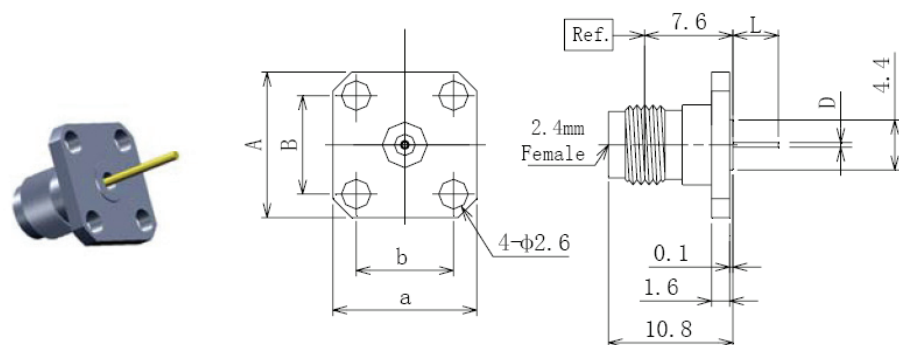
P/N	A	a	B	b
HPC4310-01	12.7	12.7	8.6	8.6
HPC4310-02	9.5	9.5	6.35	6.35
HPC4310-03	12.7	9.5	8.64	5.64

Note: D/L Customized



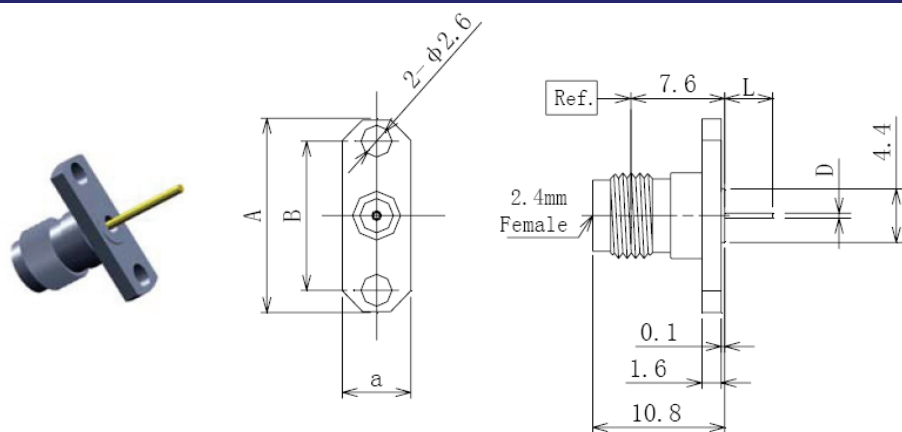
P/N	A	B
HPC4311-01	15.8	12.2
HPC4311-02	14	10.2
HPC4311-03	12.7	8.9

Note: D/L Customized



P/N	A	a	B	b
HPC4312-01	12.7	12.7	8.6	8.6
HPC4312-02	9.5	9.5	6.35	6.35
HPC4312-03	12.7	9.5	8.64	5.64

Note: D/L Customized



P/N	A	B
HPC4313-01	15.8	12.2
HPC4313-02	14	10.2
HPC4313-03	12.7	8.9

Note: D/L Customized

N Type Connector Series

Performance Features

Nominal Impedance: 50ohm

Frequency Range: DC-18GHz

VSWR: DC-18GHz.... 1.15:1 max

Durability: 500cycles

Operating Temperature: -60°C ~ +165°C

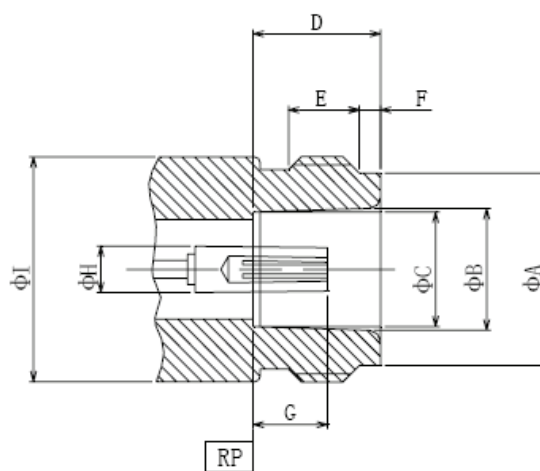
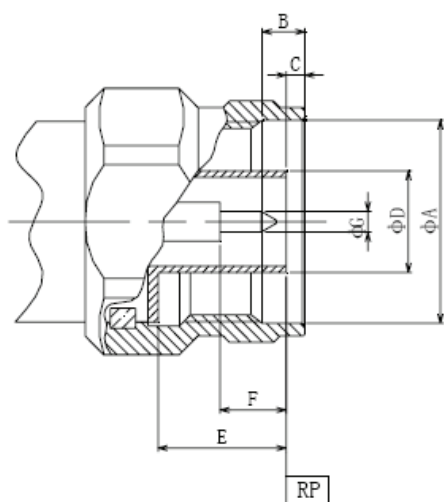
Materials/Finishes

Housing: Type 303 Stainless Steel-Polished & Passivated

Center Contact: Beryllium Copper Plated Gold

Insulators: PEI & PTFE

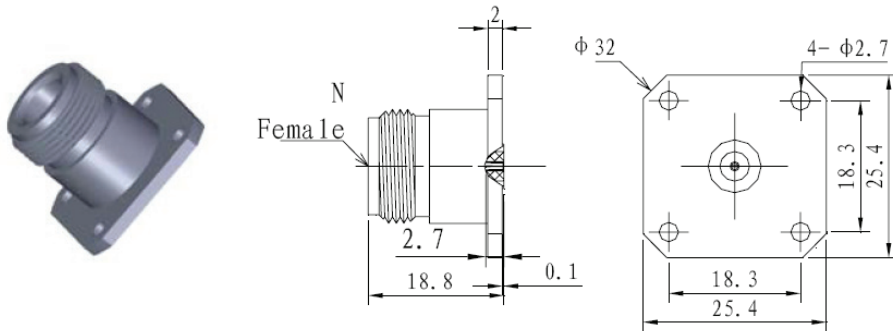
Interfaces: Per MIL-STD-348A



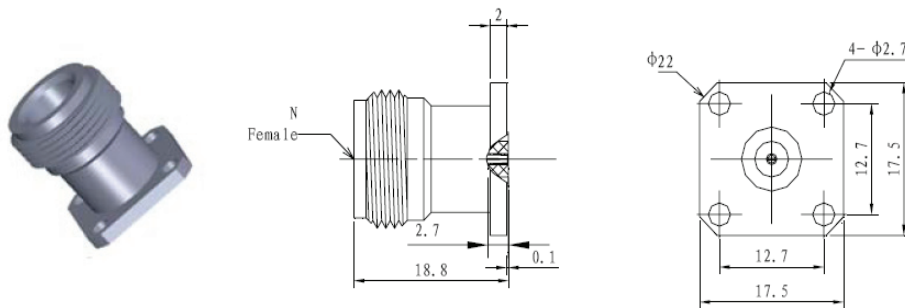
N Male (mm)		
LTR	Min	Max
A	15	17
B	3.3	3.5
C	1.3	1.55
D	8	8.035
E	10.1	10.3
F	5.36	5.46
G	1.62	1.65

N Female (mm)		
LTR	Min	Max
A	13.4	13.6
B	8.5	8.7
C	8.05	8.086
D	8.88	9.16
E	4.9	5.1
F	1.4	1.6
G	5.16	5.26
H	3.025	3.055
I	15.75	15.88

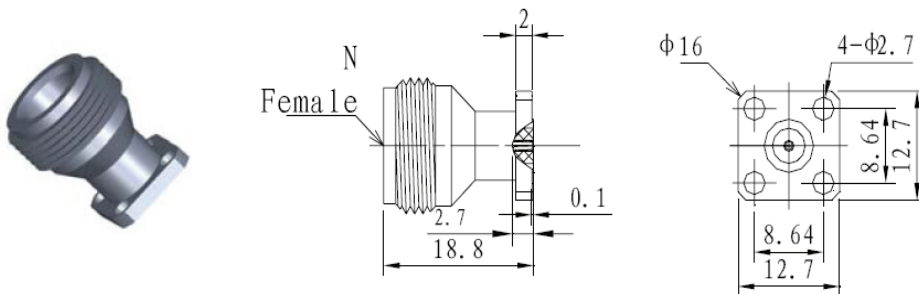
N Series Field Replaceable Flange Connectors



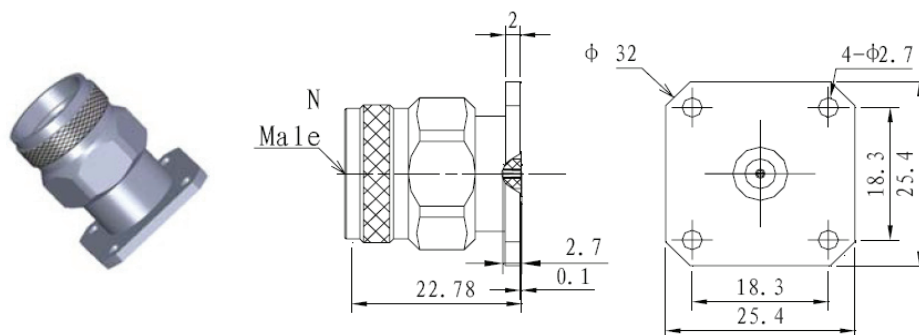
P/N	D
HPC5110-18	0.018inch/0.46mm
HPC5110-20	0.020inch/0.51mm
HPC5110-36	0.036inch/0.91mm



P/N	D
HPC5111-18	0.018inch/0.46mm
HPC5111-20	0.020inch/0.51mm
HPC5111-36	0.036inch/0.91mm

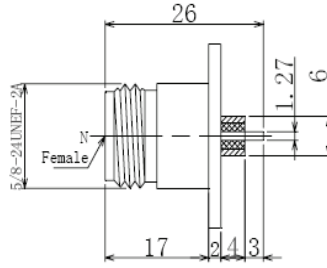
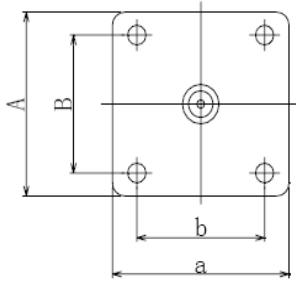


P/N	D
HPC5112-18	0.018inch/0.46mm
HPC5112-20	0.020inch/0.51mm
HPC5112-36	0.036inch/0.91mm



P/N	D
HPC5113-18	0.018inch/0.46mm
HPC5113-20	0.020inch/0.51mm
HPC5113-36	0.036inch/0.91mm

N Series Bulkhead Flange Connectors



P/N	A	a	B	b
HPC5210-01	25.4	25.4	18.28	18.28
HPC5210-02	17.52	17.52	12.7	12.7
HPC5210-03	12.7	12.7	8.64	8.64
HPC5210-04	28	18	21	10

SSMA Connector Series

Performance Features

Nominal Impedance: 50ohm

Frequency Range: DC-40GHz

VSWR: DC-40GHz... 1.20:1 max

Durability: 500 cycles

Operating Temperature: -60°C ~ +165°C

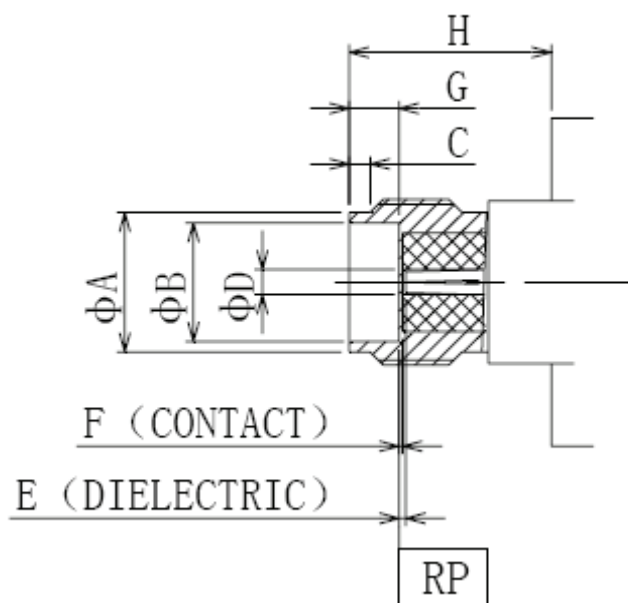
Interfaces: Per MIL-STD-348A

Materials/Finishes

Housing: Type 303 Stainless steel-Polished & Passivated

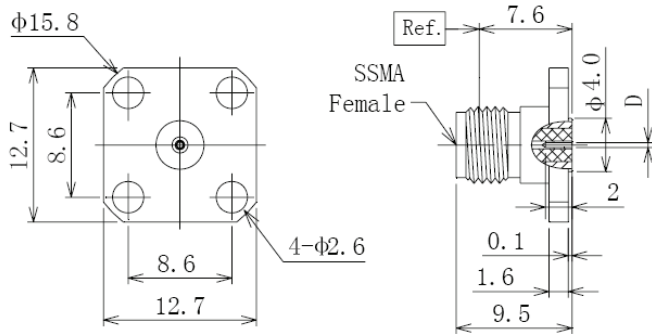
Center Contact: Beryllium Copper Plated Gold

Insulators: PEI & PTFE

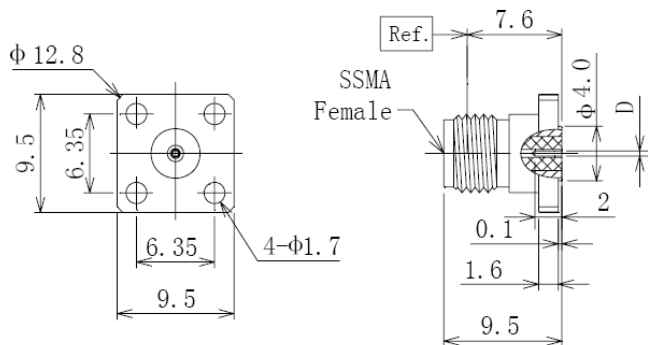


SSMA Female (mm)		
LTR	Min	Max
A	3.85	4.05
B	3.23	3.28
C	0.9	1.1
D	0.8373	0.8627
E	0	0.03
F	0	0.04
G	1.79	1
H	7.8	8.0

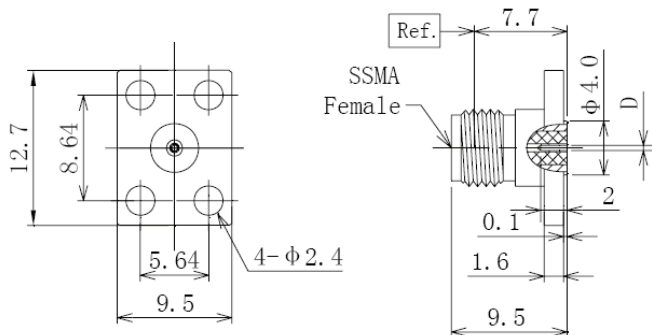
SSMA Series Field Replaceable Flange Connectors



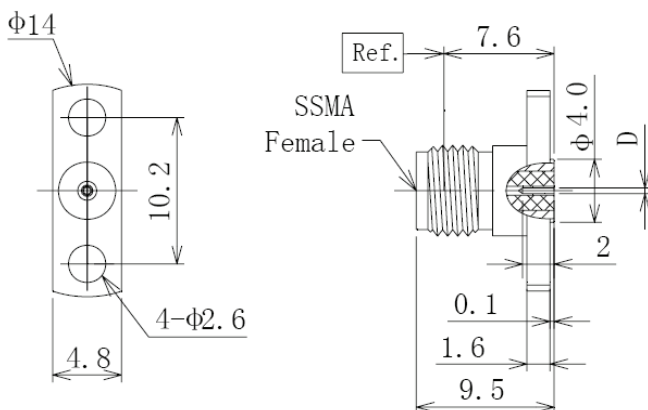
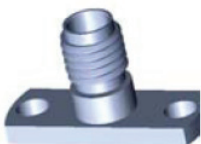
P/N	D
HPC6110-12	0.012inch/0.30mm
HPC6110-15	0.015inch/0.38mm
HPC6110-18	0.018inch/0.46mm
HPC6110-20	0.020inch/0.51mm



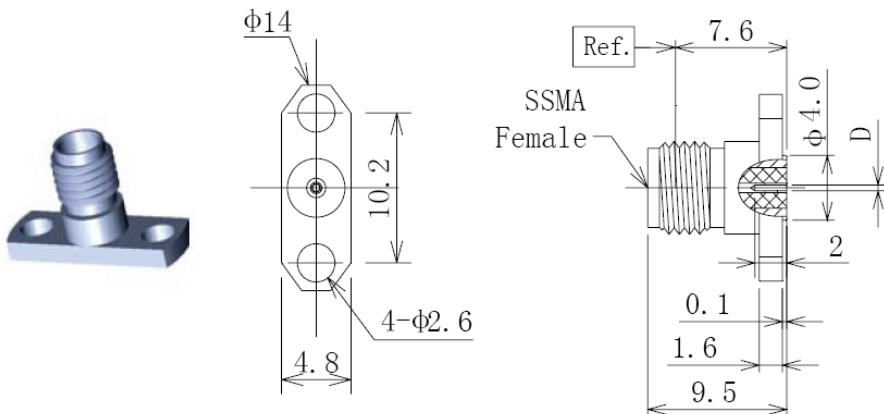
P/N	D
HPC6111-12	0.012inch/0.30mm
HPC6111-15	0.015inch/0.38mm
HPC6111-18	0.018inch/0.46mm
HPC6111-20	0.020inch/0.51mm



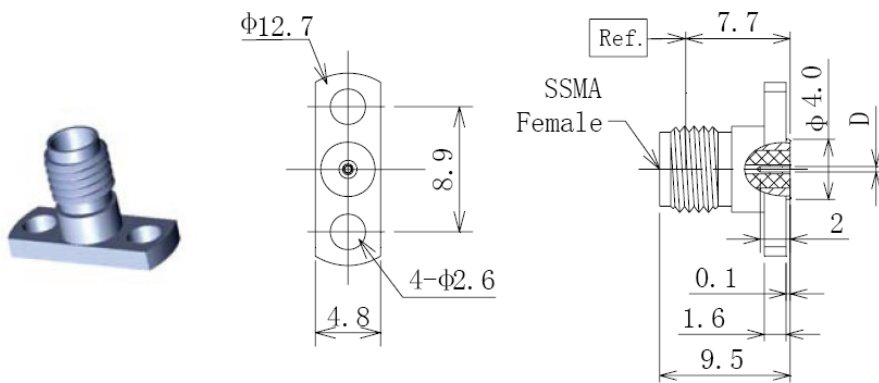
P/N	D
HPC6112-12	0.012inch/0.30mm
HPC6112-15	0.015inch/0.38mm
HPC6112-18	0.018inch/0.46mm
HPC6112-20	0.020inch/0.51mm



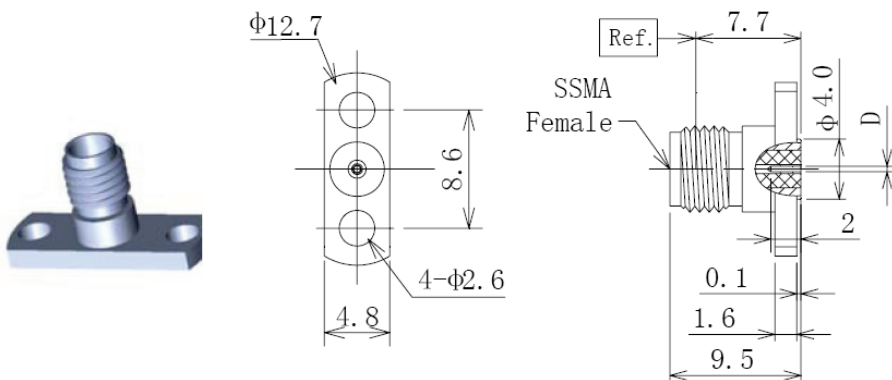
P/N	D
HPC6113-12	0.012inch/0.30mm
HPC6113-15	0.015inch/0.38mm
HPC6113-18	0.018inch/0.46mm
HPC6113-20	0.020inch/0.51mm



P/N	D
HPC6114-12	0.012inch/0.30mm
HPC6114-15	0.015inch/0.38mm
HPC6114-18	0.018inch/0.46mm
HPC6114-20	0.020inch/0.51mm

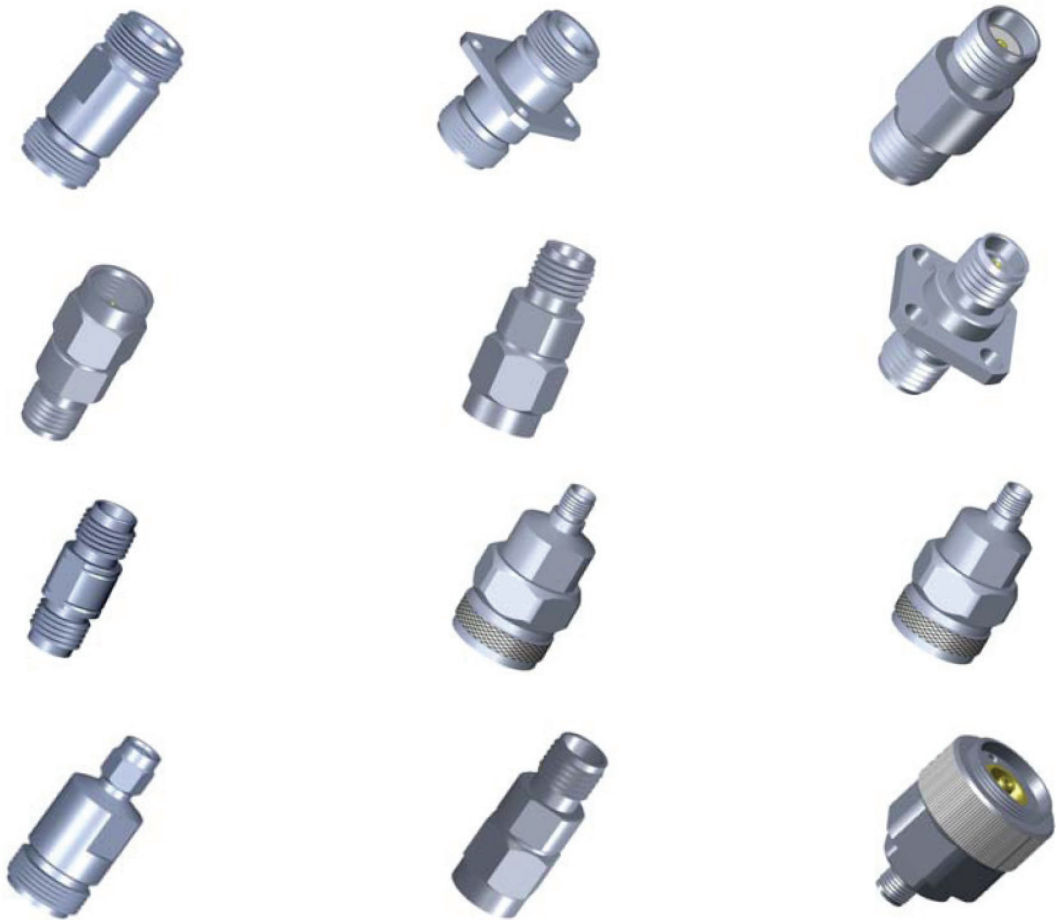


P/N	D
HPC6115-12	0.012inch/0.30mm
HPC6115-15	0.015inch/0.38mm
HPC6115-18	0.018inch/0.46mm
HPC6115-20	0.020inch/0.51mm



P/N	D
HPC6116-12	0.012inch/0.30mm
HPC6116-15	0.015inch/0.38mm
HPC6116-18	0.018inch/0.46mm
HPC6116-20	0.020inch/0.51mm

RF Coaxial Adapters



N Type In-Series Adapters

Performance Features

Nominal Impedance: 50ohm

Frequency Range: DC-18GHz

Durability: 500cycles

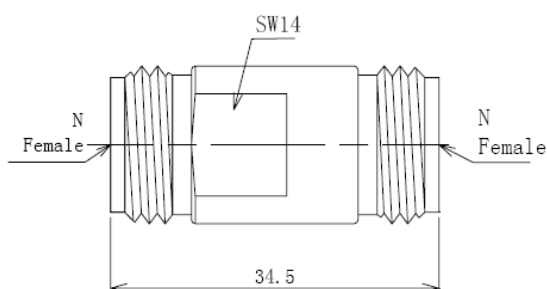
Operating Temperature:-60°C ~ +165°C

Materials/Finishes

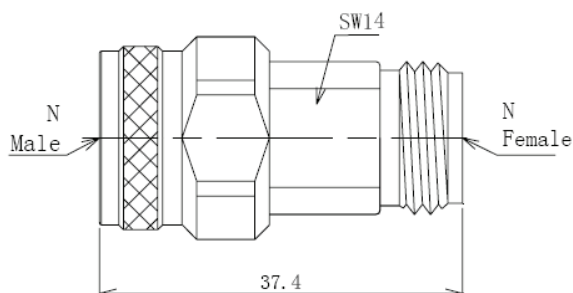
Housing: Type 303 Stainless Steel-Polished & Passivated

Center Contact: Beryllium Copper Plated Gold

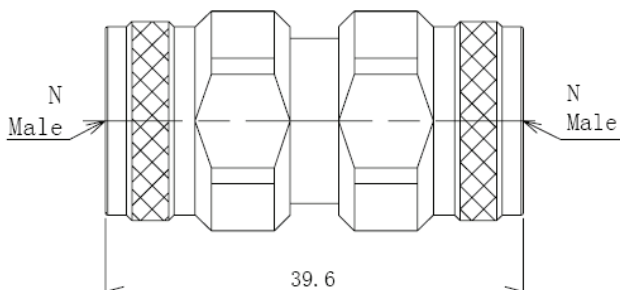
Insulators: PEI



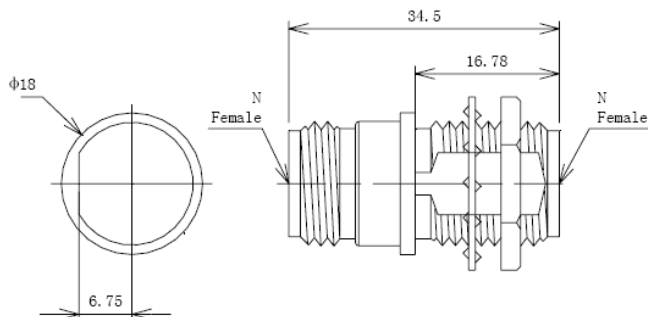
P/N	HPA111-01
Description	N/Female-N/Female
VSWR	DC-18GHz...1.15:1 max



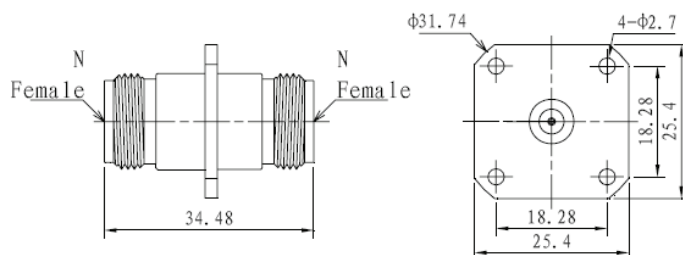
P/N	HPA111-02
Description	N/Male-N/Female
VSWR	DC-18GHz...1.15:1 max



P/N	HPA111-03
Description	N/Male-N/Male
VSWR	DC-18GHz...1.15:1 max



P/N	HPA111-04
Description	N/Female-N/Female
VSWR	DC-18GHz...1.15:1 max



P/N	HPA111-05
Description	N/Female-N/Female
VSWR	DC-18GHz...1.15:1 max

SMA In-Series Adapters

Performance Features

Nominal Impedance: 50ohm

Frequency Range: DC-27GHz

Durability: 500cycles

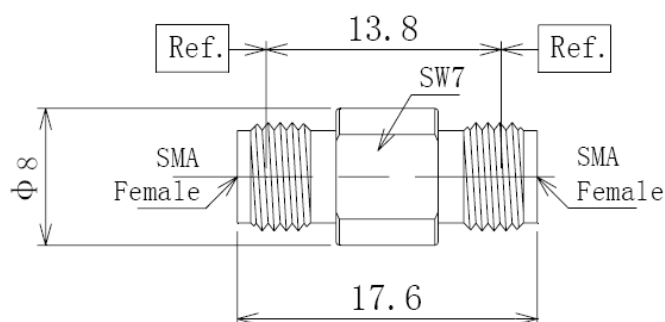
Operating Temperature: -50°C ~ +125°C

Materials/Finishes

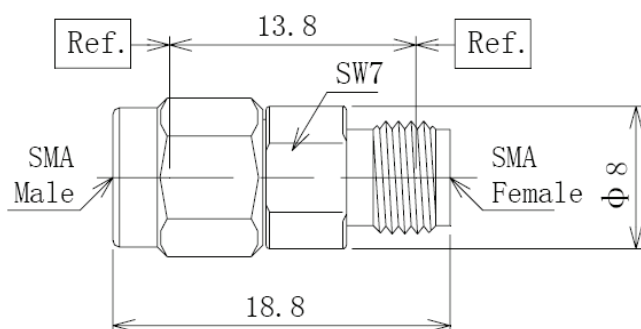
Housing: Type 303 Stainless Steel- Polished & Passivated

Center Contact: Beryllium Copper Plated Gold

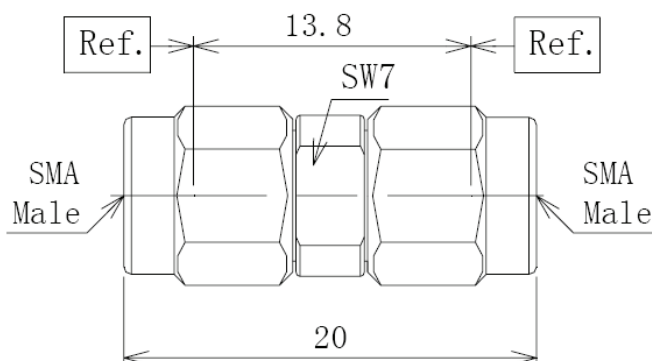
Insulators: PEI & PTFE



P/N	HPA112-01
Description	SMA/Female-SMA/Female
VSWR	DC-27GHz...1.15:1 max



P/N	HPA112-02
Description	SMA/Male-SMA/Female
VSWR	DC-27GHz...1.15:1 max



P/N	HPA112-03
Description	SMA/Male-SMA/Male
VSWR	DC-27GHz...1.15:1 max

3.5mm In-Series Adapters

Performance Features

Nominal Impedance: 50ohm

Frequency Range: DC-33GHz

Durability: 500cycles

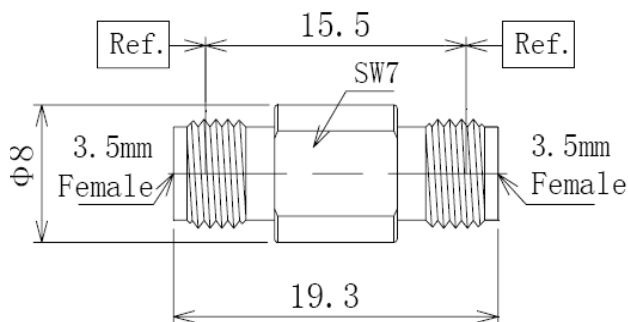
Operating Temperature: -60°C ~ +165°C

Materials/Finishes

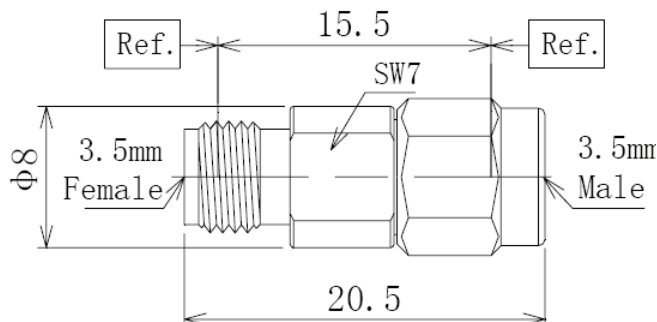
Housing: Type 303 Stainless Steel – Polished & Passivated

Center Contact: Beryllium Copper Plated Gold

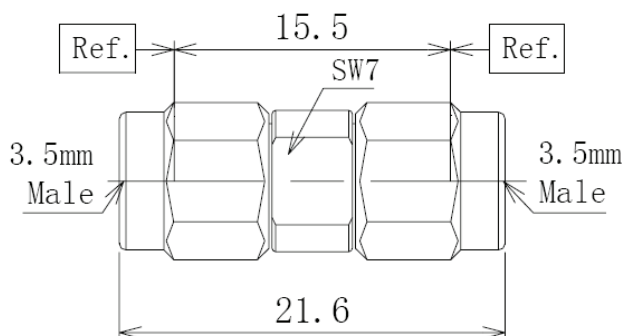
Insulators: PEI



P/N	HPA113-01
Description	3.5mm/Female-3.5mm/Female
VSWR	DC-33GHz...1.15:1 max



P/N	HPA113-02
Description	3.5mm/Female-3.5mm/Male
VSWR	DC-33GHz...1.15:1 max



P/N	HPA113-03
Description	3.5mm/Male-3.5mm/Male
VSWR	DC-33GHz...1.15:1 max

2.92mm In-Series Adapters

Performance Features

Nominal Impedance: 50ohm

Frequency Range: DC-40GHz

Durability: 500 cycles

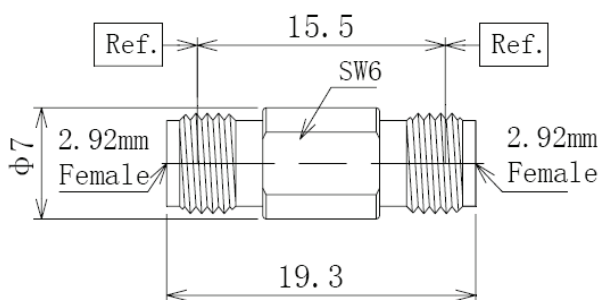
Operating Temperature: -60°C ~ +165°C

Materials/Finishes

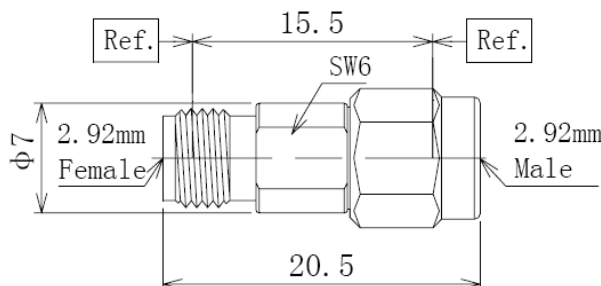
Housing: Type 303 Stainless Steel- Polished & Passivated

Center Contact: Beryllium Copper Plated Gold

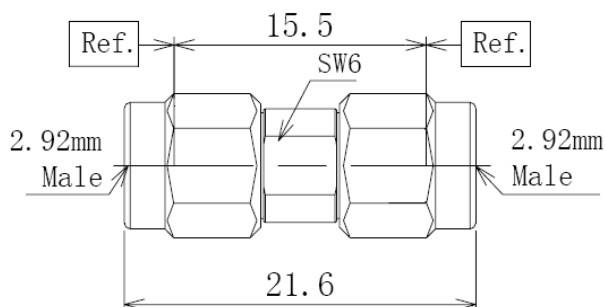
Insulators: PEI



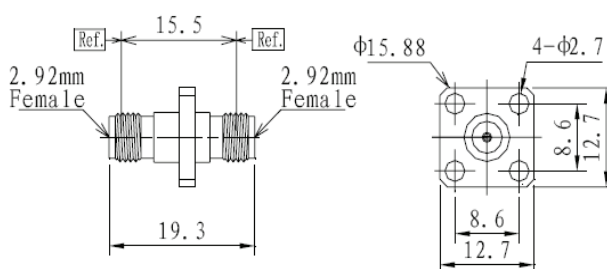
P/N	HPA114-01
Description	2.92mm/Female-2.92mm/Female
VSWR	DC-40GHz...1.20:1 max



P/N	HPA114-02
Description	2.92mm/Male-2.92mm/Female
VSWR	DC-40GHz...1.20:1 max



P/N	HPA114-03
Description	2.92mm/Male-2.92mm/Male
VSWR	DC-40GHz...1.20:1 max



P/N	HPA114-04
Description	2.92mm/Female-2.92mm/Female
VSWR	DC-40GHz...1.20:1 max

2.4mm In-Series Adapters

Performance Features

Nominal Impedance: 50ohm

Frequency Range: DC-50GHz

Durability: 500cycles

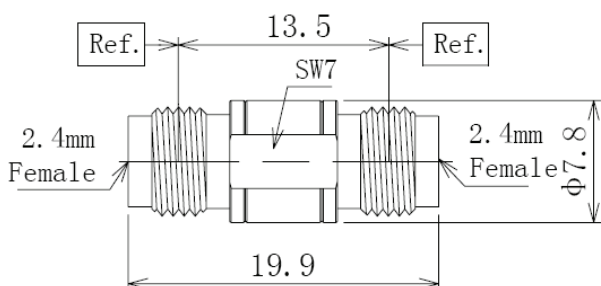
Operating Temperature: -60°C ~ +165°C

Materials/Finishes

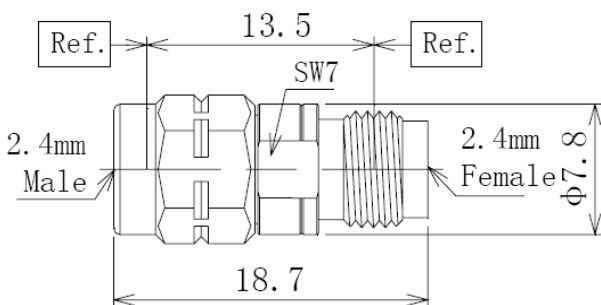
Housing: Type 303 Stainless Steel – Polished & Passivated

Center Contact: Beryllium Copper Plated Gold

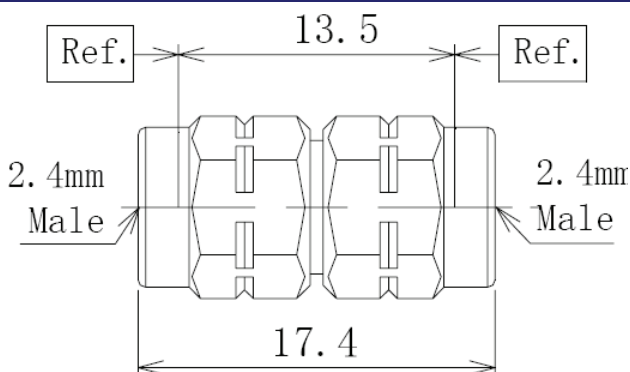
Insulators: PEI



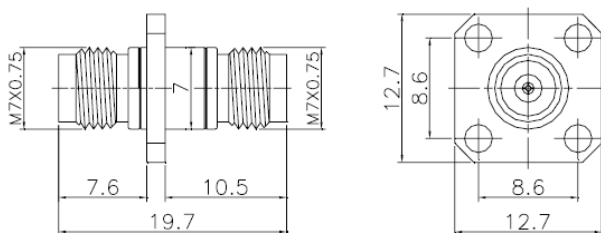
P/N	HPA115-01
Description	2.4mm/Female-2.4mm/Female
VSWR	DC-50GHz...1.20:1 max



P/N	HPA115-02
Description	2.4mm/Male-2.4mm/Female
VSWR	DC-50GHz...1.20:1 max



P/N	HPA115-03
Description	2.4mm/Male-2.4mm/Male
VSWR	DC-50GHz...1.20:1 max



P/N	HPA115-04
Description	2.4mm/Female-2.4mm/Female
VSWR	DC-50GHz...1.20:1 max

N-3.5mm Between Series Adapters

Performance Features

Nominal Impedance: 50ohm

Frequency Range: DC-18GHz

Durability: 500cycles

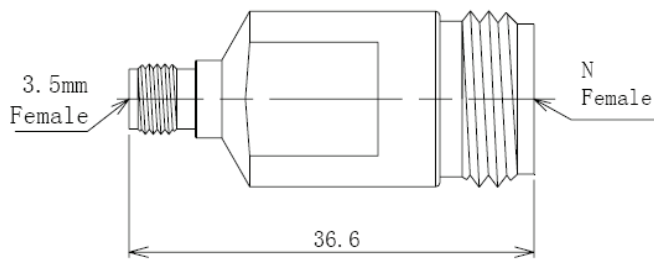
Operating Temperature: -60°C ~ +165°C

Materials/Finishes

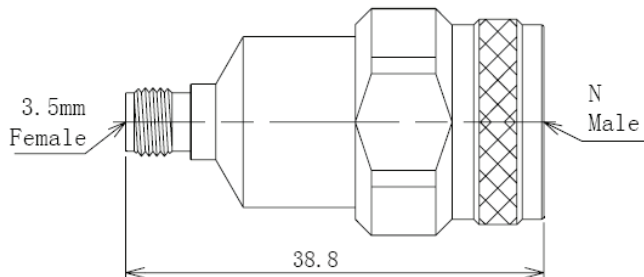
Housing: Type 303 Stainless Steel – Polished & Passivated

Center Contact: Beryllium Copper Plated Gold

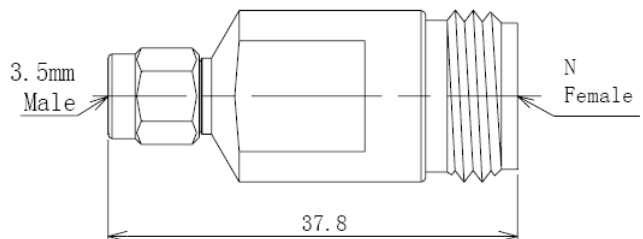
Insulators: PEI



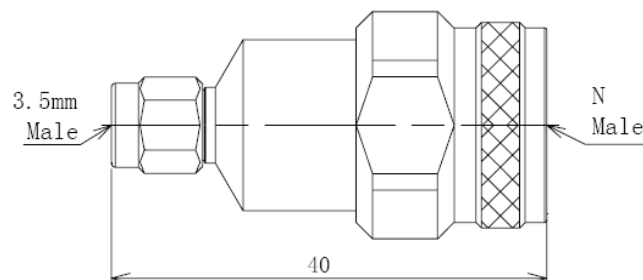
P/N	HPA121-01
Description	N/Female-3.5mm/Female
VSWR	DC-18GHz...1.15:1 max



P/N	HPA121-02
Description	N/Male-3.5mm/Female
VSWR	DC-18GHz...1.15:1 max



P/N	HPA121-03
Description	N/Female-3.5mm/Male
VSWR	DC-18GHz...1.15:1 max



P/N	HPA121-04
Description	N/Male-3.5mm/Male
VSWR	DC-18GHz...1.15:1 max

N-2.92mm Between Series Adapters

Performance Features

Nominal Impedance: 50ohm

Frequency Range: DC-18GHz

Durability: 500cycles

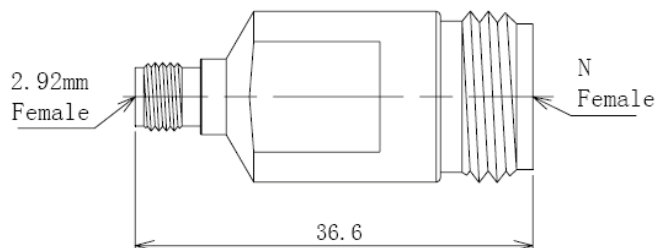
Operating Temperature: -60°C ~ +165°C

Materials/Finishes

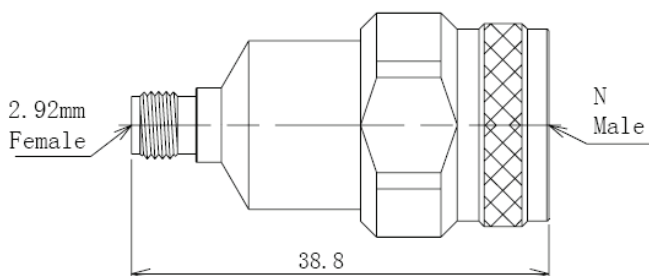
Housing: Type 303 Stainless Steel – Polished & Passivated

Center Contact: Beryllium Copper Plated Gold

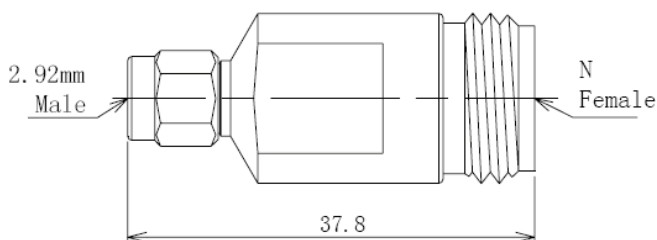
Insulators: PEI



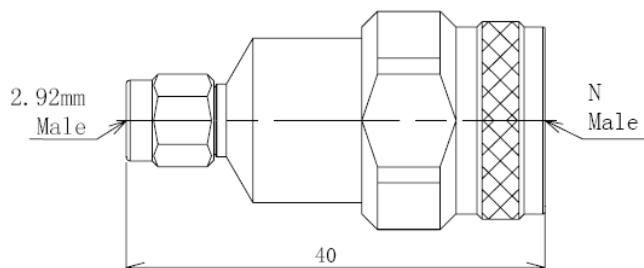
P/N	HPA122-01
Description	N/Female-2.92mm/Female
VSWR	DC-18GHz...1.15:1 max



P/N	HPA122-02
Description	N/Male-2.92mm/Female
VSWR	DC-18GHz...1.15:1 max



P/N	HPA122-03
Description	N/Female-2.92mm/Male
VSWR	DC-18GHz...1.15:1 max



P/N	HPA122-04
Description	N/Male-2.92mm/Male
VSWR	DC-18GHz...1.15:1 max

N-2.4mm Between Series Adapters

Performance Features

Nominal Impedance: 50ohm

Frequency Range: DC-18GHz

Durability: 500cycles

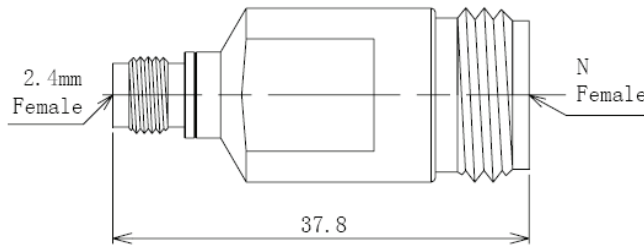
Operating Temperature: -60°C ~ +165°C

Materials/Finishes

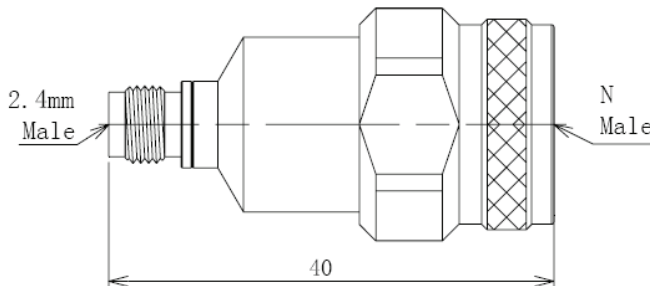
Housing: Type 303 Stainless Steel – Polished & Passivated

Center Contact: Beryllium Copper Plated Gold

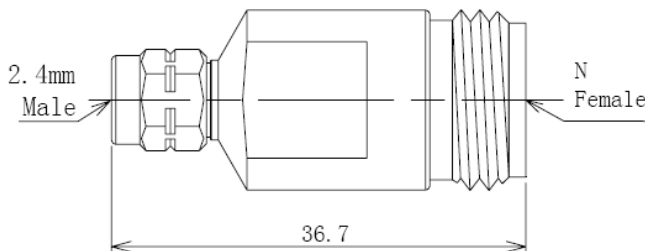
Insulators: PEI



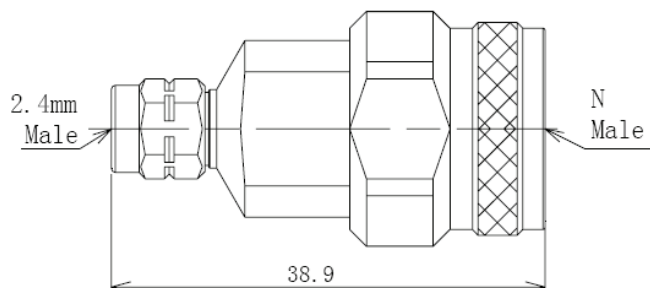
P/N	HPA123-01
Description	N/Female-2.4mm/Female
VSWR	DC-18GHz...1.15:1 max



P/N	HPA123-02
Description	N/Male-2.4mm/Female
VSWR	DC-18GHz...1.15:1 max



P/N	HPA123-03
Description	N/Female-2.4mm/Male
VSWR	DC-18GHz...1.15:1 max



P/N	HPA123-04
Description	N/Male-2.4mm/Male
VSWR	DC-18GHz...1.15:1 max

N-TNC Between Series Adapters

Performance Features

Nominal Impedance: 50ohm

Frequency Range: DC-18GHz

Durability: 500cycles

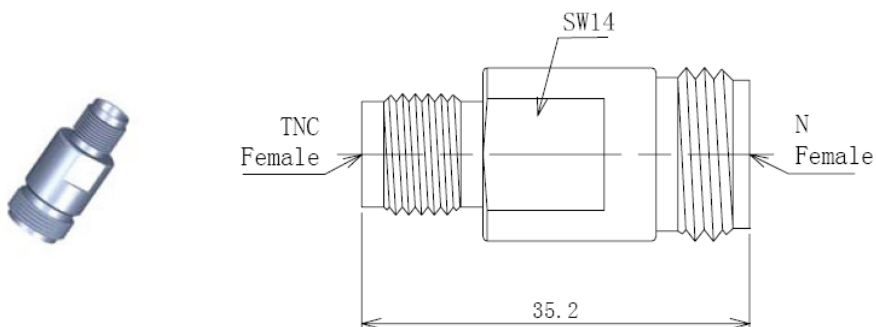
Operating Temperature: -50°C ~ +125°C

Materials/Finishes

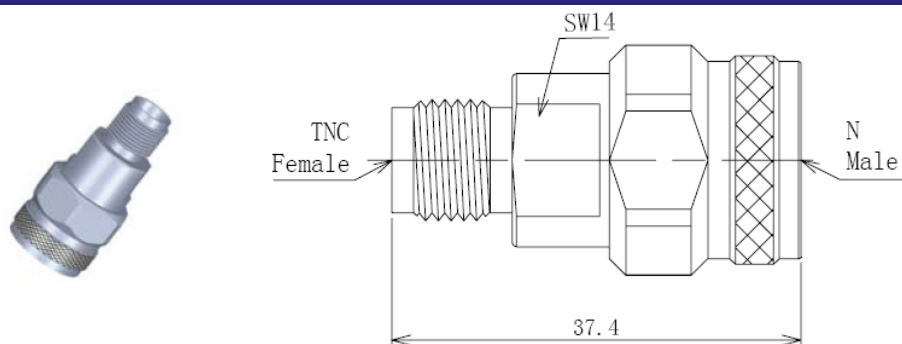
Housing: Type 303 Stainless Steel – Polished & Passivated

Center Contact: Beryllium Copper Plated Gold

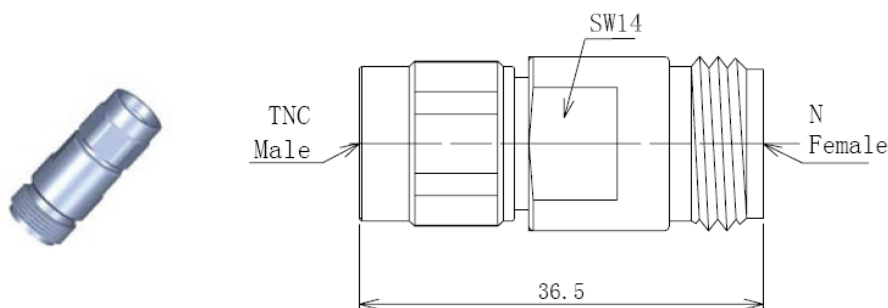
Insulators: PEI & PTFE



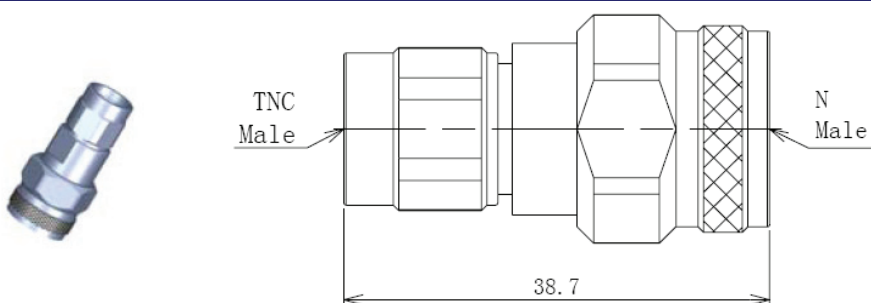
P/N	HPA124-01
Description	N/Female-TNC/Female
VSWR	DC-18GHz...1.15:1 max



P/N	HPA124-02
Description	N/Male-TNC/Female
VSWR	DC-18GHz...1.15:1 max



P/N	HPA124-03
Description	N/Female-TNC/Male
VSWR	DC-18GHz...1.15:1 max



P/N	HPA124-04
Description	N/Male-TNC/Male
VSWR	DC-18GHz...1.15:1 max

N-SMA Between Series Adapters

Performance Features

Nominal Impedance: 50ohm

Frequency Range: DC-18GHz

Durability: 500cycles

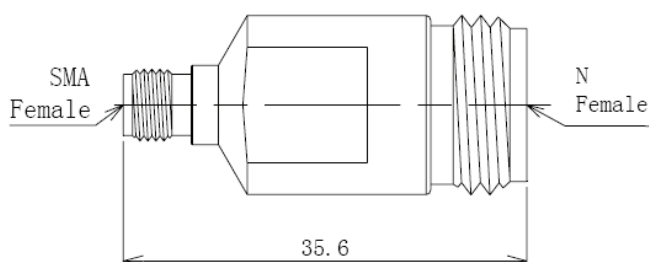
Operating Temperature: -60°C ~ +165°C

Materials/Finishes

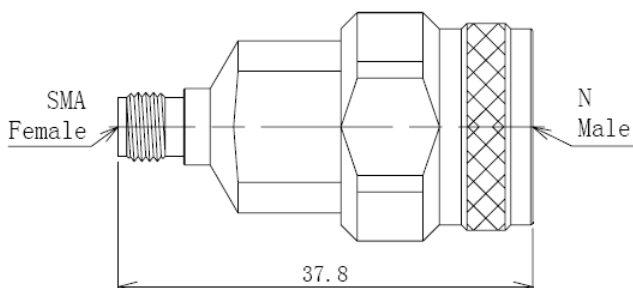
Housing: Type 303 Stainless Steel – Polished & Passivated

Center Contact: Beryllium Copper Plated Gold

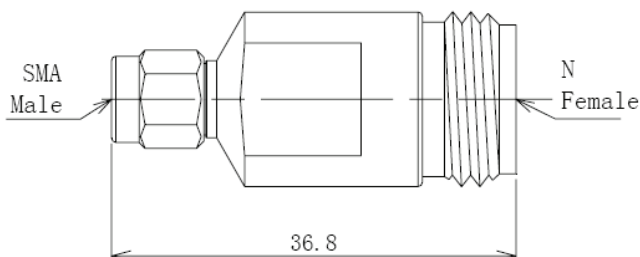
Insulators: PEI & PTFE



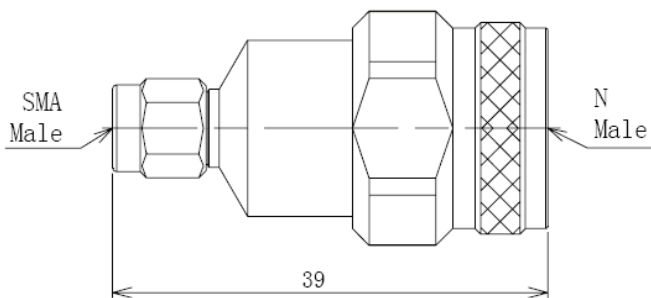
P/N	HPA125-01
Description	N/Female-SMA/Female
VSWR	DC-18GHz...1.15:1 max



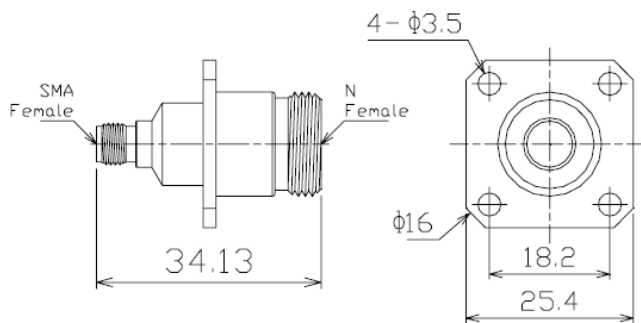
P/N	HPA125-02
Description	N/Male-SMA/Female
VSWR	DC-18GHz...1.15:1 max



P/N	HPA125-03
Description	N/Female-SMA/Male
VSWR	DC-18GHz...1.15:1 max



P/N	HPA125-04
Description	N/Male-SMA/Male
VSWR	DC-18GHz...1.15:1 max



P/N	HPA125-05
Description	N/Female-SMA/Female
VSWR	DC-18GHz...1.15:1 max

3.5mm-2.92mm Between Series Adapters

Performance Features

Nominal Impedance: 50ohm

Frequency Range: DC-33GHz

Durability: 500cycles

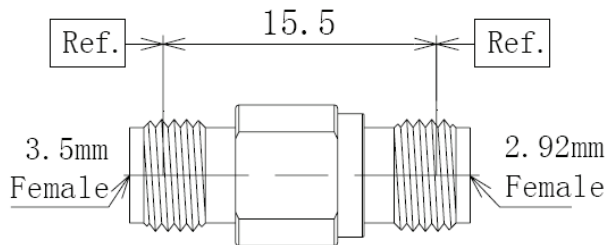
Operating Temperature: -60°C ~ +165°C

Materials/Finishes

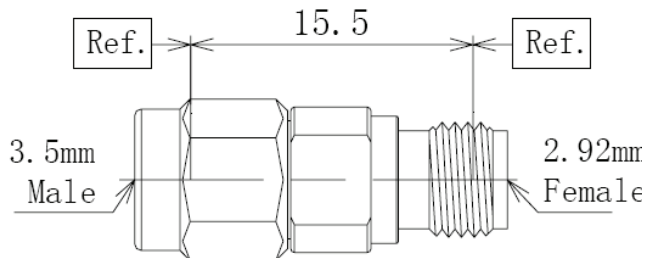
Housing: Type 303 Stainless Steel – Polished & Passivated

Center Contact: Beryllium Copper Plated Gold

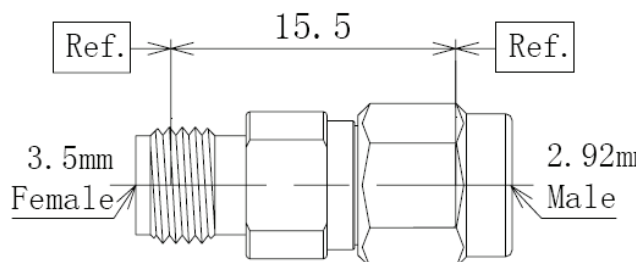
Insulators: PEI



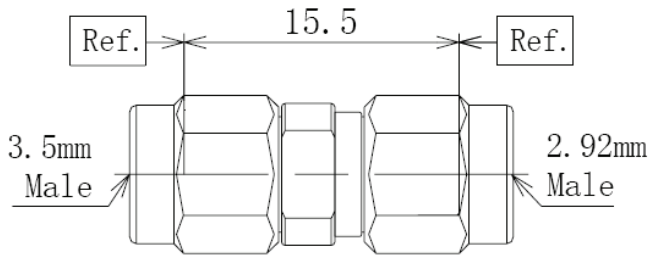
P/N	HPA131-01
Description	3.5mm/Female-2.92mm/Female
VSWR	DC-33GHz...1.15:1 max



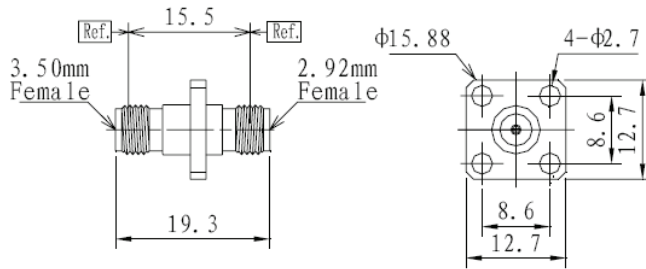
P/N	HPA131-02
Description	3.5mm/Male-2.92mm/Female
VSWR	DC-33GHz...1.15:1 max



P/N	HPA131-03
Description	3.5mm/Female-2.92mm/Male
VSWR	DC-33GHz...1.15:1 max



P/N	HPA131-04
Description	3.5mm/Male-2.92mm/Male
VSWR	DC-33GHz...1.15:1 max



P/N	HPA131-05
Description	3.5mm/Female-2.92mm/Female
VSWR	DC-33GHz...1.15:1 max

3.5mm-2.4mm Between Series Adapters

Performance Features

Nominal Impedance: 50ohm

Frequency Range: DC-33GHz

Durability: 500cycles

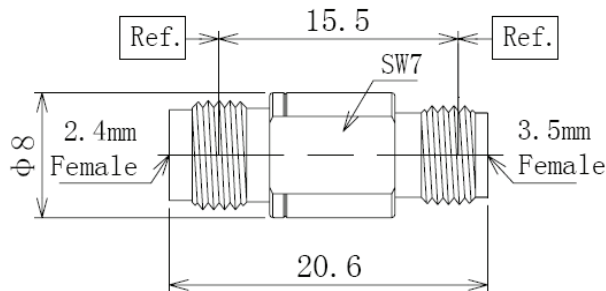
Operating Temperature: -60°C ~ +165°C

Materials/Finishes

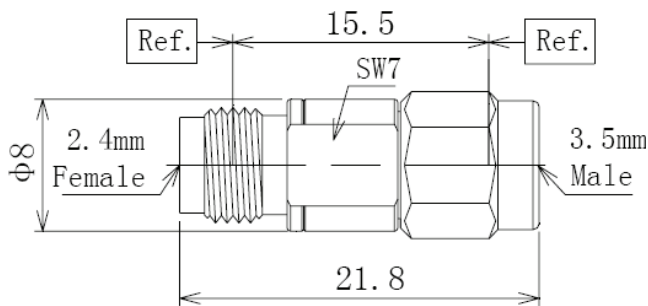
Housing: Type 303 Stainless Steel – Polished & Passivated

Center Contact: Beryllium Copper Plated Gold

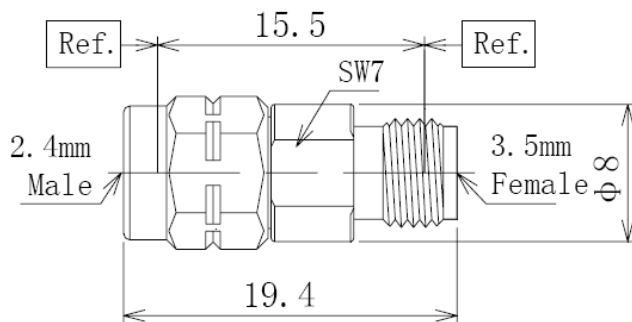
Insulators: PEI



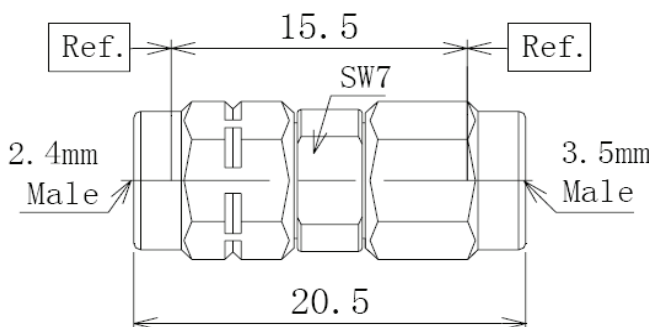
P/N	HPA132-01
Description	3.5mm/Female-2.4mm/Female
VSWR	DC-33GHz...1.15:1 max



P/N	HPA132-02
Description	3.5mm/Male-2.4mm/Female
VSWR	DC-33GHz...1.15:1 max



P/N	HPA132-03
Description	3.5mm/Female-2.4mm/Male
VSWR	DC-33GHz...1.15:1 max



P/N	HPA132-04
Description	3.5mm/Male-2.4mm/Male
VSWR	DC-33GHz...1.15:1 max

2.92mm-2.4mm Between Series Adapters

Performance Features

Nominal Impedance: 50ohm

Frequency Range: DC-40GHz

Durability: 500cycles

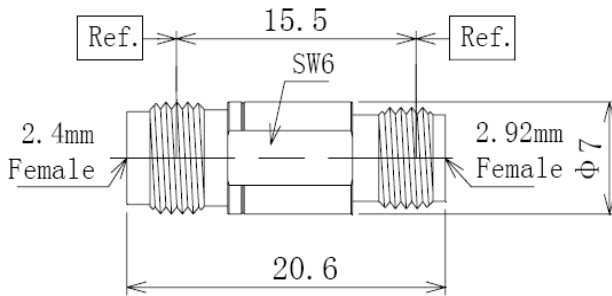
Operating Temperature: -60°C ~ +165°C

Materials/Finishes

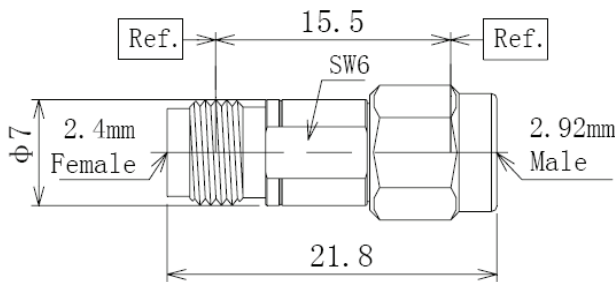
Housing: Type 303 Stainless Steel – Polished & Passivated

Center Contact: Beryllium Copper Plated Gold

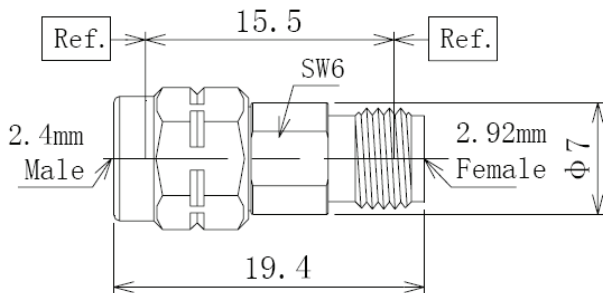
Insulators: PEI



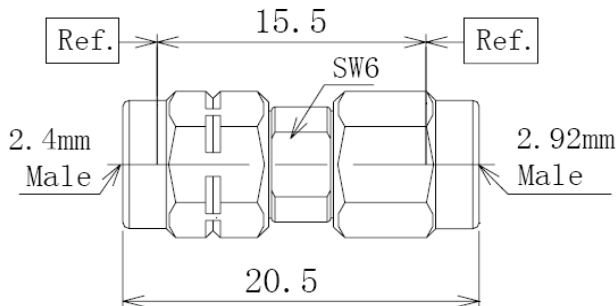
P/N	HPA151-01
Description	2.92mm/Female-2.4mm/Female
VSWR	DC-40GHz...1.20:1 max



P/N	HPA151-02
Description	2.92mm/Male-2.4mm/Female
VSWR	DC-40GHz...1.20:1 max



P/N	HPA151-03
Description	2.92mm/Female-2.4mm/Male
VSWR	DC-40GHz...1.20:1 max



P/N	HPA151-04
Description	2.92mm/Male-2.4mm/Male
VSWR	DC-40GHz...1.20:1 max

2.92mm-SMA Between Series Adapters

Performance Features

Nominal Impedance: 50ohm

Frequency Range: DC-27GHz

Durability: 500cycles

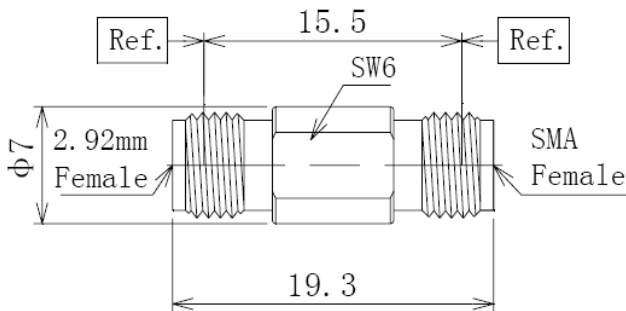
Operating Temperature: -50°C ~ +125°C

Materials/Finishes

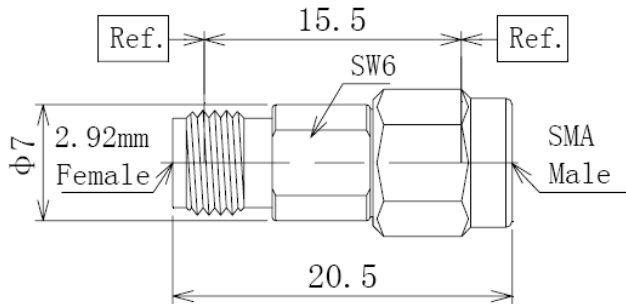
Housing: Type 303 Stainless Steel – Passivated

Center Contact: Beryllium Copper Plated Gold

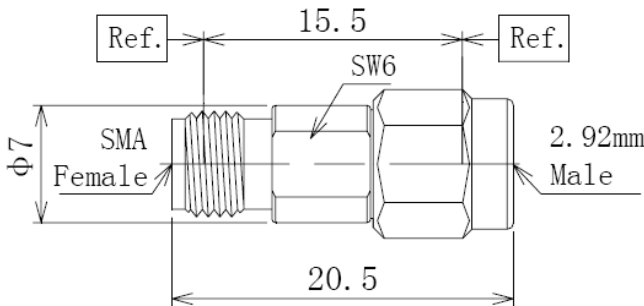
Insulators: PEI & PTFE



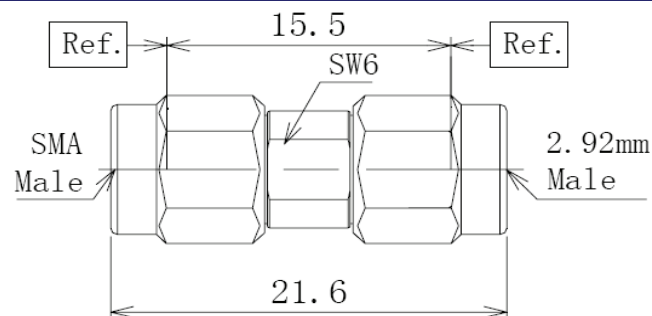
P/N	HPA152-01
Description	2.92mm/Female-SMA/Female
VSWR	DC-27GHz...1.15:1 max



P/N	HPA152-02
Description	2.92mm/Male-SMA/Female
VSWR	DC-27GHz...1.15:1 max



P/N	HPA152-03
Description	2.92mm/Female-SMA/Male
VSWR	DC-27GHz...1.15:1 max



P/N	HPA152-04
Description	2.92mm/Male-SMA/Male
VSWR	DC-27GHz...1.15:1 max

2.4mm-SMA Between Series Adapters

Performance Features

Nominal Impedance: 50ohm

Frequency Range: DC-27GHz

Durability: 500cycles

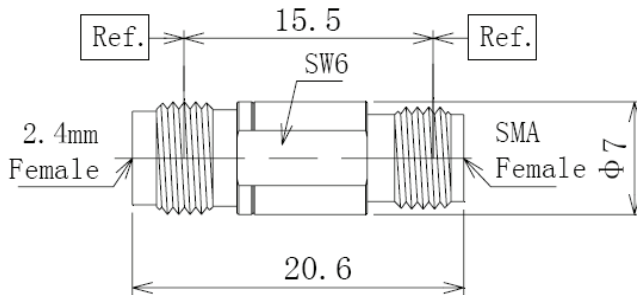
Operating Temperature: -50°C ~ +125°C

Materials/Finishes

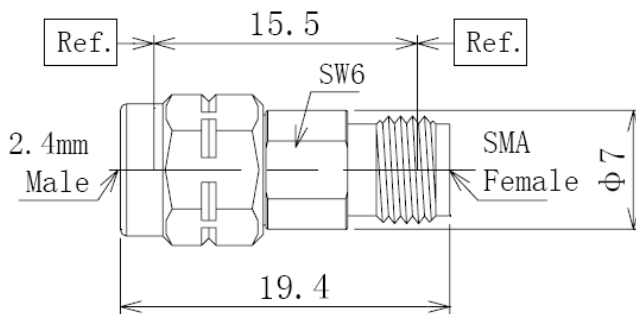
Housing: Type 303 Stainless Steel – Polished & Passivated

Center Contact: Beryllium Copper Plated Gold

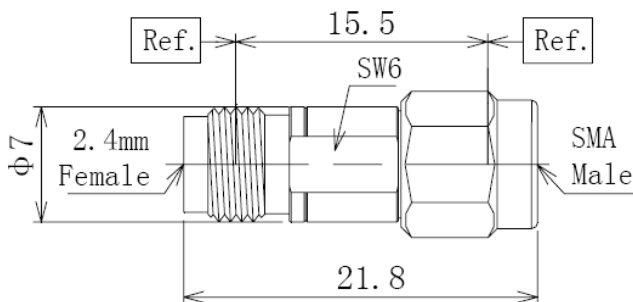
Insulators: PEI & PTFE



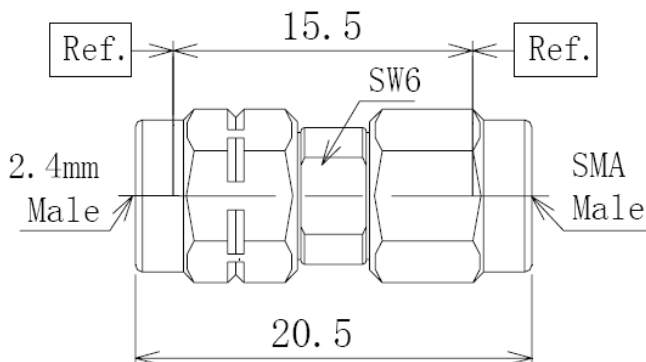
P/N	HPA161-01
Description	2.4mm/Female-SMA/Female
VSWR	DC-27GHz...1.15:1 max



P/N	HPA161-02
Description	2.4mm/Male-SMA/Female
VSWR	DC-27GHz...1.15:1 max



P/N	HPA161-03
Description	2.4mm/Female-SMA/Male
VSWR	DC-27GHz...1.15:1 max



P/N	HPA161-04
Description	2.4mm/Male-SMA/Male
VSWR	DC-27GHz...1.15:1 max

TNC-SMA Between Series Adapters

Performance Features

Nominal Impedance: 50ohm

Frequency Range: DC-18GHz

Durability: 500cycles

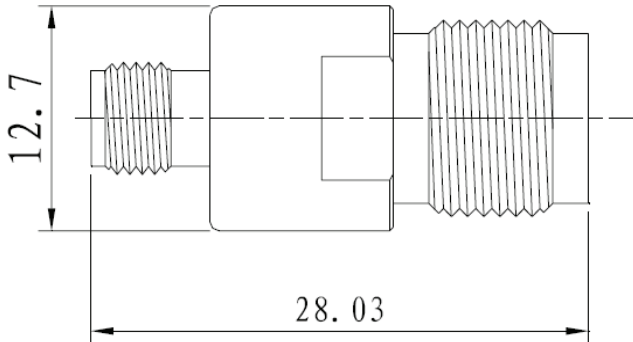
Operating Temperature: -50°C ~ +125°C

Materials/Finishes

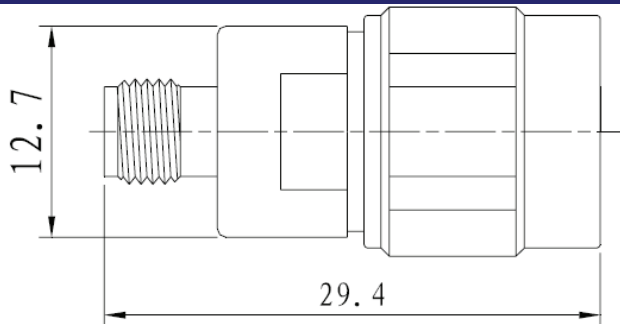
Housing: Type 303 Stainless Steel – Polished & Passivated

Center Contact: Beryllium Copper Plated Gold

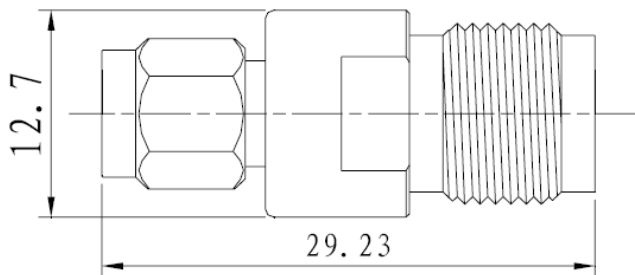
Insulators: PEI & PTFE



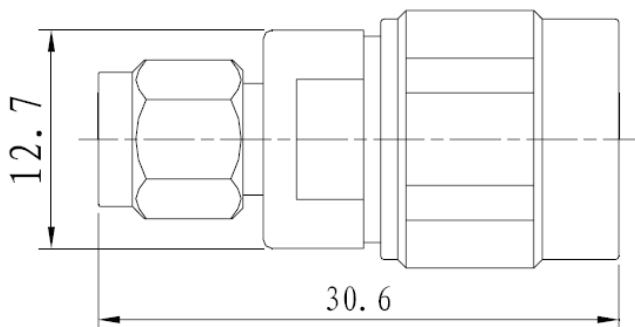
P/N	HPA171-01
Description	TNC/Female-SMA/Female
VSWR	DC-18GHz...1.15:1 max



P/N	HPA171-02
Description	TNC/Male-SMA/Female
VSWR	DC-18GHz...1.15:1 max



P/N	HPA171-03
Description	TNC/Female-SMA/Male
VSWR	DC-18GHz...1.15:1 max



P/N	HPA171-04
Description	TNC/Male-SMA/Male
VSWR	DC-18GHz...1.15:1 max

7mm Series Adapters

Performance Features

Nominal Impedance: 50ohm

Durability: 500cycles

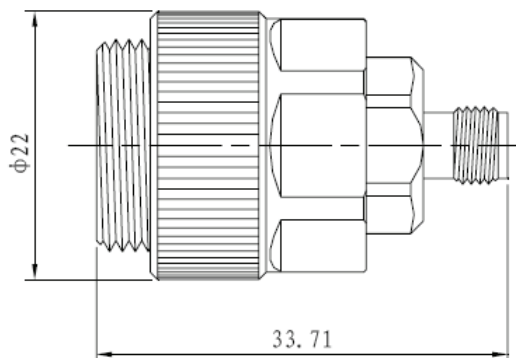
Operating Temperature: -60°C ~ +165°C

Materials/Finishes

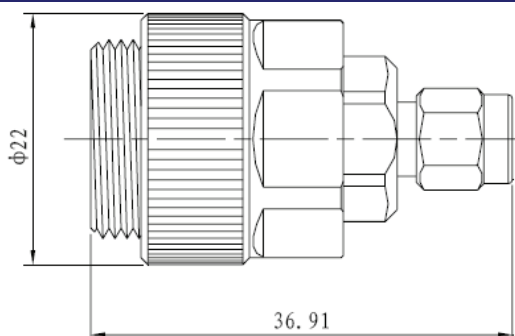
Housing: Type 303 Stainless Steel – Polished & Passivated

Center Contact: Beryllium Copper Plated Gold

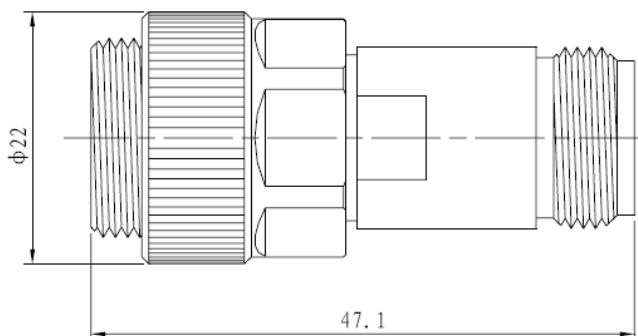
Insulators: PEI



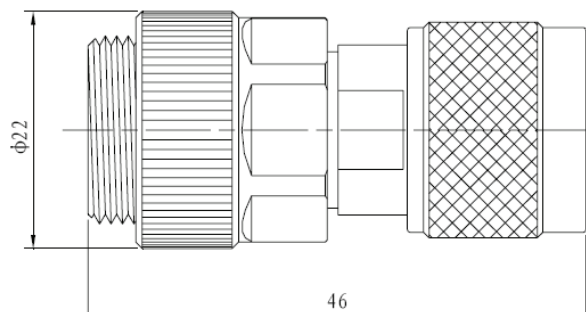
P/N	HPA181-01
Description	7mm-3.5mm/Female
VSWR	DC-18GHz...1.15:1 max



P/N	HPA181-02
Description	7mm-3.5mm/Male
VSWR	DC-18GHz...1.15:1 max



P/N	HPA181-03
Description	7mm-N/Female
VSWR	DC-18GHz...1.15:1 max



P/N	HPA181-04
Description	7mm-N/Male
VSWR	DC-18GHz...1.15:1 max

Quick Replacement Adapters

Performance Features

Nominal Impedance: 50ohm

Durability: 500cycles

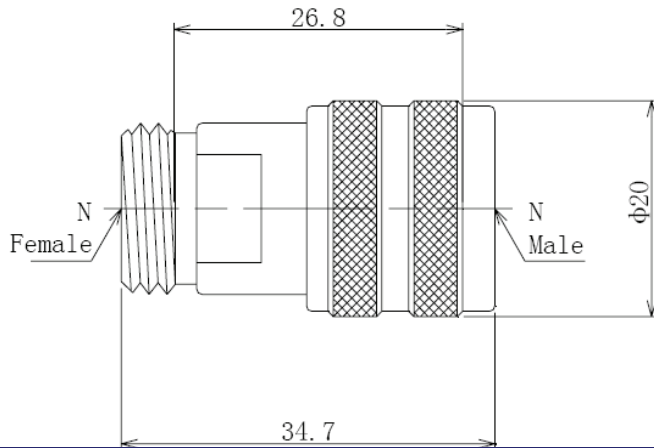
Operating Temperature: -50°C ~ +125°C

Materials/Finishes

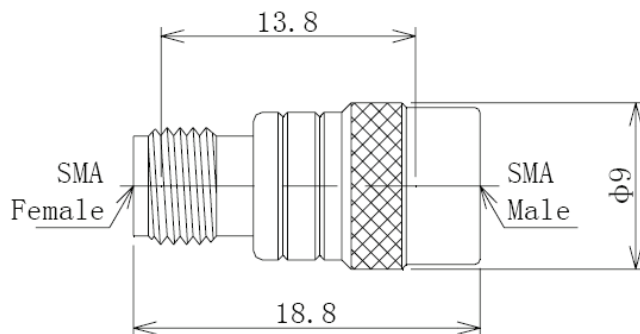
Housing: Type 303 Stainless Steel-Polished & Passivated

Center Contact: Beryllium Copper Plated Gold

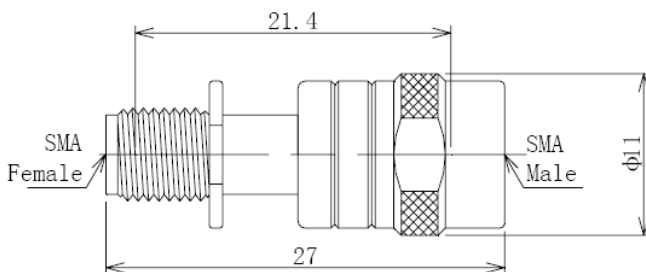
Insulators: PEI & PTFE



P/N	HPA191-01
Description	N/Male-N/Female
VSWR	DC-18GHz...1.15:1 max



P/N	HPA191-02
Description	SMA/Male-SMA/Female
VSWR	DC-27GHz...1.20:1 max



P/N	HPA191-03
Description	SMA/Male-SMA/Female
VSWR	DC-27GHz...1.25:1 max

Adapter Kits

3.5mm Adapter Kits P/N S35			
P/N	Description	Page	Quantity
HPA113-01	3.5mm/Female-3.5mm/Female	40	2
HPA113-02	3.5mm/Male-3.5mm/Female	40	2
HPA113-03	3.5mm/Male-3.5mm/Male	40	2
HPA131-01	3.5mm/Female-2.92mm/Female	49	2
HPA131-02	3.5mm/Male-2.92mm/Female	49	2
HPA131-03	3.5mm/Female-2.92mm/Male	49	2
HPA131-04	3.5mm/Male-2.92mm/Male	49	2
HPA121-01	3.5mm/Female-N/Female	43	2
HPA121-02	3.5mm/Male-N/Female	43	2
HPA121-03	3.5mm/Female-N/Male	43	2
HPA121-04	3.5mm/Male-N/Male	43	2
-	Torque Wrench	-	2

2.92mm Adapter Kits P/N S36			
P/N	Description	Page	Quantity
HPA114-01	2.92mm/Female-2.92/Female	41	2
HPA114-02	2.92mm/Male-2.92mm/Female	41	2
HPA114-03	2.92mm/Male-2.92mm/Male	41	2
HPA131-01	2.92mm/Female-3.5mm/Female	49	2
HPA131-02	2.92mm/Male-3.5mm/Female	49	2
HPA131-03	2.92mm/Female-3.5mm/Male	49	2
HPA131-04	2.92mm/Male-3.5mm/Male	49	2
HPA151-01	2.92mm/Female-2.4mm/Female	52	2
HPA151-02	2.92mm/Male-2.4mm/Female	52	2
HPA151-03	2.92mm/Female-2.4mm/Male	52	2
HPA151-04	2.92mm/Male-2.4mm/Male	52	2
HPA152-01	2.92mm/Female-SMA/Female	53	2
HPA152-02	2.92mm/Male-SMA/Female	53	2
HPA152-03	2.92mm/Female-SMA/Male	53	2
HPA152-04	2.92mm/Male-SMA/Male	53	2
HPA122-01	2.92mm/Female-N/Female	44	2
HPA122-02	2.92mm/Male-N/Female	44	2
HPA122-03	2.92mm/Female-N/Male	44	2
HPA122-04	2.92mm/Male-N/Male	44	2
-	Torque Wrench	-	2

2.4mm Adapter Kits			
P/N S37			
P/N	Description	Page	Quantity
HPA115-01	2.4mm/Female-2.4mm/Female	42	2
HPA115-02	2.4mm/Male-2.4mm/Female	42	2
HPA115-03	2.4mm/Male-2.4mm/Male	42	2
HPA132-01	2.4mm/Female-3.5mm/Female	51	2
HPA132-02	2.4mm/Male-3.5mm/Female	51	2
HPA132-03	2.4mm/Female-3.5mm/Male	51	2
HPA132-04	2.4mm/Male-3.5mm/Male	51	2
HPA151-01	2.4mm/Female-2.92mm/Female	52	2
HPA151-02	2.4mm/Male-2.92mm/Female	52	2
HPA151-03	2.4mm/Female-2.92mm/Male	52	2
HPA151-04	2.4mm/Male-2.92mm/Male	52	2
HPA161-01	2.4mm/Female-SMA/Female	54	2
HPA161-02	2.4mm/Male-SMA/Female	54	2
HPA161-03	2.4mm/Female-SMA/Male	54	2
HPA161-04	2.4mm/Male-SMA/Male	54	2
HPA123-01	2.4mm/Female-N/Female	45	2
HPA123-02	2.4mm/Male-N/Female	45	2
HPA123-03	2.4mm/Female-N/Male	45	2
HPA123-04	2.4mm/Male-N/Male	45	2
-	Torque Wrench	-	2

Coaxial Termination

Standard Termination Series

P/N	HPT501
Description	N Type (Male)
Frequency Range	DC-12GHz
VSWR	1.15:1 (max)
Power Handling	2W (33dBm)

P/N	HPT502
Description	N Type (Female)
Frequency Range	DC-12GHz
VSWR	1.15:1 (max)
Power Handling	2W (33dBm)

P/N	HPT101
Description	SMA (Male)
Frequency Range	DC-18GHz
VSWR	1.15:1 (max)
Power Handling	2W (33dBm)

P/N	HPT102
Description	SMA(Female)
Frequency Range	DC-18GHz
VSWR	1.15:1 (max)
Power Handling	2W (33dBm)

Precision Termination Series

P/N	HPP561
Description	N Type(Male)
Frequency Range	DC-18GHz
VSWR	1.15:1 (Max)
Power Handling	2W(33dBm)

P/N	HPP562
Description	N Type(Female)
Frequency Range	DC-18GHz
VSWR	1.15:1 (Max)
Power Handling	2W(33dBm)

P/N	HPP161
Description	SMA(Male)
Frequency Range	DC-27GHz
VSWR	1.15:1 (Max)
Power Handling	2W(33dBm)

P/N	HPP162
Description	SMA(Female)
Frequency Range	DC-27GHz
VSWR	1.15:1 (Max)
Power Handling	2W(33dBm)

P/N	HPP761
Description	3.5mm(Male)
Frequency Range	DC-33GHz
VSWR	1.15:1 (Max)
Power Handling	2W(33dBm)

P/N	HPP762
Description	3.5mm(Female)
Frequency Range	DC-33GHz
VSWR	1.15:1 (Max)
Power Handling	2W(33dBm)

P/N	HPP361
Description	2.92mm(Male)
Frequency Range	DC-40GHz
VSWR	1.15:1 (Max)
Power Handling	2W(33dBm)

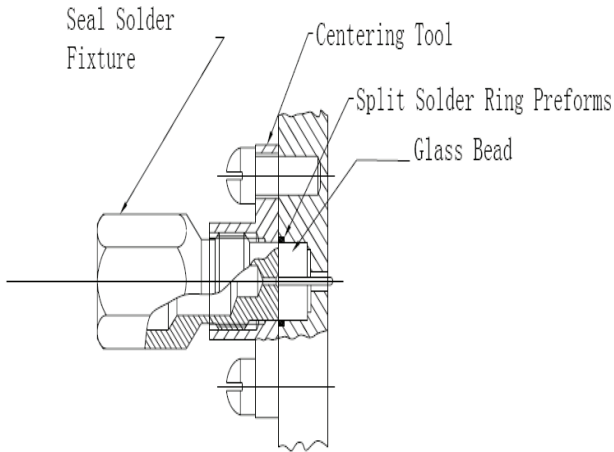
P/N	HPP362
Description	2.92mm(Female)
Frequency Range	DC-40GHz
VSWR	1.15:1 (Max)
Power Handling	2W(33dBm)

P/N	HPP461
Description	2.4mm(Male)
Frequency Range	DC-50GHz
VSWR	1.15:1 (Max)
Power Handling	2W(33dBm)

P/N	HPP462
Description	2.4mm(Female)
Frequency Range	DC-50GHz
VSWR	1.15:1 (Max)
Power Handling	2W(33dBm)

Tools

Glass Bead Installation Tools---Flange Connector



Seal Solder Fixture



Centering Tool

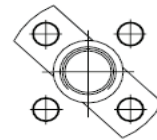
Seal Solder Fixture

P/N	HPL122
Hole Distance	12.2mm

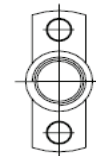
P/N	HPL102
Hole Distance	10.2mm

P/N	HPL090
Hole Distance	0.9mm

P/N	HPL086
Hole Distance	0.86mm



(1)



(2)

Centering Tool

P/N	HPL212
For Pin Dia	0.012inch (0.30mm)

P/N	HPL215
For Pin Dia	0.015inch (0.38mm)

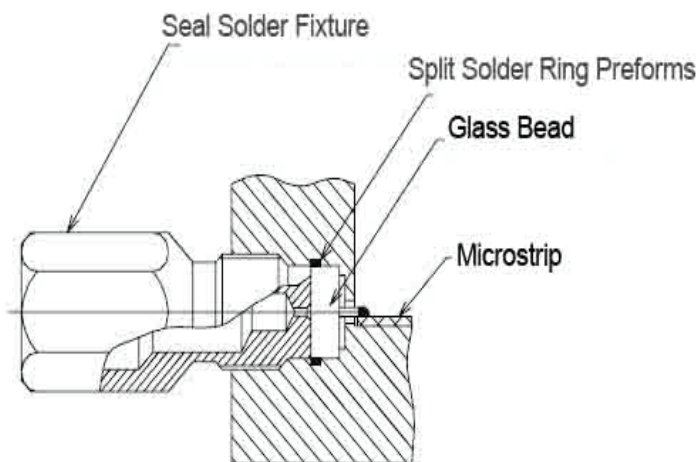
P/N	HPL218
For Pin Dia	0.018inch (0.46mm)

P/N	HPL220
For Pin Dia	0.020inch (0.51mm)

P/N	HPL228
For Pin Dia	0.028inch (0.72mm)

P/N	HPL236
For Pin Dia	0.036inch (0.91mm)

Glass Bead Installation Tools --- Thread – In Connector



Centering Tool

P/N	HPL312
For Pin Dia	0.012inch/0.30mm

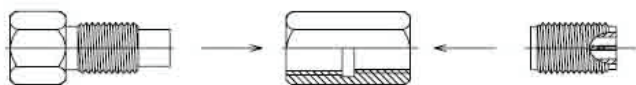
P/N	HPL315
For Pin Dia	0.015inch/0.38mm

P/N	HPL318
For Pin Dia	0.018inch/0.46mm

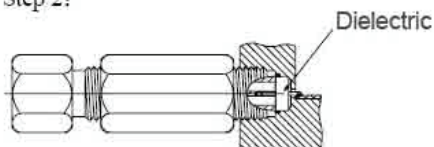
P/N	HPL320
For Pin Dia	0.020inch/0.51mm

Thread-In Connector Installation Tools

Step 1:



Step 2:



P/N	HPL400
Description	Installation Tools

Torque Wrench

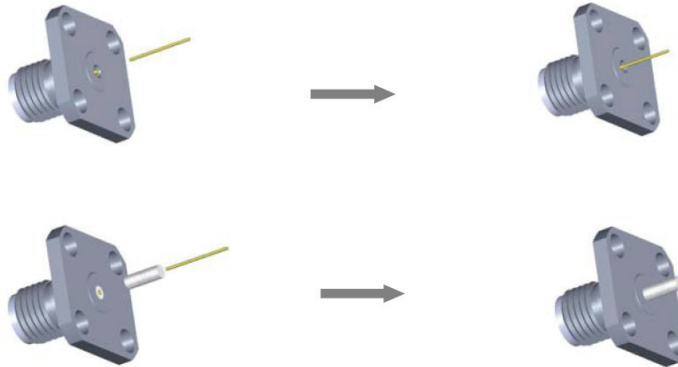
P/N	HPL555
Be fit for	SMA\2.92mm\3.5mm\2.4mm

P/N	HPL534
Be fit for	N Type

P/N	HPL554
Be fit for	TNC Type

Parts

Application Outline



Dia.	P/N	L	P/N	L
0.30mm	HPN1012	6.5mm	HPN1112	7.5mm
0.38mm	HPN1015	6.5mm	HPN1115	7.5mm
0.46mm	HPN1018	6.5mm	HPN1118	7.5mm
0.51mm	HPN1020	6.5mm	HPN1120	7.5mm
0.91mm	HPN1036	7.7mm	HPN1136	8.7mm



Dia.	P/N	L	P/N	L
0.46mm	HPN2018	6.5mm	HPN2118	7.5mm
0.51mm	HPN2020	6.5mm	HPN2120	7.5mm
0.91mm	HPN2036	7.7mm	HPN2136	8.7mm



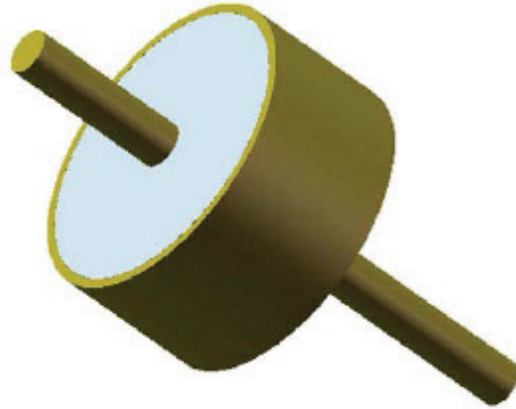
Dia.	P/N
0.46mm	HPN3018
0.51mm	HPN3020
0.91mm	HPN3036









To fit Pin Dia.	P/N	L	P/N	L
0.30mm	HPN4012	3	HPN4112	4
0.38mm	HPN4015	3	HPN4115	4
0.46mm	HPN4018	3	HPN4118	4
0.51mm	HPN4020	3	HPN4120	4
0.91mm	HPN4036	3	HPN4136	4

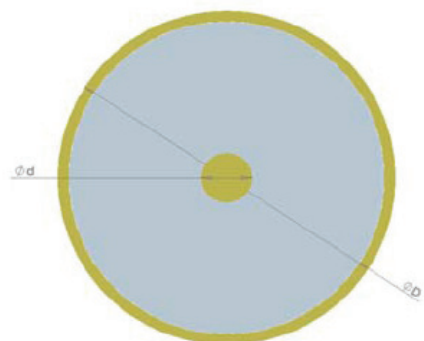
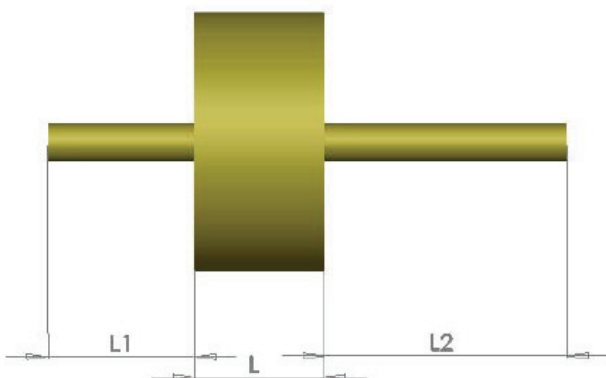


Glass Beads



PIN Type

	Radius(RD)		Straight Cut(ST)
	Nail Head(NH)		Flattened(FL)
	Angled(AN)		Cone(CN)



P/N	Type	D	L	d	Pin Type1	L1	Pin Type2	L2
HPG-1386	Straight	0.068	0.055	0.009	RD	0.026	ST	0.075
HPG-1557	Straight	0.068	0.055	0.009	RD	0.026	ST	0.029
HPG-1672	Straight	0.068	0.14	0.009	RD	0.024	ST	0.035
HPG-903	Straight	0.068	0.14	0.009	RD	0.026	ST	0.031
HPG-959	Straight	0.068	0.14	0.009	RD	0.07	ST	0.25
HPG-1028	Straight	0.068	0.14	0.009	ST	0.135	ST	0.13
HPG-1518	Straight	0.068	0.055	0.009	ST	0.078	ST	0.078
HPG-1662	Straight	0.068	0.055	0.009	ST	0.078	ST	0.15
HPG-1668	Straight	0.068	0.055	0.009	ST	0.031	ST	0.037
HPG-1702	Straight	0.068	0.055	0.009	ST	0.038	ST	0.038
HPG-823	Straight	0.068	0.055	0.009	ST	0.05	ST	0.05
HPG-884	Straight	0.068	0.055	0.009	ST	0.014	ST	0.046
HPG-885	Straight	0.068	0.055	0.009	ST	0.014	ST	0.079
HPG-807	Straight	0.076	0.055	0.012	AN	0.022	ST	0.09
HPG-875	Straight	0.076	0.055	0.012	AN	0.042	ST	0.05
HPG-1462	Straight	0.076	0.062	0.012	FL	0.06	ST	0.35
HPG-1778	Straight	0.076	0.055	0.012	FL	0.08	RD	0.06
HPG-497	Flange	0.119	0.072	0.012	RD	0.04	ST	0.239
HPG-940	Flange	0.119	0.072	0.012	RD	0.041	ST	0.032
HPG-050	Straight	0.076	0.069	0.012	RD	0.072	RD	0.18
HPG-106	Straight	0.098	0.062	0.012	RD	0.072	RD	0.18
HPG-1065	Straight	0.076	0.055	0.012	RD	0.029	RD	0.041
HPG-1084	Straight	0.076	0.062	0.012	RD	0.06	ST	0.081
HPG-1101	Straight	0.076	0.062	0.012	RD	0.07	ST	0.16
HPG-1101-01	Straight	0.076	0.062	0.012	RD	0.07	ST	0.21
HPG-1101-02	Straight	0.076	0.062	0.012	RD	0.05	ST	0.033
HPG-1134	Straight	0.076	0.16	0.012	RD	0.05	ST	0.5
HPG-1151	Straight	0.076	0.12	0.012	RD	0.055	ST	0.038
HPG-1169	Straight	0.098	0.062	0.012	RD	0.072	ST	0.225
HPG-1195	Straight	0.076	0.055	0.012	RD	0.035	RD	0.33
HPG-1205-01	Straight	0.076	0.055	0.012	RD	0.04	ST	0.04
HPG-1205-07	Straight	0.076	0.055	0.012	RD	0.03	ST	0.11
HPG-1205-08	Straight	0.076	0.055	0.012	RD	0.07	ST	0.16
HPG-1225	Straight	0.076	0.055	0.012	RD	0.065	ST	0.07
HPG-1236	Straight	0.076	0.055	0.012	RD	0.017	RD	0.041
HPG-1287	Straight	0.076	0.062	0.012	RD	0.1	ST	0.25
HPG-1305	Straight	0.076	0.055	0.012	RD	0.029	ST	0.115
HPG-1363-01	Straight	0.076	0.055	0.012	RD	0.09	ST	0.03
HPG-1363-02	Straight	0.076	0.055	0.012	RD	0.04	ST	0.16
HPG-1363-03	Straight	0.076	0.055	0.012	RD	0.04	ST	0.19
HPG-1363-04	Straight	0.076	0.055	0.012	RD	0.075	ST	0.11
HPG-1363-06	Straight	0.076	0.055	0.012	RD	0.123	ST	0.083
HPG-1363-07	Straight	0.076	0.055	0.012	RD	0.04	ST	0.08
HPG-1363-08	Straight	0.076	0.055	0.012	RD	0.04	ST	0.027
HPG-1365-03	Straight	0.076	0.069	0.012	RD	0.065	ST	0.03
HPG-1365-04	Straight	0.076	0.069	0.012	RD	0.233	ST	0.06
HPG-1371	Straight	0.076	0.055	0.012	RD	0.075	ST	0.075
HPG-1378	Straight	0.076	0.055	0.012	RD	0.05	ST	0.11
HPG-1384	Straight	0.098	0.062	0.012	RD	0.072	ST	0.07
HPG-1385	Straight	0.076	0.055	0.012	RD	0.029	RD	0.16
HPG-1396	Straight	0.076	0.094	0.012	RD	0.041	ST	0.049
HPG-1406	Straight	0.076	0.14	0.012	RD	0.075	ST	0.033

P/N	Type	D	L	d	Pin Type1	L1	Pin Type2	L2
HPG-1409	Straight	0.076	0.055	0.012	RD	0.041	ST	0.049
HPG-1410-01	Straight	0.076	0.055	0.012	RD	0.052	RD	0.089
HPG-1410-02	Straight	0.076	0.055	0.012	RD	0.052	RD	0.083
HPG-1410-03	Straight	0.076	0.055	0.012	RD	0.06	RD	0.06
HPG-1410-04	Straight	0.076	0.055	0.012	RD	0.047	RD	0.125
HPG-1410-05	Straight	0.076	0.055	0.012	RD	0.038	RD	0.042
HPG-1410-06	Straight	0.076	0.055	0.012	RD	0.04	RD	0.04
HPG-1410-07	Straight	0.076	0.055	0.012	RD	0.04	RD	0.08
HPG-1410-08	Straight	0.076	0.055	0.012	RD	0.029	RD	0.059
HPG-1410-09	Straight	0.076	0.055	0.012	RD	0.025	RD	0.075
HPG-1413-03	Straight	0.076	0.055	0.012	RD	0.05	ST	0.17
HPG-1413-04	Straight	0.076	0.055	0.012	RD	0.285	ST	0.015
HPG-1473-01	Straight	0.076	0.055	0.012	RD	0.03	ST	0.04
HPG-1473-02	Straight	0.076	0.055	0.012	RD	0.03	ST	0.275
HPG-1473-03	Straight	0.076	0.055	0.012	RD	0.041	ST	0.079
HPG-1473-04	Straight	0.076	0.055	0.012	RD	0.12	ST	0.027
HPG-1473-05	Straight	0.076	0.055	0.012	RD	0.07	ST	0.07
HPG-1473-06	Straight	0.076	0.055	0.012	RD	0.16	ST	0.086
HPG-1473-07	Straight	0.076	0.055	0.012	RD	0.066	ST	0.082
HPG-1473-08	Straight	0.076	0.055	0.012	RD	0.14	ST	0.04
HPG-1473-09	Straight	0.076	0.055	0.012	RD	0.07	ST	0.083
HPG-1491	Straight	0.076	0.055	0.012	RD	0.06	ST	0.055
HPG-150	Straight	0.076	0.055	0.012	RD	0.041	RD	0.079
HPG-1502	Straight	0.076	0.055	0.012	RD	0.06	RD	0.055
HPG-1503	Straight	0.076	0.055	0.012	RD	0.041	ST	0.06
HPG-1510	Straight	0.076	0.12	0.012	RD	0.07	ST	0.047
HPG-1558	Straight	0.076	0.075	0.012	RD	0.04	ST	0.17
HPG-1586	Straight	0.076	0.055	0.012	RD	0.072	ST	0.186
HPG-1600	Straight	0.076	0.069	0.012	RD	0.03	RD	0.075
HPG-1614	Straight	0.076	0.055	0.012	RD	0.038	RD	0.085
HPG-1631	Straight	0.076	0.055	0.012	RD	0.04	ST	0.125
HPG-1637	Straight	0.076	0.168	0.012	RD	0.068	ST	0.03
HPG-1660	Straight	0.076	0.055	0.012	RD	0.05	RD	0.06
HPG-1664	Straight	0.076	0.176	0.012	RD	0.07	ST	0.03
HPG-1676	Straight	0.076	0.12	0.012	RD	0.05	ST	0.056
HPG-1682	Straight	0.098	0.062	0.012	RD	0.1	ST	0.23
HPG-1717	Straight	0.076	0.055	0.012	RD	0.038	RD	0.08
HPG-1740	Straight	0.076	0.069	0.012	RD	0.05	ST	0.15
HPG-1773	Straight	0.098	0.062	0.012	RD	0.072	ST	0.18
HPG-1803	Straight	0.076	0.168	0.012	RD	0.07	ST	0.18
HPG-1834	Straight	0.076	0.075	0.012	RD	0.041	ST	0.18
HPG-1882	Straight	0.076	0.075	0.012	RD	0.047	ST	0.061
HPG-1889	Straight	0.076	0.069	0.012	RD	0.06	RD	0.06
HPG-228	Straight	0.076	0.062	0.012	RD	0.072	RD	0.18
HPG-229	Straight	0.098	0.125	0.012	RD	0.072	ST	0.18
HPG-230	Straight	0.098	0.145	0.012	RD	0.072	ST	0.18
HPG-233	Straight	0.098	0.062	0.012	RD	0.07	RD	0.11
HPG-247	Straight	0.076	0.069	0.012	RD	0.055	RD	0.18
HPG-296	Straight	0.076	0.062	0.012	RD	0.065	ST	0.128
HPG-322-01	Straight	0.076	0.055	0.012	RD	0.041	ST	0.2
HPG-322-02	Straight	0.076	0.055	0.012	RD	0.041	ST	0.6

P/N	Type	D	L	d	Pin Type1	L1	Pin Type2	L2
HPG-322-03	Straight	0.076	0.055	0.012	RD	0.041	ST	0.012
HPG-322-04	Straight	0.076	0.055	0.012	RD	0.041	ST	0.4
HPG-327	Straight	0.076	0.075	0.012	RD	0.05	ST	0.07
HPG-345-01	Straight	0.076	0.055	0.012	RD	0.041	ST	0.19
HPG-345-02	Straight	0.076	0.055	0.012	RD	0.041	ST	0.24
HPG-434	Straight	0.076	0.16	0.012	RD	0.065	ST	0.085
HPG-452	Straight	0.076	0.055	0.012	RD	0.105	ST	0.135
HPG-476	Straight	0.076	0.055	0.012	RD	0.079	ST	0.041
HPG-482	Straight	0.076	0.069	0.012	RD	0.086	RD	0.086
HPG-487-01	Straight	0.076	0.055	0.012	RD	0.05	RD	0.096
HPG-487-02	Straight	0.076	0.055	0.012	RD	0.05	RD	0.085
HPG-487-03	Straight	0.076	0.055	0.012	RD	0.05	RD	0.07
HPG-487-04	Straight	0.076	0.055	0.012	RD	0.05	RD	0.05
HPG-490	Straight	0.076	0.055	0.012	RD	0.041	ST	0.049
HPG-522	Straight	0.076	0.055	0.012	RD	0.04	ST	0.08
HPG-533	Straight	0.076	0.069	0.012	RD	0.068	ST	0.125
HPG-582-01	Straight	0.076	0.062	0.012	RD	0.1	ST	0.105
HPG-582-02	Straight	0.076	0.062	0.012	RD	0.1	ST	0.094
HPG-582-03	Straight	0.076	0.062	0.012	RD	0.1	ST	0.25
HPG-582-04	Straight	0.076	0.062	0.012	RD	0.068	ST	0.059
HPG-609	Straight	0.098	0.062	0.012	RD	0.055	RD	0.072
HPG-618	Straight	0.076	0.055	0.012	RD	0.041	ST	0.15
HPG-654	Straight	0.076	0.055	0.012	RD	0.034	RD	0.041
HPG-662	Straight	0.076	0.062	0.012	RD	0.05	ST	0.105
HPG-671	Straight	0.076	0.069	0.012	RD	0.035	ST	0.06
HPG-675	Straight	0.076	0.069	0.012	RD	0.067	RD	0.123
HPG-678	Straight	0.076	0.055	0.012	RD	0.041	ST	0.037
HPG-687	Straight	0.076	0.075	0.012	RD	0.1	ST	0.076
HPG-703	Straight	0.076	0.069	0.012	RD	0.04	ST	0.15
HPG-802	Straight	0.098	0.062	0.012	RD	0.072	RD	0.072
HPG-835	Straight	0.098	0.062	0.012	RD	0.076	ST	0.148
HPG-888	Straight	0.076	0.055	0.012	RD	0.04	ST	0.18
HPG-910	Straight	0.098	0.062	0.012	RD	0.05	RD	0.072
HPG-946	Straight	0.076	0.062	0.012	RD	0.07	ST	0.156
HPG-951	Straight	0.076	0.055	0.012	RD	0.04	ST	0.236
HPG-953	Straight	0.076	0.055	0.012	RD	0.072	ST	0.18
HPG-955	Straight	0.076	0.055	0.012	RD	0.214	ST	0.1
HPG-048	Straight	0.076	0.04	0.012	ST	0.025	ST	0.16
HPG-055	Straight	0.098	0.062	0.012	ST	0.125	ST	0.25
HPG-062-01	Straight	0.076	0.055	0.012	ST	0.03	ST	0.128
HPG-062-02	Straight	0.076	0.055	0.012	ST	0.017	ST	0.14
HPG-062-03	Straight	0.076	0.055	0.012	ST	0.017	ST	0.22
HPG-062-04	Straight	0.076	0.055	0.012	ST	0.03	ST	0.14
HPG-1044	Straight	0.076	0.12	0.012	ST	0.04	ST	0.04
HPG-1056	Straight	0.076	0.055	0.012	ST	0.029	ST	0.041
HPG-1058	Straight	0.076	0.069	0.012	ST	0.055	ST	0.18
HPG-1069	Straight	0.098	0.09	0.012	ST	0.072	ST	0.18
HPG-1086	Straight	0.076	0.055	0.012	ST	0.03	ST	0.216
HPG-1091	Straight	0.076	0.069	0.012	ST	0.014	ST	0.085
HPG-1105	Straight	0.076	0.16	0.012	ST	0.05	ST	0.5
HPG-111-01	Straight	0.076	0.069	0.012	ST	0.012	ST	0.15

P/N	Type	D	L	d	Pin Type1	L1	Pin Type2	L2
HPG-111-02	Straight	0.076	0.055	0.012	ST	0.012	ST	0.15
HPG-111-03	Straight	0.076	0.055	0.012	ST	0.025	ST	0.15
HPG-111-04	Straight	0.076	0.069	0.012	ST	0.025	ST	0.15
HPG-111-05	Straight	0.076	0.16	0.012	ST	0.025	ST	0.15
HPG-111-07	Straight	0.076	0.055	0.012	ST	0.012	ST	0.037
HPG-1111	Straight	0.076	0.062	0.012	ST	0.08	ST	0.2
HPG-1128	Straight	0.076	0.055	0.012	ST	0.051	ST	0.084
HPG-1143	Straight	0.076	0.04	0.012	ST	0.095	ST	0.095
HPG-1152	Straight	0.098	0.062	0.012	ST	0.065	ST	0.21
HPG-1161-06	Straight	0.098	0.075	0.012	ST	0.11	ST	0.11
HPG-1161-05	Straight	0.098	0.075	0.012	ST	0.105	ST	0.105
HPG-1161-04	Straight	0.098	0.075	0.012	ST	0.1	ST	0.1
HPG-1161-03	Straight	0.098	0.075	0.012	ST	0.12	ST	0.12
HPG-1161-02	Straight	0.098	0.075	0.012	ST	0.115	ST	0.115
HPG-1161-01	Straight	0.098	0.075	0.012	ST	0.125	ST	0.125
HPG-1171	Straight	0.076	0.055	0.012	ST	0.032	ST	0.31
HPG-1176	Straight	0.076	0.062	0.012	ST	0.05	ST	0.05
HPG-1182	Straight	0.098	0.075	0.012	ST	0.09	ST	0.2
HPG-1205-02	Straight	0.076	0.055	0.012	ST	0.075	ST	0.065
HPG-1205-03	Straight	0.076	0.055	0.012	ST	0.045	ST	0.095
HPG-1205-04	Straight	0.076	0.055	0.012	ST	0.04	ST	0.095
HPG-1205-05	Straight	0.076	0.055	0.012	ST	0.04	ST	0.265
HPG-1205-09	Straight	0.076	0.055	0.012	ST	0.02	ST	0.09
HPG-1233	Straight	0.076	0.055	0.012	ST	0.015	ST	0.09
HPG-1249	Straight	0.076	0.055	0.012	ST	0.028	ST	0.215
HPG-1300	Straight	0.076	0.04	0.012	ST	0.02	ST	0.025
HPG-1327	Straight	0.076	0.055	0.012	ST	0.1	ST	0.5
HPG-1327	Straight	0.076	0.055	0.012	ST	0.1	ST	0.5
HPG-1332	Straight	0.076	0.36	0.012	ST	0.022	ST	0.022
HPG-1335	Straight	0.076	0.055	0.012	ST	0.045	ST	0.055
HPG-1360-01	Straight	0.076	0.075	0.012	ST	0.1	ST	0.08
HPG-1360-02	Straight	0.076	0.075	0.012	ST	0.095	ST	0.085
HPG-1360-03	Straight	0.076	0.075	0.012	ST	0.06	ST	0.08
HPG-1360-04	Straight	0.076	0.075	0.012	ST	0.06	ST	0.075
HPG-1373-02	Straight	0.076	0.055	0.012	ST	0.04	ST	0.091
HPG-1373-03	Straight	0.076	0.055	0.012	ST	0.085	ST	0.092
HPG-1373-04	Straight	0.076	0.055	0.012	ST	0.04	ST	0.2
HPG-1373-05	Straight	0.076	0.055	0.012	ST	0.03	ST	0.04
HPG-1373-06	Straight	0.076	0.055	0.012	ST	0.03	ST	0.275
HPG-1373-07	Straight	0.076	0.055	0.012	ST	0.071	ST	0.076
HPG-1373-08	Straight	0.076	0.055	0.012	ST	0.04	ST	0.11
HPG-1373-09	Straight	0.076	0.055	0.012	ST	0.062	ST	0.19
HPG-1373-10	Straight	0.076	0.055	0.012	ST	0.062	ST	0.087
HPG-1373-11	Straight	0.076	0.055	0.012	ST	0.041	ST	0.122
HPG-1373-14	Straight	0.076	0.055	0.012	ST	0.04	ST	0.16

P/N	Type	D	L	d	Pin Type1	L1	Pin Type2	L2
HPG-1373-15	Straight	0.076	0.055	0.012	ST	0.008	ST	0.15
HPG-1373-16	Straight	0.076	0.055	0.012	ST	0.12	ST	0.5
HPG-1373-17	Straight	0.076	0.055	0.012	ST	0.045	ST	0.045
HPG-1373-18	Straight	0.076	0.055	0.012	ST	0.105	ST	0.11
HPG-1373-19	Straight	0.076	0.055	0.012	ST	0.041	ST	0.143
HPG-1373-20	Straight	0.076	0.055	0.012	ST	0.112	ST	0.3
HPG-1373-21	Straight	0.076	0.055	0.012	ST	0.052	ST	0.089
HPG-1373-22	Straight	0.076	0.055	0.012	ST	0.052	ST	0.055
HPG-1373-23	Straight	0.076	0.055	0.012	ST	0.03	ST	0.205
HPG-1373-24	Straight	0.076	0.055	0.012	ST	0.03	ST	0.406
HPG-1373-25	Straight	0.076	0.055	0.012	ST	0.015	ST	0.047
HPG-1373-26	Straight	0.076	0.055	0.012	ST	0.03	ST	0.166
HPG-1380-01	Straight	0.098	0.075	0.012	ST	0.062	ST	0.09
HPG-1380-02	Straight	0.098	0.075	0.012	ST	0.1	ST	0.11
HPG-1380-03	Straight	0.098	0.075	0.012	ST	0.25	ST	0.25
HPG-1380-04	Straight	0.098	0.075	0.012	ST	0.114	ST	0.116
HPG-1380-05	Straight	0.098	0.075	0.012	ST	0.11	ST	0.2
HPG-1380-05	Straight	0.098	0.075	0.012	ST	0.11	ST	0.2
HPG-1380-06	Straight	0.098	0.075	0.012	ST	0.02	ST	0.11
HPG-1381	Straight	0.076	0.075	0.012	ST	0.065	ST	0.07
HPG-1388	Straight	0.076	0.04	0.012	ST	0.05	ST	0.07
HPG-1445-01	Straight	0.076	0.062	0.012	ST	0.055	ST	0.088
HPG-1445-02	Straight	0.076	0.062	0.012	ST	0.02	ST	0.04
HPG-1445-03	Straight	0.076	0.062	0.012	ST	0.014	ST	0.075
HPG-1446-01	Straight	0.076	0.075	0.012	ST	0.059	ST	0.062
HPG-1446-02	Straight	0.076	0.075	0.012	ST	0.03	ST	0.075
HPG-1446-03	Straight	0.076	0.075	0.012	ST	0.048	ST	0.06
HPG-1446-04	Straight	0.076	0.075	0.012	ST	0.05	ST	0.05
HPG-1446-05	Straight	0.076	0.075	0.012	ST	0.02	ST	0.03
HPG-1446-06	Straight	0.076	0.075	0.012	ST	0.015	ST	0.027
HPG-1457	Straight	0.098	0.062	0.012	ST	0.07	ST	0.4
HPG-146	Straight	0.098	0.062	0.012	ST	0.33	ST	0.33
HPG-1560	Straight	0.076	0.186	0.012	ST	0.075	ST	0.075
HPG-1562	Straight	0.076	0.04	0.012	ST	0.04	ST	0.04
HPG-1572-01	Straight	0.076	0.04	0.012	ST	0.02	ST	0.06
HPG-158	Straight	0.076	0.055	0.012	ST	0.03	ST	0.22
HPG-1590	Straight	0.076	0.186	0.012	ST	0.075	ST	0.075
HPG-1606	Straight	0.098	0.062	0.012	ST	0.12	ST	0.12
HPG-1635	Straight	0.076	0.16	0.012	ST	0.025	ST	0.066
HPG-1658	Straight	0.076	0.075	0.012	ST	0.05	ST	0.13
HPG-166	Straight	0.076	0.075	0.012	ST	0.015	ST	0.015
HPG-1671	Straight	0.076	0.12	0.012	ST	0.04	ST	0.052
HPG-1706	Straight	0.076	0.12	0.012	ST	0.07	ST	0.18
HPG-1706	Straight	0.076	0.12	0.012	ST	0.07	ST	0.18
HPG-1719	Straight	0.098	0.09	0.012	ST	0.045	ST	0.048
HPG-1724	Straight	0.076	0.36	0.012	ST	15	ST	29
HPG-1756-01	Straight	0.076	0.069	0.012	ST	0.125	ST	0.245
HPG-1777	Straight	0.098	0.062	0.012	ST	0.022	ST	0.022
HPG-1780-01	Straight	0.098	0.062	0.012	ST	0.22	ST	0.22
HPG-1798	Straight	0.076	0.12	0.012	ST	0.03	ST	0.036
HPG-182	Straight	0.076	0.04	0.012	ST	0.042	ST	0.09
HPG-1828-01	Straight	0.076	0.14	0.012	ST	0.058	ST	0.108

P/N	Type	D	L	d	Pin Type1	L1	Pin Type2	L2
HPG-184	Straight	0.076	0.055	0.012	ST	0.06	ST	0.19
HPG-1880	Straight	0.076	0.055	0.012	ST	0.385	BT	0.14
HPG-189	Straight	0.076	0.055	0.012	ST	0.042	ST	0.042
HPG-212	Straight	0.076	0.069	0.012	ST	0.055	ST	0.15
HPG-246	Straight	0.098	0.062	0.012	ST	0.5	ST	0.5
HPG-250	Straight	0.076	0.069	0.012	ST	0.15	ST	0.4
HPG-261	Straight	0.098	0.062	0.012	ST	0.077	ST	0.087
HPG-263	Straight	0.098	0.062	0.012	ST	0.11	ST	0.11
HPG-266	Straight	0.076	0.055	0.012	ST	0.12	ST	0.12
HPG-309	Straight	0.076	0.055	0.012	ST	0.12	ST	0.12
HPG-334	Straight	0.076	0.36	0.012	ST	0.015	ST	0.015
HPG-347	Straight	0.076	0.04	0.012	ST	0.025	ST	0.025
HPG-353	Straight	0.076	0.382	0.012	ST	0.015	ST	0.015
HPG-368	Straight	0.098	0.062	0.012	ST	0.06	FL	0.06
HPG-400	Straight	0.076	0.055	0.012	ST	0.029	ST	0.041
HPG-401	Straight	0.098	0.062	0.012	ST	0.25	ST	0.25
HPG-405	Straight	0.076	0.055	0.012	ST	0.041	ST	0.25
HPG-412	Straight	0.076	0.055	0.012	ST	0.029	ST	0.25
HPG-436	Straight	0.076	0.069	0.012	ST	0.1	ST	0.1
HPG-453-02	Straight	0.098	0.062	0.012	ST	0.125	ST	0.25
HPG-453-03	Straight	0.098	0.062	0.012	ST	0.25	ST	0.35
HPG-453-05	Straight	0.076	0.04	0.012	ST	0.05	ST	0.11
HPG-461	Straight	0.098	0.04	0.012	ST	0.125	ST	0.15
HPG-462	Straight	0.076	0.04	0.012	ST	0.04	ST	0.04
HPG-466-01	Straight	0.076	0.055	0.012	ST	0.029	ST	0.052
HPG-466-02	Straight	0.076	0.055	0.012	ST	0.029	ST	0.1
HPG-469	Straight	0.076	0.055	0.012	ST	0.1	ST	0.1
HPG-474	Straight	0.098	0.062	0.012	ST	0.05	ST	0.35
HPG-480	Straight	0.076	0.055	0.012	ST	0.024	ST	0.031
HPG-524	Straight	0.098	0.062	0.012	ST	0.125	ST	0.125
HPG-539	Straight	0.076	0.055	0.012	ST	0.03	NT	0.225
HPG-553	Straight	0.076	0.36	0.012	ST	0.05	ST	0.075
HPG-554	Straight	0.098	0.062	0.012	ST	0.075	ST	0.305
HPG-603-01	Straight	0.076	0.069	0.012	ST	0.012	ST	0.15
HPG-603-02	Straight	0.076	0.055	0.012	ST	0.012	ST	0.15
HPG-603-03	Straight	0.076	0.069	0.012	ST	0.02	ST	0.15
HPG-603-04	Straight	0.076	0.04	0.012	ST	0.01	ST	0.15
HPG-603-05	Straight	0.076	0.069	0.012	ST	0.012	ST	0.05
HPG-603-06	Straight	0.076	0.069	0.012	ST	0.012	ST	0.3
HPG-603-07	Straight	0.076	0.069	0.012	ST	0.012	ST	1.1
HPG-603-08	Straight	0.076	0.069	0.012	ST	0.012	ST	0.35
HPG-603-11	Straight	0.076	0.069	0.012	ST	0.012	ST	0.1
HPG-603-12	Straight	0.076	0.055	0.012	ST	0.012	ST	0.1
HPG-603-13	Straight	0.076	0.069	0.012	ST	0.012	ST	0.21
HPG-603-14	Straight	0.076	0.04	0.012	ST	0.07	ST	0.15
HPG-603-15	Straight	0.076	0.04	0.012	ST	0.09	ST	0.15
HPG-603-17	Straight	0.076	0.055	0.012	ST	0.025	ST	0.1
HPG-603-18	Straight	0.076	0.069	0.012	ST	0.07	ST	0.15
HPG-603-19	Straight	0.076	0.069	0.012	ST	0.04	ST	0.15
HPG-603-19	Straight	0.076	0.069	0.012	ST	0.04	ST	0.15
HPG-603-20	Straight	0.076	0.055	0.012	ST	0.012	ST	0.059
HPG-603-21	Straight	0.076	0.055	0.012	ST	0.02	ST	0.15

P/N	Type	D	L	d	Pin Type1	L1	Pin Type2	L2
HPG-627-01	Straight	0.098	0.125	0.012	ST	0.1	ST	0.1
HPG-627-02	Straight	0.098	0.125	0.012	ST	0.08	ST	0.1
HPG-629	Straight	0.076	0.069	0.012	ST	0.085	ST	0.125
HPG-631	Straight	0.098	0.062	0.012	ST	0.015	ST	1.5
HPG-643	Straight	0.098	0.062	0.012	ST	0.08	ST	0.08
HPG-653	Straight	0.076	0.055	0.012	ST	0.038	ST	0.038
HPG-717	Straight	0.076	0.075	0.012	ST	0.075	ST	0.14
HPG-720	Straight	0.076	0.075	0.012	ST	0.2	ST	0.2
HPG-741	Straight	0.076	0.075	0.012	ST	0.1	ST	0.502
HPG-760	Straight	0.076	0.055	0.012	ST	0.075	ST	0.14
HPG-775	Straight	0.076	0.055	0.012	ST	0.032	NT	0.14
HPG-778	Straight	0.098	0.062	0.012	ST	0.075	ST	0.1
HPG-814	Straight	0.076	0.16	0.012	ST	0.23	ST	0.23
HPG-840	Straight	0.076	0.055	0.012	ST	0.05	ST	0.11
HPG-908	Straight	0.076	0.055	0.012	ST	0.09	ST	0.25
HPG-981	Straight	0.076	0.055	0.012	ST	0.04	ST	0.18
HPG-1062	Straight	0.098	0.062	0.015	AN	0.04	ST	0.07
HPG-1070	Straight	0.098	0.062	0.015	AN	0.05	ST	0.06
HPG-1259	Straight	0.098	0.054	0.015	AN	0.217	ST	0.06
HPG-1267	Straight	0.098	0.054	0.015	AN	0.225	ST	0.05
HPG-1269	Straight	0.098	0.054	0.015	AN	0.04	ST	0.05
HPG-686	Straight	0.098	0.062	0.015	AN	0.022	ST	0.09
HPG-974	Straight	0.098	0.054	0.015	AN	0.043	ST	0.05
HPG-1536	Straight	0.11	0.06	0.015	CN	0.095	ST	0.08
HPG-317	Straight	0.098	0.125	0.015	FL	0.04	ST	0.065
HPG-044-01	Straight	0.098	0.062	0.015	RD	0.1	RD	0.125
HPG-044-02	Straight	0.098	0.062	0.015	RD	0.055	RD	0.113
HPG-044-03	Straight	0.098	0.062	0.015	RD	0.05	RD	0.25
HPG-1015	Straight	0.098	0.062	0.015	RD	0.072	ST	0.105
HPG-1026	Straight	0.098	0.062	0.015	RD	0.05	RD	0.065
HPG-1059	Straight	0.098	0.062	0.015	RD	0.07	RD	0.09
HPG-107	Straight	0.098	0.062	0.015	RD	0.072	RD	0.18
HPG-1072	Straight	0.098	0.062	0.015	RD	0.07	ST	0.04
HPG-1077	Straight	0.119	0.068	0.015	RD	0.2	ST	0.095
HPG-1081	Straight	0.098	0.132	0.015	RD	0.05	RD	0.05
HPG-1092	Straight	0.098	0.062	0.015	RD	0.105	ST	0.06
HPG-1093	Straight	0.098	0.125	0.015	RD	0.072	ST	0.032
HPG-1114-01	Straight	0.098	0.062	0.015	RD	0.055	ST	0.295
HPG-1114-02	Straight	0.098	0.062	0.015	RD	0.055	ST	0.061
HPG-1114-03	Straight	0.098	0.062	0.015	RD	0.055	ST	0.188
HPG-1114-04	Straight	0.098	0.062	0.015	RD	0.055	ST	0.206
HPG-1114-05	Straight	0.098	0.062	0.015	RD	0.055	ST	0.047
HPG-1114-06	Straight	0.098	0.062	0.015	RD	0.055	ST	0.063
HPG-1114-07	Straight	0.098	0.062	0.015	RD	0.055	ST	0.092
HPG-1114-08	Straight	0.098	0.062	0.015	RD	0.055	ST	0.112
HPG-1114-09	Straight	0.098	0.062	0.015	RD	0.055	ST	0.068
HPG-1114-10	Straight	0.098	0.062	0.015	RD	0.055	ST	0.153
HPG-1114-11	Straight	0.098	0.062	0.015	RD	0.055	ST	0.148
HPG-1114-12	Straight	0.098	0.062	0.015	RD	0.055	ST	0.053
HPG-1114-13	Straight	0.098	0.062	0.015	RD	0.055	ST	0.089
HPG-1114-14	Straight	0.098	0.062	0.015	RD	0.06	ST	0.25
HPG-1114-15	Straight	0.098	0.062	0.015	RD	0.055	ST	0.115

P/N	Type	D	L	d	Pin Type1	L1	Pin Type2	L2
HPG-1114-06	Straight	0.098	0.062	0.015	RD	0.055	ST	0.063
HPG-1114-07	Straight	0.098	0.062	0.015	RD	0.055	ST	0.092
HPG-1114-08	Straight	0.098	0.062	0.015	RD	0.055	ST	0.112
HPG-1114-09	Straight	0.098	0.062	0.015	RD	0.055	ST	0.068
HPG-1114-10	Straight	0.098	0.062	0.015	RD	0.055	ST	0.153
HPG-1114-11	Straight	0.098	0.062	0.015	RD	0.055	ST	0.148
HPG-1114-12	Straight	0.098	0.062	0.015	RD	0.055	ST	0.053
HPG-1114-13	Straight	0.098	0.062	0.015	RD	0.055	ST	0.089
HPG-1114-14	Straight	0.098	0.062	0.015	RD	0.06	ST	0.25
HPG-1114-15	Straight	0.098	0.062	0.015	RD	0.055	ST	0.115
HPG-1114-17	Straight	0.098	0.062	0.015	RD	0.055	ST	0.04
HPG-1114-18	Straight	0.098	0.062	0.015	RD	0.055	ST	0.075
HPG-1114-19	Straight	0.098	0.062	0.015	RD	0.06	ST	0.08
HPG-1117	Straight	0.098	0.075	0.015	RD	0.05	ST	0.02
HPG-1118	Straight	0.098	0.062	0.015	RD	0.08	RD	0.24
HPG-1178-01	Straight	0.11	0.21	0.015	RD	0.05	ST	0.05
HPG-1178-02	Straight	0.11	0.25	0.015	RD	0.05	ST	0.5
HPG-1184-02	Straight	0.098	0.062	0.015	RD	0.1	FL	0.125
HPG-1184-03	Straight	0.098	0.062	0.015	RD	0.1	FL	0.09
HPG-1193	Straight	0.098	0.062	0.015	RD	0.07	RD	0.113
HPG-1199	Straight	0.098	0.062	0.015	RD	0.07	ST	0.18
HPG-1200	Straight	0.098	0.062	0.015	RD	0.05	ST	0.35
HPG-1203	Straight	0.098	0.062	0.015	RD	0.05	ST	0.035
HPG-1206	Straight	0.098	0.062	0.015	RD	0.05	ST	0.6
HPG-1240-01	Straight	0.098	0.062	0.015	RD	0.07	ST	0.06
HPG-1240-02	Straight	0.098	0.062	0.015	RD	0.07	ST	0.18
HPG-1240-03	Straight	0.098	0.062	0.015	RD	0.05	ST	0.03
HPG-1240-04	Straight	0.098	0.062	0.015	RD	0.165	ST	0.115
HPG-1240-05	Straight	0.098	0.062	0.015	RD	0.07	ST	0.105
HPG-1240-06	Straight	0.098	0.062	0.015	RD	0.07	ST	0.125
HPG-1240-07	Straight	0.098	0.062	0.015	RD	0.07	ST	0.19
HPG-1240-08	Straight	0.098	0.062	0.015	RD	0.07	ST	0.065
HPG-1240-09	Straight	0.098	0.062	0.015	RD	0.07	ST	0.08
HPG-1240-11	Straight	0.098	0.062	0.015	RD	0.035	ST	0.1
HPG-1240-12	Straight	0.098	0.062	0.015	RD	0.06	ST	0.2
HPG-1240-13	Straight	0.098	0.062	0.015	RD	0.07	ST	0.15
HPG-1240-14	Straight	0.098	0.062	0.015	RD	0.075	ST	0.16
HPG-1257	Straight	0.098	0.062	0.015	RD	0.072	RD	0.19
HPG-1240-12	Straight	0.098	0.062	0.015	RD	0.06	ST	0.2
HPG-1240-13	Straight	0.098	0.062	0.015	RD	0.07	ST	0.15
HPG-1240-14	Straight	0.098	0.062	0.015	RD	0.075	ST	0.16
HPG-1257	Straight	0.098	0.062	0.015	RD	0.072	RD	0.19
HPG-1260	Straight	0.098	0.062	0.015	RD	0.07	RD	0.155
HPG-1280-01	Straight	0.098	0.062	0.015	RD	0.06	RD	0.28
HPG-1280-02	Straight	0.098	0.062	0.015	RD	0.065	RD	0.115
HPG-1280-03	Straight	0.098	0.062	0.015	RD	0.065	RD	0.125
HPG-1280-04	Straight	0.098	0.062	0.015	RD	0.035	RD	0.07
HPG-1280-06	Straight	0.098	0.062	0.015	RD	0.1	RD	0.125
HPG-1280-07	Straight	0.098	0.062	0.015	RD	0.072	RD	0.216
HPG-1280-08	Straight	0.098	0.062	0.015	RD	0.1	RD	0.237
HPG-1280-09	Straight	0.098	0.062	0.015	RD	0.075	RD	0.26
HPG-1280-10	Straight	0.098	0.062	0.015	RD	0.07	RD	0.072

P/N	Type	D	L	d	Pin Type1	L1	Pin Type2	L2
HPG-1280-11	Straight	0.098	0.062	0.015	RD	0.055	RD	0.107
HPG-1280-14	Straight	0.098	0.062	0.015	RD	0.025	RD	0.11
HPG-131	Straight	0.098	0.062	0.015	RD	0.05	RD	0.2
HPG-1320	Straight	0.098	0.062	0.015	RD	0.06	ST	0.04
HPG-1347	Straight	0.098	0.062	0.015	RD	0.09	ST	0.25
HPG-1414-03	Straight	0.098	0.062	0.015	RD	0.09	ST	0.132
HPG-1414-04	Straight	0.098	0.062	0.015	RD	0.072	ST	0.216
HPG-1414-05	Straight	0.098	0.062	0.015	RD	0.062	ST	0.06
HPG-1414-06	Straight	0.098	0.062	0.015	RD	0.062	ST	0.045
HPG-1414-07	Straight	0.098	0.062	0.015	RD	0.062	ST	0.076
HPG-1414-08	Straight	0.098	0.062	0.015	RD	0.1	ST	0.16
HPG-1414-09	Straight	0.098	0.062	0.015	RD	0.072	ST	0.063
HPG-1414-10	Straight	0.098	0.062	0.015	RD	0.089	ST	0.25
HPG-1414-11	Straight	0.098	0.062	0.015	RD	0.085	ST	0.235
HPG-1414-12	Straight	0.098	0.062	0.015	RD	0.065	ST	0.03
HPG-1414-13	Straight	0.098	0.062	0.015	RD	0.065	ST	0.04
HPG-1414-14	Straight	0.098	0.062	0.015	RD	0.055	ST	0.22
HPG-1414-15	Straight	0.098	0.062	0.015	RD	0.065	ST	0.18
HPG-1414-16	Straight	0.098	0.062	0.015	RD	0.057	ST	0.078
HPG-1414-17	Straight	0.098	0.062	0.015	RD	0.085	ST	0.105
HPG-1414-18	Straight	0.098	0.062	0.015	RD	0.057	ST	0.039
HPG-1414-20	Straight	0.098	0.062	0.015	RD	0.075	ST	0.265
HPG-1414-21	Straight	0.098	0.062	0.015	RD	0.065	ST	0.05
HPG-1468	Straight	0.098	0.062	0.015	RD	0.06	RD	0.125
HPG-1517-01	Straight	0.098	0.062	0.015	RD	0.06	RD	0.125
HPG-1517-02	Straight	0.098	0.062	0.015	RD	0.05	ST	0.09
HPG-1517-03	Straight	0.098	0.062	0.015	RD	0.05	ST	0.087
HPG-1517-04	Straight	0.098	0.062	0.015	RD	0.05	ST	0.217
HPG-1517-05	Straight	0.098	0.062	0.015	RD	0.05	ST	0.263
HPG-1517-06	Straight	0.098	0.062	0.015	RD	0.05	ST	0.208
HPG-1517-07	Straight	0.098	0.062	0.015	RD	0.05	ST	0.102
HPG-1517-08	Straight	0.098	0.062	0.015	RD	0.05	ST	0.04
HPG-1545	Straight	0.11	0.06	0.015	RD	0.095	RD	0.105
HPG-1545	Straight	0.11	0.06	0.015	RD	0.095	RD	0.105
HPG-1545	Straight	0.11	0.06	0.015	RD	0.095	RD	0.105
HPG-1575	Straight	0.098	0.062	0.015	RD	0.08	RD	0.25
HPG-1607	Straight	0.098	0.04	0.015	RD	0.046	ST	0.105
HPG-1616	Straight	0.098	0.062	0.015	RD	0.075	RD	0.225
HPG-1622-01	Straight	0.098	0.062	0.015	RD	0.088	ST	0.08
HPG-1626	Straight	0.098	0.062	0.015	RD	0.06	ST	0.115
HPG-1646	Straight	0.098	0.062	0.015	RD	0.072	RD	0.103
HPG-1656	Straight	0.098	0.062	0.015	RD	0.065	RD	0.07
HPG-1663	Straight	0.098	0.04	0.015	RD	0.14	ST	0.075
HPG-1681	Straight	0.098	0.125	0.015	RD	0.072	ST	0.06
HPG-1710	Straight	0.098	0.062	0.015	RD	0.072	RD	0.138
HPG-1727	Straight	0.098	0.06	0.015	RD	0.072	ST	0.177
HPG-176	Straight	0.098	0.062	0.015	RD	0.08	RD	0.08
HPG-1785	Straight	0.098	0.062	0.015	RD	0.08	RD	0.173
HPG-1804	Straight	0.098	0.062	0.015	RD	0.06	RD	0.19
HPG-1816-01	Straight	0.098	0.04	0.015	RD	0.1	ST	0.025
HPG-1826-01	Straight	0.098	0.125	0.015	RD	0.05	ST	0.035
HPG-1826-02	Straight	0.098	0.125	0.015	RD	0.072	ST	0.15

P/N	Type	D	L	d	Pin Type1	L1	Pin Type2	L2
HPG-186	Straight	0.098	0.062	0.015	RD	0.055	RD	0.07
HPG-1883	Straight	0.11	0.06	0.015	RD	0.095	ST	0.15
HPG-198	Straight	0.098	0.062	0.015	RD	0.125	RD	0.25
HPG-224	Straight	0.098	0.062	0.015	RD	0.082	RD	0.175
HPG-252	Straight	0.098	0.062	0.015	RD	0.089	RD	0.089
HPG-259	Straight	0.098	0.062	0.015	RD	0.13	RD	0.18
HPG-270	Straight	0.098	0.062	0.015	RD	0.07	ST	0.215
HPG-274	Straight	0.098	0.062	0.015	RD	0.072	ST	0.123
HPG-281	Straight	0.098	0.062	0.015	RD	0.08	RD	0.157
HPG-286	Straight	0.098	0.062	0.015	RD	0.075	ST	0.365
HPG-316	Straight	0.098	0.062	0.015	RD	0.1	ST	0.115
HPG-355	Straight	0.11	0.06	0.015	RD	0.072	ST	0.18
HPG-361	Straight	0.098	0.062	0.015	RD	0.072	RD	0.238
HPG-365	Straight	0.098	0.062	0.015	RD	0.05	RD	0.115
HPG-370	Straight	0.098	0.062	0.015	RD	0.1	RD	0.125
HPG-372	Straight	0.098	0.062	0.015	RD	0.086	RD	0.1
HPG-373	Straight	0.098	0.06	0.015	RD	0.1	RD	0.125
HPG-374	Straight	0.098	0.06	0.015	RD	0.072	ST	0.238
HPG-375	Straight	0.098	0.062	0.015	RD	0.072	RD	0.125
HPG-377	Straight	0.098	0.062	0.015	RD	0.1	RD	0.1
HPG-379	Straight	0.098	0.062	0.015	RD	0.09	RD	0.1
HPG-380	Straight	0.098	0.062	0.015	RD	0.046	RD	0.1
HPG-390	Straight	0.098	0.062	0.015	RD	0.1	RD	0.238
HPG-393	Straight	0.098	0.062	0.015	RD	0.1	RD	0.125
HPG-395	Straight	0.098	0.062	0.015	RD	0.05	ST	0.25
HPG-407	Straight	0.098	0.062	0.015	RD	0.072	ST	0.182
HPG-426	Straight	0.098	0.062	0.015	RD	0.07	ST	0.116
HPG-459	Straight	0.098	0.062	0.015	RD	0.05	ST	0.1
HPG-493-01	Straight	0.098	0.062	0.015	RD	0.155	ST	0.2
HPG-493-02	Straight	0.098	0.062	0.015	RD	0.08	ST	0.055
HPG-493-04	Straight	0.098	0.062	0.015	RD	0.08	ST	0.12
HPG-493-05	Straight	0.098	0.062	0.015	RD	0.08	ST	0.18
HPG-493-07	Straight	0.098	0.062	0.015	RD	0.05	ST	0.035
HPG-493-08	Straight	0.098	0.062	0.015	RD	0.08	ST	0.25
HPG-493-09	Straight	0.098	0.062	0.015	RD	0.05	ST	0.12
HPG-493-11	Straight	0.098	0.062	0.015	RD	0.08	ST	0.24
HPG-493-12	Straight	0.098	0.062	0.015	RD	0.05	ST	0.3
HPG-493-13	Straight	0.098	0.062	0.015	RD	0.05	ST	0.06
HPG-493-14	Straight	0.098	0.062	0.015	RD	0.05	ST	0.09
HPG-493-15	Straight	0.098	0.062	0.015	RD	0.05	ST	0.08
HPG-493-19	Straight	0.098	0.062	0.015	RD	0.08	ST	0.2
HPG-499	Straight	0.098	0.062	0.015	RD	0.05	ST	0.175
HPG-508	Straight	0.098	0.062	0.015	RD	0.08	ST	0.045
HPG-525	Straight	0.098	0.062	0.015	RD	0.1	ST	0.08
HPG-561	Straight	0.098	0.062	0.015	RD	0.08	ST	0.075
HPG-587	Straight	0.11	0.06	0.015	RD	0.065	RD	0.065
HPG-589	Straight	0.098	0.062	0.015	RD	0.065	ST	0.025
HPG-597	Straight	0.098	0.062	0.015	RD	0.05	ST	0.085
HPG-598	Straight	0.098	0.062	0.015	RD	0.05	ST	0.125
HPG-626-01	Straight	0.098	0.062	0.015	RD	0.05	RD	0.069
HPG-640	Straight	0.098	0.062	0.015	RD	0.09	ST	0.28
HPG-641	Straight	0.11	0.06	0.015	RD	0.09	ST	0.129

P/N	Type	D	L	d	Pin Type1	L1	Pin Type2	L2
HPG-658	Straight	0.098	0.062	0.015	RD	0.1	ST	0.16
HPG-673	Straight	0.098	0.062	0.015	RD	0.04	RD	0.132
HPG-689	Straight	0.098	0.062	0.015	RD	0.05	ST	0.025
HPG-690	Straight	0.098	0.062	0.015	RD	0.05	ST	0.4
HPG-693	Straight	0.098	0.062	0.015	RD	0.05	ST	0.14
HPG-715	Straight	0.098	0.125	0.015	RD	0.025	ST	0.06
HPG-758	Straight	0.098	0.062	0.015	RD	0.04	RD	0.05
HPG-765	Straight	0.098	0.062	0.015	RD	0.05	ST	0.437
HPG-769	Straight	0.098	0.062	0.015	RD	0.125	ST	0.25
HPG-805	Straight	0.098	0.062	0.015	RD	0.05	RD	0.18
HPG-809	Straight	0.098	0.062	0.015	RD	0.09	ST	0.2
HPG-813	Straight	0.098	0.062	0.015	RD	0.23	ST	0.16
HPG-825	Straight	0.098	0.062	0.015	RD	0.055	RD	0.08
HPG-828	Straight	0.098	0.062	0.015	RD	0.05	ST	0.18
HPG-831	Straight	0.098	0.09	0.015	RD	0.25	FL	0.125
HPG-832	Straight	0.098	0.062	0.015	RD	0.05	FL	0.125
HPG-844	Straight	0.098	0.062	0.015	RD	0.075	ST	0.125
HPG-846	Straight	0.098	0.062	0.015	RD	0.025	ST	0.085
HPG-899	Straight	0.098	0.062	0.015	RD	0.05	RD	0.08
HPG-902	Straight	0.098	0.062	0.015	RD	0.1	ST	0.25
HPG-909	Straight	0.11	0.14	0.015	RD	0.05	ST	0.05
HPG-911	Straight	0.098	0.062	0.015	RD	0.05	RD	0.072
HPG-963	Straight	0.11	0.06	0.015	RD	0.05	ST	0.3
HPG-989	Straight	0.119	0.068	0.015	RD	0.07	ST	0.15
HPG-1075	Flange	0.128	0.11	0.015	ST	0.255	ST	0.255
HPG-1425-01	Flange	0.128	0.11	0.015	ST	0.394	ST	0.394
HPG-922	Flange	0.128	0.11	0.015	ST	0.138	ST	0.13
HPG-923	Flange	0.128	0.177	0.015	ST	0.138	ST	0.063
HPG-044	Straight	0.098	0.062	0.015	ST	0.1	ST	0.125
HPG-1003	Straight	0.098	0.062	0.015	ST	0.11	ST	0.135
HPG-103	Straight	0.11	0.06	0.015	ST	0.09	ST	0.09
HPG-1048	Straight	0.098	0.09	0.015	ST	0.045	ST	0.207
HPG-1076	Straight	0.098	0.09	0.015	ST	0.045	ST	0.102
HPG-1122	Straight	0.11	0.14	0.015	ST	0.085	ST	0.25
HPG-1184-01	Straight	0.098	0.062	0.015	ST	0.043	FL	0.062
HPG-1215	Straight	0.098	0.062	0.015	ST	0.048	ST	0.072
HPG-122-01	Straight	0.098	0.062	0.015	ST	0.012	ST	0.365
HPG-122-02	Straight	0.098	0.062	0.015	ST	0.02	ST	0.355
HPG-1248-01	Straight	0.098	0.062	0.015	ST	0.05	ST	0.275
HPG-1248-02	Straight	0.098	0.062	0.015	ST	0.053	ST	0.053
HPG-1248-03	Straight	0.098	0.062	0.015	ST	0.025	ST	0.085
HPG-125	Straight	0.098	0.062	0.015	ST	0.077	ST	0.105
HPG-1265-04	Straight	0.098	0.21	0.015	ST	0.075	ST	0.04
HPG-1289	Straight	0.098	0.04	0.015	ST	0.08	ST	0.1
HPG-1299	Straight	0.098	0.04	0.015	ST	0.02	ST	0.025
HPG-1311	Straight	0.098	0.04	0.015	ST	0.25	FL	0.1
HPG-1326	Straight	0.098	0.075	0.015	ST	0.025	ST	0.025
HPG-1350	Straight	0.098	0.145	0.015	ST	0.2	ST	0.2
HPG-1412-01	Straight	0.098	0.062	0.015	ST	0.095	ST	0.095
HPG-1412-02	Straight	0.098	0.062	0.015	ST	0.4	ST	0.4
HPG-1412-03	Straight	0.098	0.062	0.015	ST	0.05	ST	0.35
HPG-1412-04	Straight	0.098	0.062	0.015	ST	0.02	ST	0.025

P/N	Type	D	L	d	Pin Type1	L1	Pin Type2	L2
HPG-1412-05	Straight	0.098	0.062	0.015	ST	0.1	ST	0.14
HPG-1412-06	Straight	0.098	0.062	0.015	ST	0.06	ST	0.2
HPG-1412-07	Straight	0.098	0.062	0.015	ST	0.02	ST	0.05
HPG-1412-08	Straight	0.098	0.062	0.015	ST	0.072	ST	0.18
HPG-1412-12	Straight	0.098	0.062	0.015	ST	0.3	ST	0.5
HPG-1412-14	Straight	0.098	0.062	0.015	ST	0.1	ST	0.238
HPG-1412-15	Straight	0.098	0.062	0.015	ST	0.04	ST	0.1
HPG-1456	Straight	0.098	0.245	0.015	ST	0.095	ST	0.261
HPG-1460	Straight	0.098	0.062	0.015	ST	0.04	ST	0.055
HPG-1556	Straight	0.098	0.04	0.015	ST	0.08	ST	0.1
HPG-1573	Straight	0.098	0.062	0.015	ST	0.25	ST	0.2
HPG-1655	Straight	0.098	0.062	0.015	ST	0.2	ST	0.25
HPG-1666	Straight	0.098	0.062	0.015	ST	0.08	ST	0.083
HPG-1718	Straight	0.098	0.09	0.015	ST	0.09	ST	0.09
HPG-173-01	Straight	0.098	0.062	0.015	ST	0.125	ST	0.25
HPG-173-02	Straight	0.098	0.062	0.015	ST	0.108	ST	0.141
HPG-173-03	Straight	0.098	0.062	0.015	ST	0.063	ST	0.191
HPG-173-04	Straight	0.098	0.062	0.015	ST	0.075	ST	0.215
HPG-173-05	Straight	0.098	0.062	0.015	ST	0.075	ST	0.225
HPG-173-06	Straight	0.098	0.062	0.015	ST	0.075	ST	0.2
HPG-173-07	Straight	0.098	0.062	0.015	ST	0.105	ST	0.175
HPG-173-08	Straight	0.098	0.062	0.015	ST	0.045	ST	0.175
HPG-173-09	Straight	0.098	0.062	0.015	ST	0.075	ST	0.1
HPG-173-10	Straight	0.098	0.062	0.015	ST	0.075	ST	0.075
HPG-173-11	Straight	0.098	0.062	0.015	ST	0.063	ST	0.25
HPG-1738	Straight	0.098	0.15	0.015	ST	0.06	ST	0.06
HPG-1825	Straight	0.098	0.04	0.015	ST	0.023	ST	0.104
HPG-1830-01	Straight	0.098	0.145	0.015	ST	0.1	ST	0.1
HPG-1847-01	Straight	0.11	0.06	0.015	ST	0.15	ST	0.3
HPG-1867	Straight	0.098	0.078	0.015	ST	0.075	ST	0.095
HPG-1884-01	Straight	0.098	0.06	0.015	ST	0.16	ST	0.23
HPG-202	Straight	0.098	0.062	0.015	ST	0.11	ST	0.26
HPG-205	Straight	0.098	0.062	0.015	ST	0.02	ST	0.08
HPG-222-01	Straight	0.098	0.062	0.015	ST	0.1	ST	0.25
HPG-222-02	Straight	0.098	0.062	0.015	ST	0.07	ST	0.12
HPG-222-03	Straight	0.098	0.062	0.015	ST	0.07	ST	0.22
HPG-222-04	Straight	0.098	0.062	0.015	ST	0.07	ST	0.15
HPG-256	Straight	0.098	0.062	0.015	ST	0.013	ST	0.1
HPG-278	Straight	0.098	0.062	0.015	ST	0.045	ST	0.106
HPG-279	Straight	0.098	0.062	0.015	ST	0.082	ST	0.158
HPG-280	Straight	0.098	0.062	0.015	ST	0.08	ST	0.252
HPG-294	Straight	0.098	0.062	0.015	ST	0.011	ST	0.058
HPG-297	Straight	0.098	0.062	0.015	ST	0.03	ST	0.1
HPG-299	Straight	0.098	0.062	0.015	ST	0.096	ST	0.15
HPG-350	Straight	0.098	0.145	0.015	ST	0.07	ST	0.1
HPG-416	Straight	0.098	0.062	0.015	ST	0.13	FL	0.06
HPG-417	Straight	0.098	0.04	0.015	ST	0.13	FL	0.06
HPG-453-04	Straight	0.098	0.062	0.015	ST	0.125	ST	0.25
HPG-453-19	Straight	0.098	0.062	0.015	ST	0.025	ST	0.04
HPG-468	Straight	0.098	0.062	0.015	ST	0.08	ST	0.25
HPG-504	Straight	0.098	0.062	0.015	ST	0.05	ST	0.122
HPG-510	Straight	0.098	0.062	0.015	ST	0.105	ST	0.135

P/N	Type	D	L	d	Pin Type1	L1	Pin Type2	L2
HPG-532	Straight	0.098	0.145	0.015	ST	0.15	ST	0.215
HPG-595	Straight	0.098	0.04	0.015	ST	0.04	ST	0.35
HPG-596	Straight	0.098	0.062	0.015	ST	0.05	ST	0.09
HPG-628	Straight	0.098	0.125	0.015	ST	0.1	ST	0.1
HPG-646	Straight	0.098	0.145	0.015	ST	0.033	ST	0.08
HPG-677	Straight	0.098	0.062	0.015	ST	0.07	ST	0.07
HPG-691	Straight	0.098	0.062	0.015	ST	0.05	ST	0.25
HPG-721	Straight	0.098	0.075	0.015	ST	0.25	ST	0.25
HPG-762	Straight	0.098	0.062	0.015	ST	0.08	ST	0.25
HPG-768	Straight	0.098	0.145	0.015	ST	0.085	ST	0.1
HPG-779	Straight	0.098	0.062	0.015	ST	0.075	ST	0.09
HPG-833	Straight	0.098	0.062	0.015	ST	0.03	ST	0.08
HPG-897	Straight	0.098	0.062	0.015	ST	0.053	ST	0.085
HPG-926	Straight	0.098	0.145	0.015	ST	0.073	ST	0.16
HPG-936	Straight	0.098	0.145	0.015	ST	0.072	ST	0.072
HPG-947	Straight	0.098	0.062	0.015	ST	0.05	ST	0.125
HPG-973	Straight	0.098	0.054	0.015	ST	0.05	FL	0.06
HPG-341	Straight	0.11	0.06	0.018	CN	0.095	ST	0.1
HPG-1080	Straight	0.11	0.06	0.018	FL	0.08	ST	0.5
HPG-1674	Straight	0.11	0.06	0.018	NH	0.083	ST	0.143
HPG-574	Straight	0.11	0.06	0.018	NH	0.07	ST	0.15
HPG-611	Straight	0.11	0.06	0.018	NH	0.046	ST	0.16
HPG-698	Straight	0.11	0.06	0.018	NT	0.11	ST	0.1
HPG-1017	Straight	0.11	0.06	0.018	RD	0.05	ST	0.05
HPG-1071	Straight	0.11	0.06	0.018	RD	0.18	RD	0.18
HPG-1156	Straight	0.11	0.06	0.018	RD	0.072	RD	0.23
HPG-1156-01	Straight	0.11	0.06	0.018	RD	0.072	RD	0.121
HPG-1162	Straight	0.11	0.06	0.018	RD	0.2	ST	0.1
HPG-1217	Straight	0.11	0.06	0.018	RD	0.09	ST	0.25
HPG-1226	Straight	0.11	0.06	0.018	RD	0.08	ST	0.45
HPG-1232	Straight	0.11	0.09	0.018	RD	0.083	RD	0.76
HPG-1283	Straight	0.11	0.06	0.018	RD	0.05	ST	0.15
HPG-1328	Straight	0.11	0.06	0.018	RD	0.068	RD	0.072
HPG-1397-01	Straight	0.11	0.06	0.018	RD	0.1	ST	0.235
HPG-1397-02	Straight	0.11	0.06	0.018	RD	0.2	ST	0.15
HPG-1397-03	Straight	0.11	0.06	0.018	RD	0.072	ST	0.11
HPG-1397-04	Straight	0.11	0.06	0.018	RD	0.072	ST	0.2
HPG-1397-05	Straight	0.11	0.06	0.018	RD	0.072	ST	0.6
HPG-1397-06	Straight	0.11	0.06	0.018	RD	0.1	ST	0.25
HPG-1397-07	Straight	0.11	0.06	0.018	RD	0.1	ST	0.094
HPG-1397-08	Straight	0.11	0.06	0.018	RD	0.072	ST	0.18
HPG-1419	Straight	0.11	0.06	0.018	RD	0.09	ST	0.125
HPG-1484	Straight	0.11	0.06	0.018	RD	0.07	ST	0.063
HPG-152	Straight	0.11	0.06	0.018	RD	0.035	ST	0.06
HPG-1547	Straight	0.11	0.06	0.018	RD	0.074	ST	0.122
HPG-1549	Straight	0.11	0.06	0.018	RD	0.072	ST	0.25
HPG-1598	Straight	0.11	0.06	0.018	RD	0.1	ST	0.263
HPG-1709	Straight	0.11	0.06	0.018	RD	0.1	ST	0.21
HPG-1737	Straight	0.11	0.06	0.018	RD	0.072	ST	0.095
HPG-1775-01	Straight	0.11	0.14	0.018	RD	0.095	ST	0.235
HPG-187	Straight	0.11	0.06	0.018	RD	0.08	RD	0.17
HPG-363	Straight	0.11	0.06	0.018	RD	0.072	RD	0.113

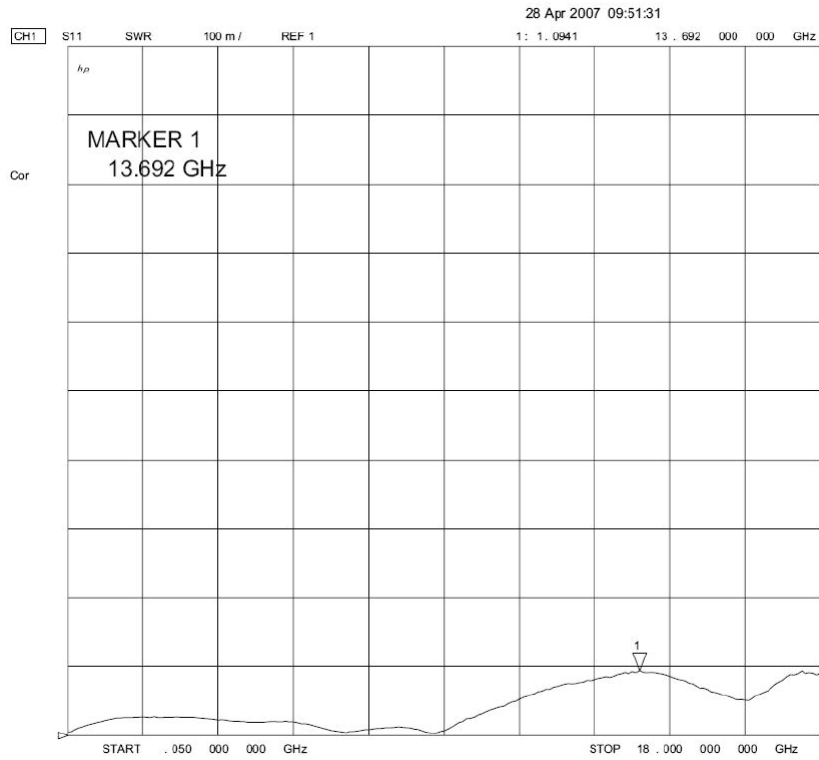
P/N	Type	D	L	d	Pin Type1	L1	Pin Type2	L2
HPG-406	Straight	0.11	0.06	0.018	RD	0.072	RD	0.24
HPG-498	Straight	0.11	0.06	0.018	RD	0.072	ST	0.375
HPG-511	Straight	0.11	0.06	0.018	RD	0.075	ST	0.06
HPG-555	Straight	0.11	0.06	0.018	RD	0.05	RD	0.125
HPG-586	Straight	0.11	0.06	0.018	RD	0.065	ST	0.065
HPG-593	Straight	0.11	0.06	0.018	RD	0.065	ST	0.065
HPG-729-01	Straight	0.11	0.06	0.018	RD	0.109	ST	0.545
HPG-729-02	Straight	0.11	0.06	0.018	RD	0.109	ST	0.275
HPG-743	Straight	0.11	0.06	0.018	RD	0.1	RD	0.15
HPG-746	Straight	0.11	0.06	0.018	RD	0.09	ST	0.25
HPG-796	Straight	0.11	0.06	0.018	RD	0.06	ST	0.34
HPG-834	Straight	0.11	0.06	0.018	RD	0.072	ST	0.148
HPG-836	Straight	0.11	0.06	0.018	RD	0.2	ST	0.18
HPG-854	Straight	0.11	0.06	0.018	RD	0.06	ST	0.6
HPG-964	Straight	0.11	0.06	0.018	RD	0.072	RD	0.25
HPG-985	Straight	0.11	0.06	0.018	RD	0.075	ST	0.025
HPG-1046	Straight	0.11	0.06	0.018	ST	0.059	ST	0.275
HPG-1079	Straight	0.11	0.06	0.018	ST	0.04	ST	0.5
HPG-1094	Straight	0.11	0.04	0.018	ST	0.1	ST	0.25
HPG-1131	Straight	0.11	0.06	0.018	ST	0.06	ST	0.5
HPG-1138	Straight	0.11	0.06	0.018	ST	0.07	ST	0.175
HPG-1147	Straight	0.11	0.06	0.018	ST	0.013	ST	0.145
HPG-1180	Straight	0.11	0.09	0.018	ST	0.09	ST	0.3
HPG-1228	Straight	0.11	0.06	0.018	ST	0.015	ST	0.139
HPG-1303	Straight	0.11	0.09	0.018	ST	0.02	ST	0.14
HPG-1331	Straight	0.11	0.06	0.018	ST	0.17	ST	0.17
HPG-1368	Straight	0.11	0.14	0.018	ST	0.027	ST	0.083
HPG-1369	Straight	0.11	0.14	0.018	ST	0.073	ST	0.073
HPG-142	Straight	0.11	0.06	0.018	ST	0.05	ST	0.05
HPG-1424	Straight	0.11	0.06	0.018	ST	0.07	BT	0.14
HPG-1459	Straight	0.11	0.09	0.018	ST	0.096	ST	0.184
HPG-1466-01	Straight	0.11	0.09	0.018	ST	0.12	ST	0.12
HPG-1466-02	Straight	0.11	0.09	0.018	ST	0.1	ST	0.125
HPG-1466-03	Straight	0.11	0.09	0.018	ST	0.125	ST	0.125
HPG-1466-04	Straight	0.11	0.09	0.018	ST	0.1	ST	0.167
HPG-1485	Straight	0.11	0.06	0.018	ST	0.2	ST	0.3
HPG-1528	Straight	0.11	0.06	0.018	ST	0.15	BT	0.15
HPG-1559-01	Straight	0.11	0.06	0.018	ST	0.1	ST	0.2
HPG-1559-02	Straight	0.11	0.06	0.018	ST	0.06	ST	0.112
HPG-1559-03	Straight	0.11	0.06	0.018	ST	0.075	ST	0.18
HPG-159	Straight	0.11	0.06	0.018	ST	0.1	ST	0.17
HPG-159-01	Straight	0.11	0.06	0.018	ST	0.1	ST	0.6
HPG-1713	Straight	0.11	0.14	0.018	ST	0.085	ST	0.3
HPG-197	Straight	0.11	0.06	0.018	ST	0.08	ST	0.17
HPG-219	Straight	0.11	0.06	0.018	ST	0.06	ST	0.1
HPG-221	Straight	0.11	0.06	0.018	ST	0.3	ST	0.3
HPG-248	Straight	0.11	0.06	0.018	ST	0.06	ST	0.125
HPG-288	Straight	0.11	0.06	0.018	ST	0.1	ST	0.33
HPG-290	Straight	0.11	0.06	0.018	ST	0.06	ST	0.135
HPG-315	Straight	0.11	0.06	0.018	ST	0.1	ST	0.1
HPG-362-01	Straight	0.11	0.06	0.018	ST	0.07	ST	0.14
HPG-362-02	Straight	0.11	0.06	0.018	ST	0.07	ST	0.25

P/N	Type	D	L	d	Pin Type1	L1	Pin Type2	L2
HPG-410	Straight	0.11	0.06	0.018	ST	0.072	ST	0.25
HPG-415	Straight	0.11	0.06	0.018	ST	0.15	ST	0.3
HPG-429	Straight	0.11	0.06	0.018	ST	0.035	ST	0.075
HPG-440	Straight	0.11	0.14	0.018	ST	0.08	ST	0.1
HPG-445-01	Straight	0.11	0.14	0.018	ST	0.045	ST	0.045
HPG-445-02	Straight	0.11	0.14	0.018	ST	0.09	ST	0.269
HPG-453-01	Straight	0.11	0.06	0.018	ST	0.06	ST	0.135
HPG-568	Straight	0.11	0.06	0.018	ST	0.1	ST	0.25
HPG-606	Straight	0.11	0.06	0.018	ST	0.1	ST	0.3
HPG-672	Straight	0.11	0.06	0.018	ST	0.072	ST	0.23
HPG-709	Straight	0.11	0.06	0.018	ST	0.08	NT	0.315
HPG-742	Straight	0.11	0.06	0.018	ST	0.1	ST	0.6
HPG-782	Straight	0.11	0.09	0.018	ST	0.1	ST	0.6
HPG-800	Straight	0.11	0.06	0.018	ST	0.015	ST	0.056
HPG-811	Straight	0.11	0.06	0.018	ST	0.056	ST	0.084
HPG-979	Straight	0.11	0.09	0.018	ST	0.05	ST	0.05
HPG-1087	Straight	0.158	0.06	0.02	CN	0.095	ST	0.25
HPG-1246	Straight	0.158	0.06	0.02	CN	0.095	ST	0.185
HPG-1423	Straight	0.158	0.06	0.02	CN	0.095	ST	0.065
HPG-1835-01	Straight	0.158	0.06	0.02	CN	0.095	ST	0.385
HPG-577	Straight	0.158	0.06	0.02	CN	0.095	ST	0.098
HPG-719	Straight	0.158	0.06	0.02	CN	0.095	ST	0.13
HPG-855	Straight	0.158	0.06	0.02	CN	0.095	ST	0.175
HPG-900	Straight	0.158	0.06	0.02	CN	0.095	ST	0.135
HPG-967	Straight	0.158	0.06	0.02	CN	0.095	ST	0.21
HPG-318-01	Straight	0.158	0.06	0.02	HN	0.02	HN	0.045
HPG-318-02	Straight	0.158	0.06	0.02	HN	0.07	HN	0.189
HPG-053	Straight	0.158	0.06	0.02	RD	0.07	RD	0.164
HPG-1068	Straight	0.158	0.06	0.02	RD	0.067	ST	0.25
HPG-112	Straight	0.158	0.06	0.02	RD	0.07	RD	0.11
HPG-1201	Straight	0.158	0.06	0.02	RD	0.355	ST	0.14
HPG-782	Straight	0.11	0.09	0.018	ST	0.1	ST	0.6
HPG-1220	Straight	0.158	0.06	0.02	RD	0.07	ST	0.21
HPG-1229	Straight	0.158	0.07	0.02	RD	0.07	RD	0.08
HPG-1234-01	Straight	0.158	0.06	0.02	RD	0.05	ST	0.23
HPG-1234-02	Straight	0.158	0.06	0.02	RD	0.05	ST	0.19
HPG-1234-03	Straight	0.158	0.06	0.02	RD	0.05	ST	0.25
HPG-1234-04	Straight	0.158	0.06	0.02	RD	0.1	ST	0.16
HPG-1266	Straight	0.158	0.07	0.02	RD	0.08	ST	0.11
HPG-127	Straight	0.158	0.06	0.02	RD	0.1	ST	0.138
HPG-130	Straight	0.158	0.06	0.02	RD	0.3	RD	0.3
HPG-1541	Straight	0.158	0.07	0.02	RD	0.08	ST	0.32
HPG-171	Straight	0.158	0.06	0.02	RD	0.07	ST	0.115
HPG-193	Straight	0.158	0.06	0.02	RD	0.07	RD	0.095
HPG-200	Straight	0.158	0.06	0.02	RD	0.07	RD	0.3
HPG-357	Straight	0.158	0.06	0.02	RD	0.06	RD	0.205
HPG-378	Straight	0.158	0.06	0.02	RD	0.07	RD	0.3
HPG-385	Straight	0.158	0.06	0.02	RD	0.3	RD	0.3
HPG-453-16	Straight	0.158	0.06	0.02	RD	0.05	ST	0.18
HPG-507	Straight	0.158	0.06	0.02	RD	0.05	RD	0.125
HPG-531-03	Straight	0.158	0.06	0.02	RD	0.05	RD	0.125
HPG-531-18	Straight	0.144	0.06	0.02	RD	0.07	ST	0.066

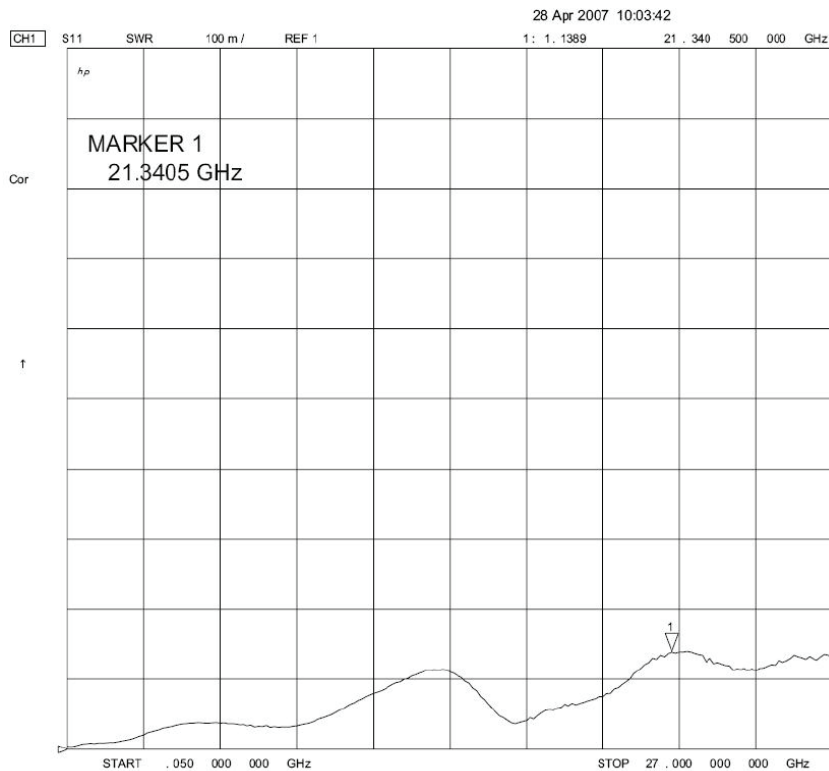
P/N	Type	D	L	d	Pin Type1	L1	Pin Type2	L2
HPG-536	Straight	0.158	0.06	0.02	RD	0.05	RD	0.05
HPG-558	Straight	0.158	0.06	0.02	RD	0.055	RD	0.106
HPG-571	Straight	0.158	0.06	0.02	RD	0.06	RD	0.09
HPG-602-01	Straight	0.158	0.06	0.02	RD	0.05	ST	0.012
HPG-602-02	Straight	0.158	0.06	0.02	RD	0.05	ST	0.015
HPG-602-03	Straight	0.158	0.06	0.02	RD	0.05	ST	0.025
HPG-602-04	Straight	0.158	0.06	0.02	RD	0.05	ST	0.06
HPG-602-05	Straight	0.158	0.06	0.02	RD	0.05	ST	0.065
HPG-602-06	Straight	0.158	0.06	0.02	RD	0.05	ST	0.07
HPG-602-07	Straight	0.158	0.06	0.02	RD	0.05	ST	0.075
HPG-602-08	Straight	0.158	0.06	0.02	RD	0.05	ST	0.08
HPG-602-09	Straight	0.158	0.06	0.02	RD	0.05	ST	0.1
HPG-602-10	Straight	0.158	0.06	0.02	RD	0.05	ST	0.12
HPG-602-11	Straight	0.158	0.06	0.02	RD	0.05	ST	0.125
HPG-602-12	Straight	0.158	0.06	0.02	RD	0.05	ST	0.13
HPG-602-13	Straight	0.158	0.06	0.02	RD	0.05	ST	0.16
HPG-602-14	Straight	0.158	0.06	0.02	RD	0.05	ST	0.17
HPG-602-15	Straight	0.158	0.06	0.02	RD	0.05	ST	0.185
HPG-602-16	Straight	0.158	0.06	0.02	RD	0.05	ST	0.25
HPG-602-17	Straight	0.158	0.06	0.02	RD	0.05	ST	0.26
HPG-602-18	Straight	0.158	0.06	0.02	RD	0.05	ST	0.055
HPG-602-19	Straight	0.158	0.06	0.02	RD	0.05	ST	0.067
HPG-602-20	Straight	0.158	0.06	0.02	RD	0.05	ST	0.095
HPG-602-21	Straight	0.158	0.06	0.02	RD	0.05	ST	0.11
HPG-602-22	Straight	0.158	0.06	0.02	RD	0.05	ST	0.155
HPG-602-23	Straight	0.158	0.06	0.02	RD	0.05	ST	0.175
HPG-602-24	Straight	0.158	0.06	0.02	RD	0.05	ST	0.022
HPG-620	Straight	0.158	0.06	0.02	RD	0.095	ST	0.5
HPG-620-01	Straight	0.158	0.06	0.02	RD	0.095	ST	0.75
HPG-645	Straight	0.158	0.06	0.02	RD	0.06	ST	0.25
HPG-668	Straight	0.158	0.06	0.02	RD	0.06	RD	0.225
HPG-669	Straight	0.158	0.06	0.02	RD	0.07	RD	0.28
HPG-674	Straight	0.158	0.06	0.02	RD	0.05	FL	0.125
HPG-702	Straight	0.158	0.06	0.02	RD	0.092	RD	0.507
HPG-711	Straight	0.158	0.06	0.02	RD	0.07	ST	0.132
HPG-713	Straight	0.158	0.06	0.02	RD	0.07	RD	0.132
HPG-735	Straight	0.158	0.06	0.02	RD	0.08	ST	0.175
HPG-764	Straight	0.11	0.06	0.02	RD	0.06	ST	0.34
HPG-783	Straight	0.158	0.06	0.02	RD	0.06	RD	0.185
HPG-826	Straight	0.158	0.06	0.02	RD	0.23	ST	0.16
HPG-983	Straight	0.158	0.06	0.02	RD	0.06	ST	0.203
HPG-102	Straight	0.158	0.06	0.02	ST	0.04	ST	0.093
HPG-105	Straight	0.158	0.06	0.02	ST	0.06	ST	0.1
HPG-119	Straight	0.158	0.06	0.02	ST	0.07	ST	0.13
HPG-1467	Straight	0.158	0.06	0.02	ST	0.065	ST	0.07
HPG-1578-01	Straight	0.158	0.06	0.02	ST	0.095	ST	0.5
HPG-1578-02	Straight	0.158	0.06	0.02	ST	0.103	ST	0.2
HPG-160	Straight	0.158	0.06	0.02	ST	0.035	ST	0.08
HPG-1707	Straight	0.158	0.07	0.02	ST	0.06	ST	0.24
HPG-177	Straight	0.158	0.06	0.02	ST	0.1	ST	0.35
HPG-235	Straight	0.158	0.06	0.02	ST	0.08	ST	0.155
HPG-271	Straight	0.158	0.06	0.02	ST	0.3	ST	0.3

P/N	Type	D	L	d	Pin Type1	L1	Pin Type2	L2
HPG-325	Straight	0.158	0.06	0.02	ST	0.09	ST	0.45
HPG-337	Straight	0.158	0.06	0.02	ST	0.05	ST	0.04
HPG-453-09	Straight	0.158	0.06	0.02	ST	0.06	ST	0.203
HPG-483	Straight	0.158	0.06	0.02	ST	0.125	ST	0.15
HPG-502	Straight	0.158	0.06	0.02	ST	0.15	ST	0.2
HPG-547-01	Straight	0.158	0.07	0.02	ST	0.023	ST	0.047
HPG-547-02	Straight	0.158	0.07	0.02	ST	0.023	ST	0.083
HPG-547-03	Straight	0.158	0.07	0.02	ST	0.047	ST	0.071
HPG-547-04	Straight	0.158	0.07	0.02	ST	0.07	ST	0.08
HPG-547-05	Straight	0.158	0.07	0.02	ST	0.076	ST	0.229
HPG-547-06	Straight	0.158	0.07	0.02	ST	0.076	ST	0.185
HPG-607	Straight	0.158	0.06	0.02	ST	0.07	ST	0.132
HPG-650	Straight	0.158	0.07	0.02	ST	0.07	ST	0.08
HPG-666	Straight	0.158	0.07	0.02	ST	0.07	ST	0.08
HPG-781	Straight	0.158	0.06	0.02	ST	0.11	ST	0.11
HPG-1004	Straight	0.158	0.06	0.024	RD	0.125	ST	0.18
HPG-1166	Straight	0.158	0.06	0.024	RD	0.05	ST	0.35
HPG-349	Straight	0.158	0.06	0.024	RD	0.06	ST	0.26
HPG-1661	Straight	0.158	0.06	0.024	ST	0.125	ST	0.154
HPG-1439	Straight	0.076	0.062	0.012	ST	0.055	ST	0.108
HPG-144	Straight	0.076	0.055	0.012	ST	0.082	ST	0.05

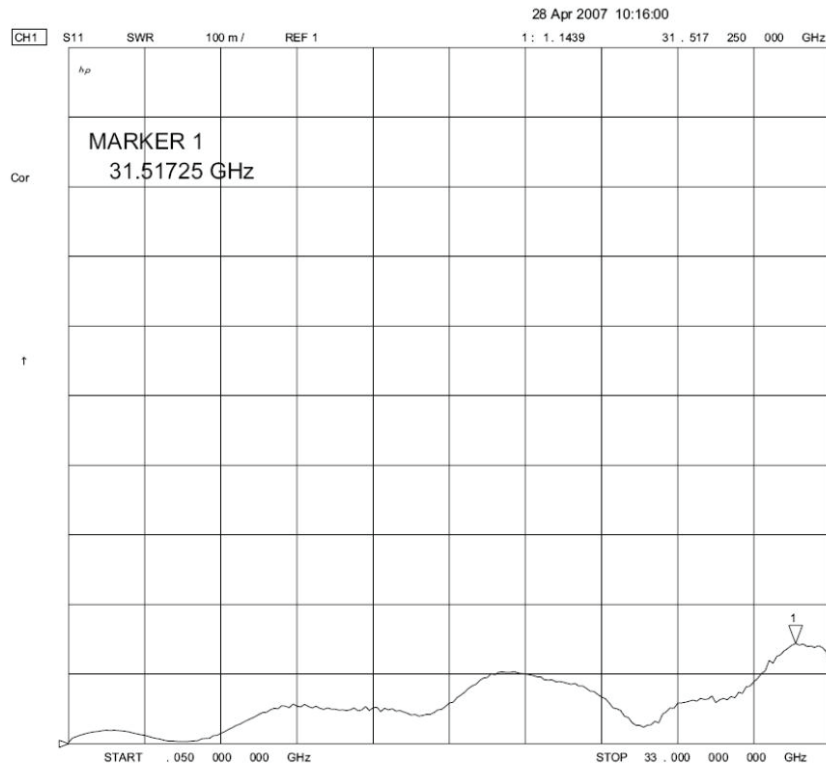
Typical Test Data



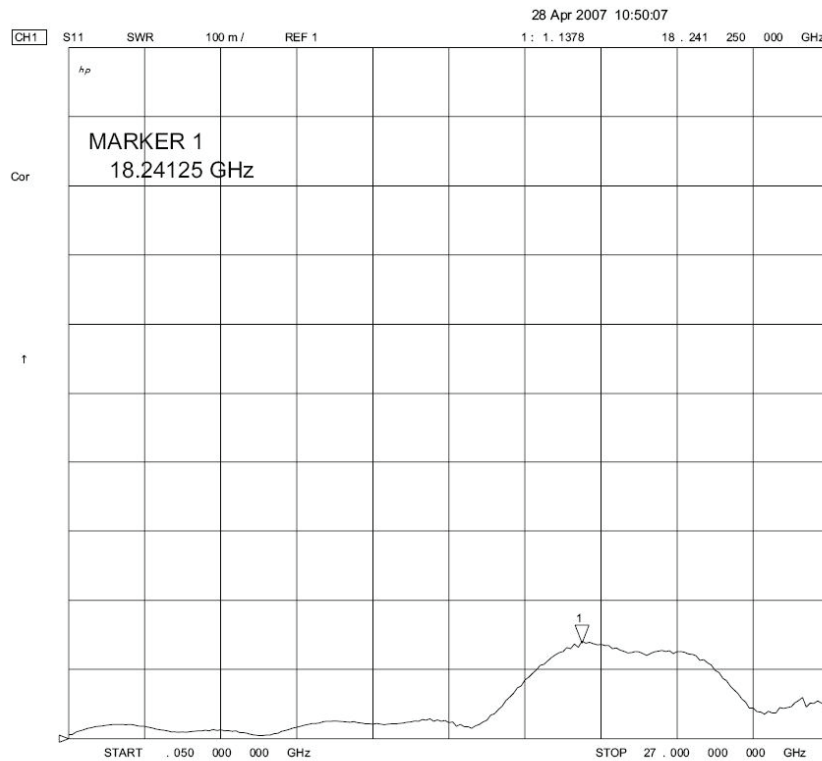
**Adapter: HPA111-02
N/Male-N/Female**



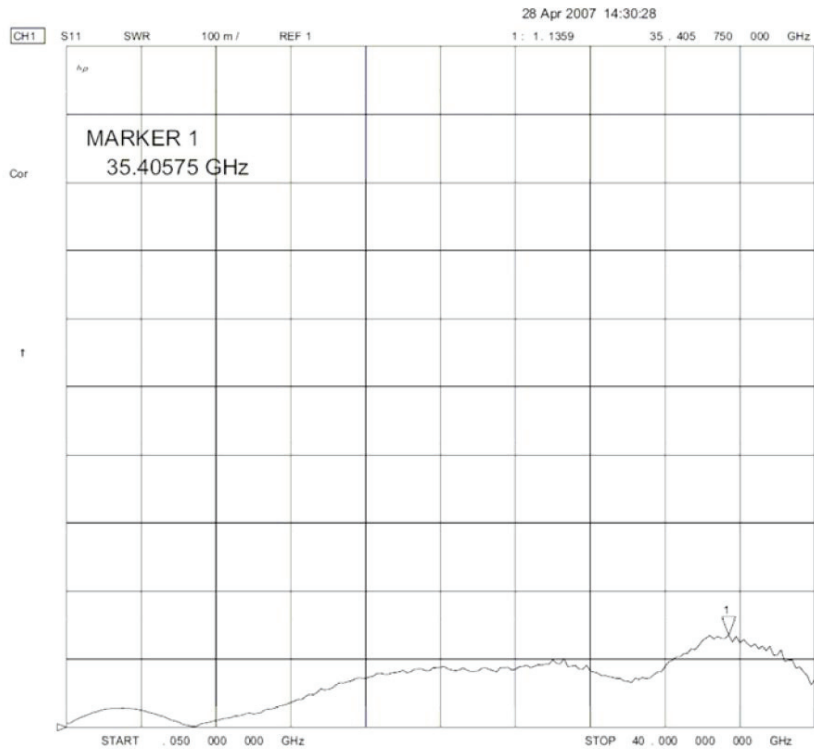
**Adapter: HPA112-01
SMA/Female-SMA/Female**



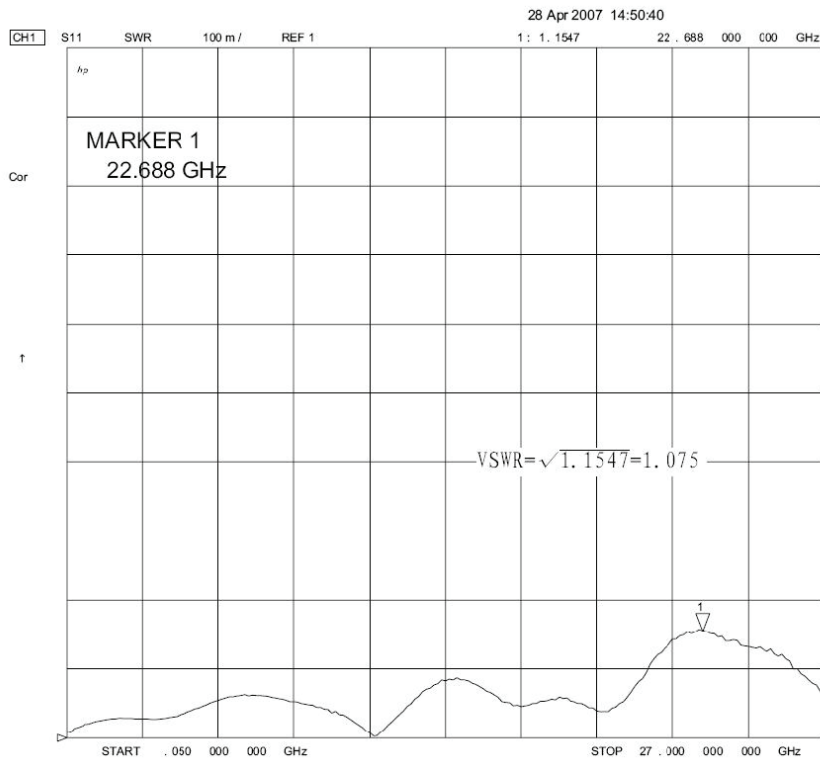
Adapter: HPA113-01
3.5mm/Female-3.5mm/Female



Adapter: HPA152-01
2.92mm/Female-SMA/Female



**Adapter: HPA115-01
2.4mm/Female-2.4mm/Female**



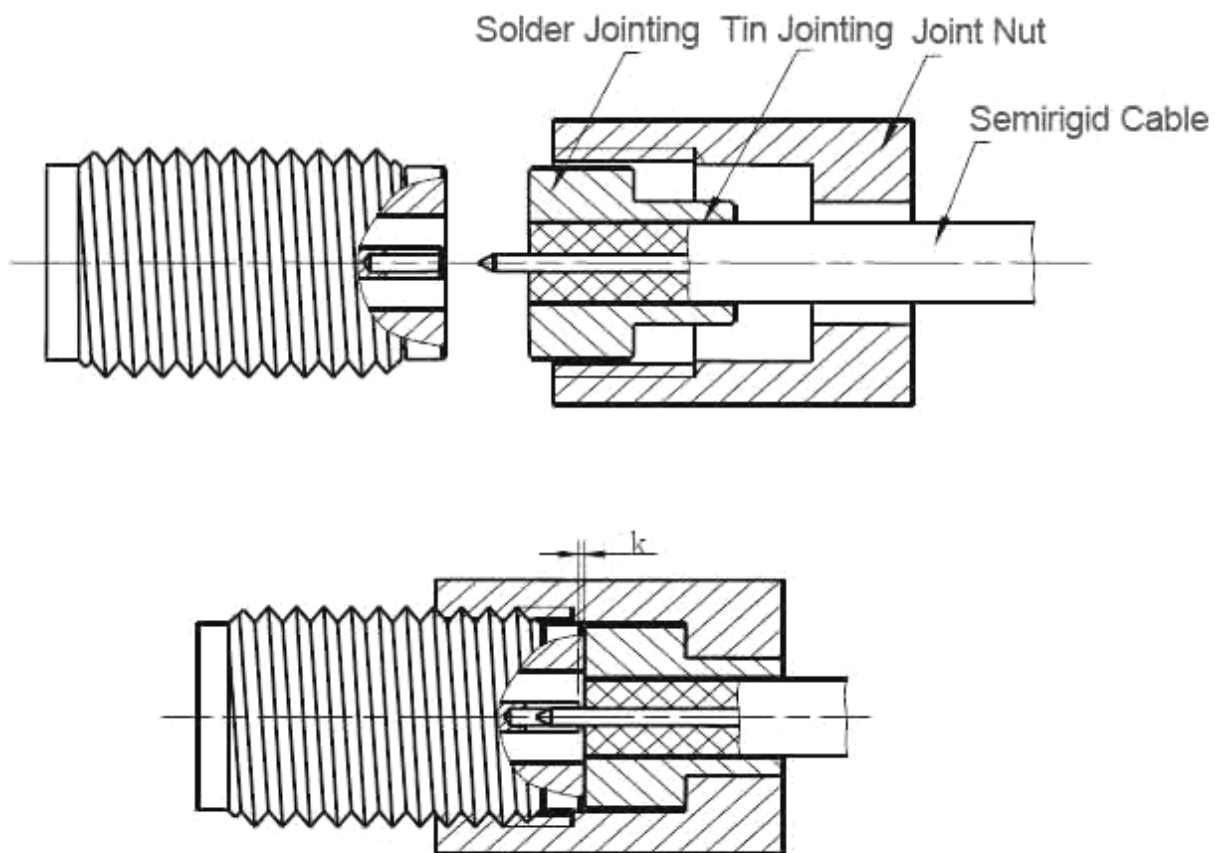
**Connector HPC1010-15(Back to Back Test)
SMA Connector(Female)**

Application Notes

Thread-in connector for cable assembly

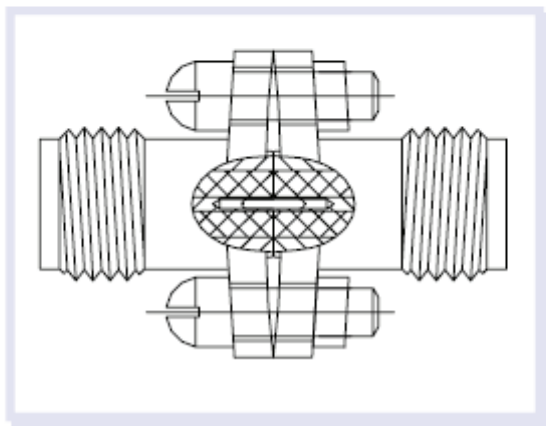
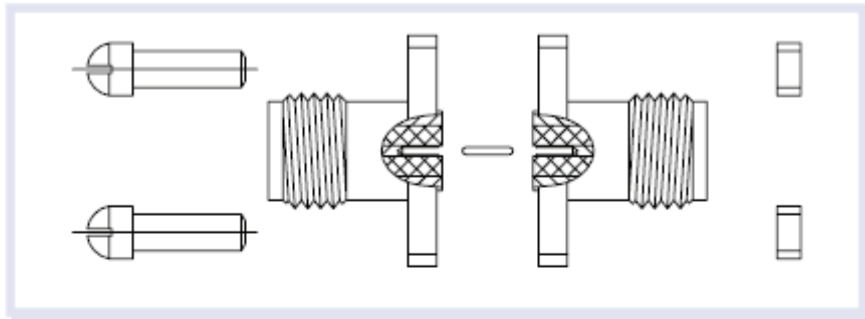
The SMA,2.92mm,2.4mm thread-in connectors offered by A-info can be used not only for microwave devices,but also for cable assemblies.The advantages are:

1. Good accordance by reducing requirement of soldering process;
2. Good compatibility,SMA,2.92mm,2.4mm connectors can be used exchangeable.

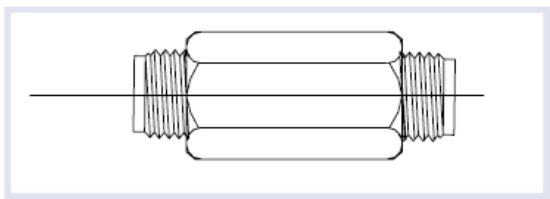
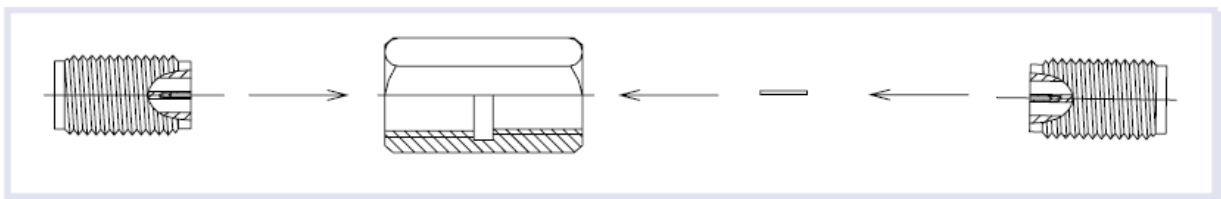


Back to Back Connector Testing Method

1、



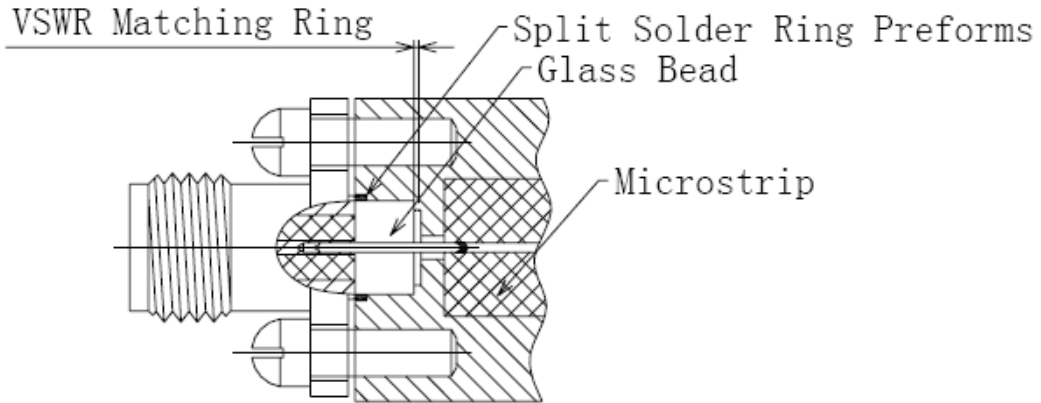
2、



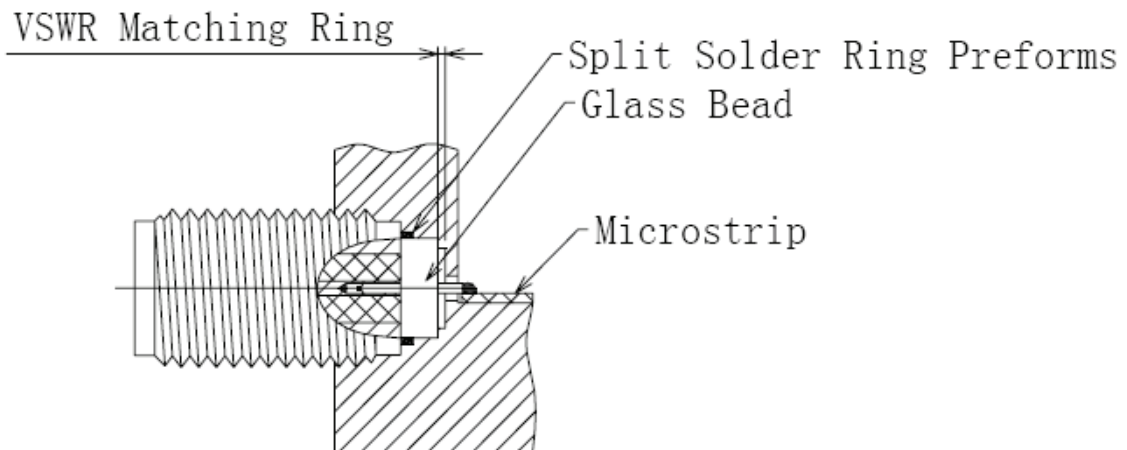
3、 Taking the square root of the peak VSWR will provide the value for a single connector.

Connector Installation Schematic Drawing

1、



2、



Connectors & Adapters Index

SMA Series Field Replaceable Flange Connectors		
P/N	Description	Page No.
HPC1010-12	Female, Four holes, 0.012" PIN	3
HPC1010-15	Female, Four holes, 0.015" PIN	3
HPC1010-18	Female, Four holes, 0.018" PIN	3
HPC1010-20	Female, Four holes, 0.020" PIN	3
HPC1011-12	Female, Four holes, 0.012" PIN	3
HPC1011-15	Female, Four holes, 0.015" PIN	3
HPC1011-18	Female, Four holes, 0.018" PIN	3
HPC1011-20	Female, Four holes, 0.020" PIN	3
HPC1012-12	Female, Four holes, 0.012" PIN	3
HPC1012-15	Female, Four holes, 0.015" PIN	3
HPC1012-18	Female, Four holes, 0.018" PIN	3
HPC1012-20	Female, Four holes, 0.020" PIN	3
HPC1013-12	Female, Two holes, 0.012" PIN	3
HPC1013-15	Female, Two holes, 0.015" PIN	3
HPC1013-18	Female, Two holes, 0.018" PIN	3
HPC1013-20	Female, Two holes, 0.020" PIN	3
HPC1014-12	Female, Two holes, 0.012" PIN	4
HPC1014-15	Female, Two holes, 0.015" PIN	4
HPC1014-18	Female, Two holes, 0.018" PIN	4
HPC1014-20	Female, Two holes, 0.020" PIN	4
HPC1015-12	Male, Two holes, 0.012" PIN	4
HPC1015-15	Male, Two holes, 0.015" PIN	4
HPC1015-18	Male, Two holes, 0.018" PIN	4
HPC1015-20	Male, Two holes, 0.020" PIN	4
HPC1016-12	Female, Two holes, 0.012" PIN	4
HPC1016-15	Female, Two holes, 0.015" PIN	4
HPC1016-18	Female, Two holes, 0.018" PIN	4
HPC1016-20	Female, Two holes, 0.020" PIN	4
HPC1017-12	Male, Four holes, 0.012" PIN	4
HPC1017-15	Male, Four holes, 0.015" PIN	4
HPC1017-18	Male, Four holes, 0.018" PIN	4
HPC1017-20	Male, Four holes, 0.020" PIN	4
HPC1018-12	Male, Four holes, 0.012" PIN	5
HPC1018-15	Male, Four holes, 0.015" PIN	5
HPC1018-18	Male, Four holes, 0.018" PIN	5
HPC1018-20	Male, Four holes, 0.020" PIN	5
HPC1019-12	Male, Four holes, 0.012" PIN	5
HPC1019-15	Male, Four holes, 0.015" PIN	5
HPC1019-18	Male, Four holes, 0.018" PIN	5
HPC1019-20	Male, Four holes, 0.020" PIN	5
HPC1020-12	Male, Two holes, 0.012" PIN	5
HPC1020-15	Male, Two holes, 0.015" PIN	5
HPC1020-18	Male, Two holes, 0.018" PIN	5
HPC1020-20	Male, Two holes, 0.020" PIN	5
HPC1021-12	Male, Two holes, 0.012" PIN	5
HPC1021-15	Male, Two holes, 0.015" PIN	5
HPC1021-18	Male, Two holes, 0.018" PIN	5
HPC1021-20	Male, Two holes, 0.020" PIN	5
HPC1022-12	Male, Two holes, 0.012" PIN	6
HPC1022-15	Male, Two holes, 0.015" PIN	6
HPC1022-18	Male, Two holes, 0.018" PIN	6
HPC1022-20	Male, Two holes, 0.020" PIN	6

SMA Series High Power Field Replaceable Flange Connectors		
P/N	Description	Page No.
HPC1110-12	Female, Four holes, 0.012" PIN	7
HPC1110-15	Female, Four holes, 0.015" PIN	7
HPC1110-18	Female, Four holes, 0.018" PIN	7
HPC1110-20	Female, Four holes, 0.020" PIN	7
HPC1111-12	Female, Four holes, 0.012" PIN	7
HPC1111-15	Female, Four holes, 0.015" PIN	7
HPC1111-18	Female, Four holes, 0.018" PIN	7
HPC1111-20	Female, Four holes, 0.020" PIN	7
HPC1112-12	Female, Four holes, 0.012" PIN	7
HPC1112-15	Female, Four holes, 0.015" PIN	7
HPC1112-18	Female, Four holes, 0.018" PIN	7
HPC1112-20	Female, Four holes, 0.020" PIN	7
HPC1113-12	Female, Two holes, 0.012" PIN	7
HPC1113-15	Female, Two holes, 0.015" PIN	7
HPC1113-18	Female, Two holes, 0.018" PIN	7
HPC1113-20	Female, Two holes, 0.020" PIN	7

HPC1114-12	Female, Two holes, 0.012" PIN	8
HPC1114-15	Female, Two holes, 0.015" PIN	8
HPC1114-18	Female, Two holes, 0.018" PIN	8
HPC1114-20	Female, Two holes, 0.020" PIN	8
HPC1115-12	Male, Two holes, 0.012" PIN	8
HPC1115-15	Male, Two holes, 0.015" PIN	8
HPC1115-18	Male, Two holes, 0.018" PIN	8
HPC1115-20	Male, Two holes, 0.020" PIN	8
HPC1116-12	Female, Two holes, 0.012" PIN	8
HPC1116-15	Female, Two holes, 0.015" PIN	8
HPC1116-18	Female, Two holes, 0.018" PIN	8
HPC1116-20	Female, Two holes, 0.020" PIN	8
HPC1117-12	Male, Four holes, 0.012" PIN	8
HPC1117-15	Male, Four holes, 0.015" PIN	8
HPC1117-18	Male, Four holes, 0.018" PIN	8
HPC1117-20	Male, Four holes, 0.020" PIN	8
HPC1118-12	Male, Four holes, 0.012" PIN	9
HPC1118-15	Male, Four holes, 0.015" PIN	9
HPC1118-18	Male, Four holes, 0.018" PIN	9
HPC1118-20	Male, Four holes, 0.020" PIN	9
HPC1119-12	Male, Four holes, 0.012" PIN	9
HPC1119-15	Male, Four holes, 0.015" PIN	9
HPC1119-18	Male, Four holes, 0.018" PIN	9
HPC1119-20	Male, Four holes, 0.020" PIN	9
HPC1120-12	Male, Two holes, 0.012" PIN	9
HPC1120-15	Male, Two holes, 0.015" PIN	9
HPC1120-18	Male, Two holes, 0.018" PIN	9
HPC1120-20	Male, Two holes, 0.020" PIN	9
HPC1121-12	Male, Two holes, 0.012" PIN	9
HPC1121-15	Male, Two holes, 0.015" PIN	9
HPC1121-18	Male, Two holes, 0.018" PIN	9
HPC1121-20	Male, Two holes, 0.020" PIN	9
HPC1122-12	Male, Two holes, 0.012" PIN	10
HPC1122-15	Male, Two holes, 0.015" PIN	10
HPC1122-18	Male, Two holes, 0.018" PIN	10
HPC1122-20	Male, Two holes, 0.020" PIN	10

SMA Series Remove Screw Thread Connector		
P/N	Description	Page No.
HPC1310-12	0.012" PIN	11
HPC1310-15	0.015" PIN	11
HPC1310-18	0.018" PIN	11
HPC1310-20	0.020" PIN	11
HPC1311-12	0.012" PIN	11
HPC1311-15	0.015" PIN	11
HPC1311-18	0.018" PIN	11
HPC1311-20	0.020" PIN	11

SMA Series Bulkhead Flange Connectors		
P/N	Description	Page No.
HPC1410-01	Female, Four holes, 0.031" PIN	12
HPC1410-02	Female, Four holes, 0.031" PIN	12
HPC1410-03	Female, Four holes, 0.031" PIN	12
HPC1411-01	Female, Two holes, 0.031" PIN	12
HPC1411-02	Female, Two holes, 0.031" PIN	12
HPC1411-03	Female, Two holes, 0.031" PIN	12
HPC1411-04	Female, Two holes, 0.031" PIN	12
HPC1412-01	Female, Four holes, 0.015" PIN	12
HPC1412-02	Female, Four holes, 0.015" PIN	12
HPC1412-03	Female, Four holes, 0.015" PIN	12
HPC1413-01	Female, Two holes, 0.015" PIN	12
HPC1413-02	Female, Two holes, 0.015" PIN	12
HPC1413-03	Female, Two holes, 0.015" PIN	12
HPC1413-04	Female, Two holes, 0.015" PIN	12
HPC1414-01	Female, Four holes, 0.039" Strip.	13
HPC1414-02	Female, Four holes, 0.039" Strip.	13
HPC1414-03	Female, Four holes, 0.039" Strip.	13
HPC1415-01	Female, Two holes, 0.039" Strip.	13
HPC1415-02	Female, Two holes, 0.039" Strip.	13
HPC1415-03	Female, Two holes, 0.039" Strip.	13
HPC1415-04	Female, Two holes, 0.039" Strip.	13
HPC1416-01	Female, Four holes, 0.039" Strip.	13

HPC1416-02	Female, Four holes, 0.039" Strip.	13
HPC1416-03	Female, Four holes, 0.039" Strip.	13
HPC1417-01	Female, Two holes, 0.039" Strip.	13
HPC1417-02	Female, Two holes, 0.039" Strip.	13
HPC1417-03	Female, Two holes, 0.039" Strip.	13
HPC1417-04	Female, Two holes, 0.039" Strip.	13

SMA Series PCB Connectors		
P/N	Description	Page No.
HPC1510-01	Female,W55DO-H01	14
HPC1511-01	Female,W55DO-H02	14

SMA Series Bulkhead Thread-in Connectors		
P/N	Description	Page No.
HPC1610-01	Female,Customization	15

2.92mm Series Field Replaceable Flange Connectors		
P/N	Description	Page No.
HPC3110-12	Female, Four holes, 0.012" PIN	17
HPC3110-15	Female, Four holes, 0.015" PIN	17
HPC3110-18	Female, Four holes, 0.018" PIN	17
HPC3110-20	Female, Four holes, 0.020" PIN	17
HPC3111-12	Female, Four holes, 0.012" PIN	17
HPC3111-15	Female, Four holes, 0.015" PIN	17
HPC3111-18	Female, Four holes, 0.018" PIN	17
HPC3111-20	Female, Four holes, 0.020" PIN	17
HPC3112-12	Female, Four holes, 0.012" PIN	17
HPC3112-15	Female, Four holes, 0.015" PIN	17
HPC3112-18	Female, Four holes, 0.018" PIN	17
HPC3112-20	Female, Four holes, 0.020" PIN	17
HPC3113-12	Female, Two holes, 0.012" PIN	17
HPC3113-15	Female, Two holes, 0.015" PIN	17
HPC3113-18	Female, Two holes, 0.018" PIN	17
HPC3113-20	Female, Two holes, 0.020" PIN	17
HPC3114-12	Female, Two holes, 0.012" PIN	18
HPC3114-15	Female, Two holes, 0.015" PIN	18
HPC3114-18	Female, Two holes, 0.018" PIN	18
HPC3114-20	Female, Two holes, 0.020" PIN	18
HPC3115-12	Male, Two holes, 0.012" PIN	18
HPC3115-15	Male, Two holes, 0.015" PIN	18
HPC3115-18	Male, Two holes, 0.018" PIN	18
HPC3115-20	Male, Two holes, 0.020" PIN	18
HPC3116-12	Female, Two holes, 0.012" PIN	18
HPC3116-15	Female, Two holes, 0.015" PIN	18
HPC3116-18	Female, Two holes, 0.018" PIN	18
HPC3116-20	Female, Two holes, 0.020" PIN	18
HPC3117-12	Male, Four holes, 0.012" PIN	18
HPC3117-15	Male, Four holes, 0.015" PIN	18
HPC3117-18	Male, Four holes, 0.018" PIN	18
HPC3117-20	Male, Four holes, 0.020" PIN	18
HPC3118-12	Male, Four holes, 0.012" PIN	19
HPC3118-15	Male, Four holes, 0.015" PIN	19
HPC3118-18	Male, Four holes, 0.018" PIN	19
HPC3118-20	Male, Four holes, 0.020" PIN	19
HPC3119-12	Male, Four holes, 0.012" PIN	19
HPC3119-15	Male, Four holes, 0.015" PIN	19
HPC3119-18	Male, Four holes, 0.018" PIN	19
HPC3119-20	Male, Four holes, 0.020" PIN	19
HPC3120-12	Male, Two holes, 0.012" PIN	19
HPC3120-15	Male, Two holes, 0.015" PIN	19
HPC3120-18	Male, Two holes, 0.018" PIN	19
HPC3120-20	Male, Two holes, 0.020" PIN	19
HPC3121-12	Male, Two holes, 0.012" PIN	19
HPC3121-15	Male, Two holes, 0.015" PIN	19
HPC3121-18	Male, Two holes, 0.018" PIN	19
HPC3121-20	Male, Two holes, 0.020" PIN	19
HPC3122-12	Male, Two holes, 0.012" PIN	20
HPC3122-15	Male, Two holes, 0.015" PIN	20
HPC3122-18	Male, Two holes, 0.018" PIN	20
HPC3122-20	Male, Two holes, 0.020" PIN	20

2.92mm Series Field Replaceable Thread-in Connectors		
P/N	Description	Page No.
HPC3210-12	0.012" PIN	21
HPC3210-15	0.015" PIN	21
HPC3210-18	0.018" PIN	21
HPC3210-20	0.020" PIN	21
HPC3211-12	0.012" PIN	21
HPC3211-15	0.015" PIN	21
HPC3211-18	0.018" PIN	21
HPC3211-20	0.020" PIN	21

2.92mm Series Bulkhead Flange Connectors		
P/N	Description	Page No.
HPC3310-01	Male, Four holes, Customization	22
HPC3310-02	Male, Four holes, Customization	22
HPC3310-03	Male, Four holes, Customization	22
HPC3311-01	Male, Two holes, Customization	22
HPC3311-02	Male, Two holes, Customization	22
HPC3311-03	Male, Two holes, Customization	22
HPC3312-01	Female, Four holes, Customization	22
HPC3312-02	Female, Four holes, Customization	22
HPC3312-03	Female, Four holes, Customization	22
HPC3313-01	Female, Two holes, Customization	22
HPC3313-02	Female, Two holes, Customization	22
HPC3313-03	Female, Two holes, Customization	22

2.4mm Series Field Replaceable Flange Connectors		
P/N	Description	Page No.
HPC4110-12	Female, Four holes, 0.012" PIN	24
HPC4110-15	Female, Four holes, 0.015" PIN	24
HPC4110-18	Female, Four holes, 0.018" PIN	24
HPC4110-20	Female, Four holes, 0.020" PIN	24
HPC4111-12	Female, Four holes, 0.012" PIN	24
HPC4111-15	Female, Four holes, 0.015" PIN	24
HPC4111-18	Female, Four holes, 0.018" PIN	24
HPC4111-20	Female, Four holes, 0.020" PIN	24
HPC4112-12	Female, Four holes, 0.012" PIN	24
HPC4112-15	Female, Four holes, 0.015" PIN	24
HPC4112-18	Female, Four holes, 0.018" PIN	24
HPC4112-20	Female, Four holes, 0.020" PIN	24
HPC4113-12	Female, Two holes, 0.012" PIN	24
HPC4113-15	Female, Two holes, 0.015" PIN	24
HPC4113-18	Female, Two holes, 0.018" PIN	24
HPC4113-20	Female, Two holes, 0.020" PIN	24
HPC4114-12	Female, Two holes, 0.012" PIN	25
HPC4114-15	Female, Two holes, 0.015" PIN	25
HPC4114-18	Female, Two holes, 0.018" PIN	25
HPC4114-20	Female, Two holes, 0.020" PIN	25
HPC4115-12	Male, Two holes, 0.012" PIN	25
HPC4115-15	Male, Two holes, 0.015" PIN	25
HPC4115-18	Male, Two holes, 0.018" PIN	25
HPC4115-20	Male, Two holes, 0.020" PIN	25
HPC4116-12	Female, Two holes, 0.012" PIN	25
HPC4116-15	Female, Two holes, 0.015" PIN	25
HPC4116-18	Female, Two holes, 0.018" PIN	25
HPC4116-20	Female, Two holes, 0.020" PIN	25
HPC4117-12	Male, Four holes, 0.012" PIN	25
HPC4117-15	Male, Four holes, 0.015" PIN	25
HPC4117-18	Male, Four holes, 0.018" PIN	25
HPC4117-20	Male, Four holes, 0.020" PIN	25
HPC4118-12	Male, Four holes, 0.012" PIN	26
HPC4118-15	Male, Four holes, 0.015" PIN	26
HPC4118-18	Male, Four holes, 0.018" PIN	26
HPC4118-20	Male, Four holes, 0.020" PIN	26
HPC4119-12	Male, Four holes, 0.012" PIN	26
HPC4119-15	Male, Four holes, 0.015" PIN	26
HPC4119-18	Male, Four holes, 0.018" PIN	26
HPC4119-20	Male, Four holes, 0.020" PIN	26
HPC4120-12	Male, Two holes, 0.012" PIN	26
HPC4120-15	Male, Two holes, 0.015" PIN	26
HPC4120-18	Male, Two holes, 0.018" PIN	26
HPC4120-20	Male, Two holes, 0.020" PIN	26
HPC4121-12	Male, Two holes, 0.012" PIN	26

HPC4121-15	Male, Two holes, 0.015" PIN	26
HPC4121-18	Male, Two holes, 0.018" PIN	26
HPC4121-20	Male, Two holes, 0.020" PIN	26
HPC4122-12	Male, Four holes, 0.012" PIN	27
HPC4122-15	Male, Four holes, 0.015" PIN	27
HPC4122-18	Male, Four holes, 0.018" PIN	27
HPC4122-20	Male, Four holes, 0.020" PIN	27

2.4mm Series Field Replaceable Thread-in Connectors		
P/N	Description	Page No.
HPC4210-12	Female, 0.012" PIN	28
HPC4210-15	Female, 0.015" PIN	28
HPC4210-18	Female, 0.018" PIN	28
HPC4210-20	Female, 0.020" PIN	28

2.4mm Series Bulkhead Flange Connectors		
P/N	Description	Page No.
HPC4310-01	Male, Four holes, Customization	29
HPC4310-02	Male, Four holes, Customization	29
HPC4310-03	Male, Four holes, Customization	29
HPC4311-01	Male, Two holes, Customization	29
HPC4311-02	Male, Two holes, Customization	29
HPC4311-03	Male, Two holes, Customization	29
HPC4312-01	Female, Four holes, Customization	29
HPC4312-02	Female, Four holes, Customization	29
HPC4312-03	Female, Four holes, Customization	29
HPC4313-01	Female, Two holes, Customization	29
HPC4313-02	Female, Two holes, Customization	29
HPC4313-03	Female, Two holes, Customization	29

N Series Field Replaceable Flange Connectors		
P/N	Description	Page No.
HPC5110-18	Female, Four holes, 0.018" PIN	31
HPC5110-20	Female, Four holes, 0.020" PIN	31
HPC5110-36	Female, Four holes, 0.036" PIN	31
HPC5111-18	Female, Four holes, 0.018" PIN	31
HPC5111-20	Female, Four holes, 0.020" PIN	31
HPC5111-36	Female, Four holes, 0.036" PIN	31
HPC5112-18	Female, Four holes, 0.018" PIN	31
HPC5112-20	Female, Four holes, 0.020" PIN	31
HPC5112-36	Female, Four holes, 0.036" PIN	31
HPC5113-18	Male, Four holes, 0.018" PIN	31
HPC5113-20	Male, Four holes, 0.020" PIN	31
HPC5113-36	Male, Four holes, 0.036" PIN	31

N Series Bulkhead Flange Connectors		
P/N	Description	Page No.
HPC5210-01	Female, Four holes, 0.05" PIN	32
HPC5210-02	Female, Four holes, 0.05" PIN	32
HPC5210-03	Female, Four holes, 0.05" PIN	32
HPC5210-04	Female, Four holes, 0.05" PIN	32

SSMA Series Field Replaceable Flange Connectors		
P/N	Description	Page No.
HPC6110-12	Female, Four holes, 0.012" PIN	34
HPC6110-15	Female, Four holes, 0.015" PIN	34
HPC6110-18	Female, Four holes, 0.018" PIN	34
HPC6110-20	Female, Four holes, 0.020" PIN	34
HPC6111-12	Female, Four holes, 0.012" PIN	34
HPC6111-15	Female, Four holes, 0.015" PIN	34
HPC6111-18	Female, Four holes, 0.018" PIN	34
HPC6111-20	Female, Four holes, 0.020" PIN	34
HPC6112-12	Female, Four holes, 0.012" PIN	34
HPC6112-15	Female, Four holes, 0.015" PIN	34
HPC6112-18	Female, Four holes, 0.018" PIN	34
HPC6112-20	Female, Four holes, 0.020" PIN	34
HPC6113-12	Female, Two holes, 0.012" PIN	34
HPC6113-15	Female, Two holes, 0.015" PIN	34
HPC6113-18	Female, Two holes, 0.018" PIN	34
HPC6113-20	Female, Two holes, 0.020" PIN	34
HPC6114-12	Female, Two holes, 0.012" PIN	35
HPC6114-15	Female, Two holes, 0.015" PIN	35
HPC6114-18	Female, Two holes, 0.018" PIN	35
HPC6114-20	Female, Two holes, 0.020" PIN	35

HPC6115-12	Female, Two holes, 0.012" PIN	35
HPC6115-15	Female, Two holes, 0.015" PIN	35
HPC6115-18	Female, Two holes, 0.018" PIN	35
HPC6115-20	Female, Two holes, 0.020" PIN	35
HPC6116-12	Female, Two holes, 0.012" PIN	35
HPC6116-15	Female, Two holes, 0.015" PIN	35
HPC6116-18	Female, Two holes, 0.018" PIN	35
HPC6116-20	Female, Two holes, 0.020" PIN	35

N Type In-Series Adapters		
P/N	Description	Page No.
HPA111-01	N/Female-N/Female	37
HPA111-02	N/Male-N/Female	37
HPA111-03	N/Male-N/Male	37
HPA111-04	N/Female-N/Female(bulkhead)	38
HPA111-05	N/Female-N/Female(Flange)	38

SMA In-Series Adapters		
P/N	Description	Page No.
HPA112-01	SMA/Female-SMA/Female	39
HPA112-02	SMA/Male-SMA/Female	39
HPA112-03	SMA/Male-SMA/Male	39

3.5mm In-Series Adapters		
P/N	Description	Page No.
HPA113-01	3.5mm/Female-3.5mm/Female	40
HPA113-02	3.5mm/Female-3.5mm/Male	40
HPA113-03	3.5mm/Male-3.5mm/Male	40

2.92mm In-Series Adapters		
P/N	Description	Page No.
HPA114-01	2.92mm/Female-2.92mm/Female	41
HPA114-02	2.92mm/Male-2.92mm/Female	41
HPA114-03	2.92mm/Male-2.92mm/Male	41
HPA114-04	2.92mm/Female-2.92mm/Female	41

2.4mm In-Series Adapters		
P/N	Description	Page No.
HPA115-01	2.4mm/Female-2.4mm/Female	42
HPA115-02	2.4mm/Male-2.4mm/Female	42
HPA115-03	2.4mm/Male-2.4mm/Male	42
HPA115-04	2.4mm/Female-2.4mm/Female (Flange)	42

N-3.5mm Between Series Adapters		
P/N	Description	Page No.
HPA121-01	N/Female-3.5mm/Female	43
HPA121-02	N/Male-3.5mm/Female	43
HPA121-03	N/Female-3.5mm/Male	43
HPA121-04	N/Male-3.5mm/Male	43

N-2.92mm Between Series Adapters		
P/N	Description	Page No.
HPA122-01	N/Female-2.92mm/Female	44
HPA122-02	N/Male-2.92mm/Female	44
HPA122-03	N/Female-2.92mm/Male	44
HPA122-04	N/Male-2.92mm/Male	44

N-2.4mm Between Series Adapters		
P/N	Description	Page No.
HPA123-01	N/Female-2.4mm/Female	45
HPA123-02	N/Male-2.4mm/Female	45
HPA123-03	N/Female-2.4mm/Male	45
HPA123-04	N/Male-2.4mm/Male	45

N-TNC Between Series Adapters		
P/N	Description	Page No.
HPA124-01	N/Female-TNC/Female	46
HPA124-02	N/Male-TNC/Female	46
HPA124-03	N/Female-TNC/Male	46
HPA124-04	N/Male-TNC/Male	46

N-SMA Between Series Adapters		
P/N	Description	Page No.
HPA125-01	N/Female-SMA/Female	47
HPA125-02	N/Male-SMA/Female	47
HPA125-03	N/Female-SMA/Male	47
HPA125-04	N/Male-SMA/Male	48
HPA125-05	N/Female-SMA/Female (Flange)	48

3.5mm-2.92mm Between Series Adapters		
P/N	Description	Page No.
HPA131-01	3.5mm/Female-2.92mm/Female	49
HPA131-02	3.5mm/Male-2.92mm/Female	49
HPA131-03	3.5mm/Female-2.92mm/Male	49
HPA131-04	3.5mm/Male-2.92mm/Male	50
HPA131-05	3.5mm/Female-2.92mm/Female (Flange)	50

3.5mm-2.4mm Between Series Adapters		
P/N	Description	Page No.
HPA132-01	3.5mm/Female-2.4mm/Female	51
HPA132-02	3.5mm/Male-2.4mm/Female	51
HPA132-03	3.5mm/Female-2.4mm/Male	51
HPA132-04	3.5mm/Male-2.4mm/Male	51

2.92mm-2.4mm Between Series Adapters		
P/N	Description	Page No.
HPA151-01	2.92mm/Female-2.4mm/Female	52
HPA151-02	2.92mm/Male-2.4mm/Female	52
HPA151-03	2.92mm/Female-2.4mm/Male	52
HPA151-04	2.92mm/Male-2.4mm/Male	52

2.92mm-SMA Between Series Adapters		
P/N	Description	Page No.
HPA152-01	2.92mm/Female-SMA/Female	53
HPA152-02	2.92mm/Male-SMA/Female	53
HPA152-03	2.92mm/Female-SMA/Male	53
HPA152-04	2.92mm/Male-SMA/Male	53

2.4mm-SMA Between Series Adapters		
P/N	Description	Page No.
HPA161-01	2.4mm/Female-SMA/Female	54
HPA161-02	2.4mm/Male-SMA/Female	54
HPA161-03	2.4mm/Female-SMA/Male	54
HPA161-04	2.4mm/Male-SMA/Male	54

TNC-SMA Between Series Adapters		
P/N	Description	Page No.
HPA171-01	TNC/Female-SMA/Female	55
HPA171-02	TNC/Male-SMA/Female	55
HPA171-03	TNC/Female-SMA/Male	55
HPA171-04	TNC/Male-SMA/Male	55

7mm Series Adapters		
P/N	Description	Page No.
HPA181-01	7mm-3.5mm/Female	56
HPA181-02	7mm-3.5mm/Male	56
HPA181-03	7mm-N/Female	56
HPA181-04	7mm-N/Male	56

Quick Replacement Adapters		
P/N	Description	Page No.
HPA191-01	N/Male-N/Female	57
HPA191-02	SMA/Male(Φ 0.35")-SMA/Female	57
HPA191-03	SMA/Male(Φ 0.43")-SMA/Female	57

ChengDu Ainfo Inc.

Contact us

Address: Suite# 10-2-301, #1 TongZiLin East Road,
Chengdu, China, Post Code: 610041

Tel: +86-28-8816-3497, +86-28-8519-2786

Fax: +86-28-8519-3068

Website: www.ainfoinc.com

Email: sales@ainfoinc.com