

Low Current, Wideband

Monolithic Amplifier

EHC-24L+

50Ω DC to 20 GHz

The Big Deal

- Super Wideband, DC to 20 GHz
- Excellent Gain Flatness(± 1.1 dB up to 10 GHz)
- Low Current, 19.1 mA



CASE STYLE: AF320

Product Overview

The EHC-24L+ is a low current, wideband gain block that operates up to 20 GHz fabricated using highly reliable HBT process. This Darlington pair amplifier delivers excellent gain flatness, good return loss, low current with acceptable P1dB and OIP3 across a wide bandwidth without the need of external matching network. It has highly repeatable performance from lot to lot and it is enclosed in a 4-lead ceramic package.

Key Features

Feature	Advantages
Super Wideband: DC to 20 GHz	General purpose wideband amplifier is suitable for various applications.
Low Current, 19.1mA	Low current consumption is ideal for use in amplifier chain.
Excellent gain flatness +/- 1.1dB up to 10GHz +/- 2.7dB up to 20GHz	As a desirable characteristic of a wideband amplifier, excellent gain flatness allows amplification of a signal without changing the waveform in time domain.
No external matching component required	EHC-24L+ provides typical input & output return loss of 15 dB up to 20 GHz without the need for any external matching components.



Low Current, Wideband

Monolithic Amplifier

DC-20 GHz

Product Features

- Super Wideband, DC to 20 GHz
- Low Current, 19.1mA
- Excellent Gain Flatness
(± 1.1 dB up to 10 GHz)
(± 2.7 dB up to 20 GHz)
- Good Input & Output Return Loss (>15 dB typ. up to 20 GHz)
- Repeatable performance (HBT Process)

Typical Applications

- Instrumentation
- Cable Infrastructure
- 5G



Generic photo used for illustration purposes only

EHC-24L+

CASE STYLE: AF320

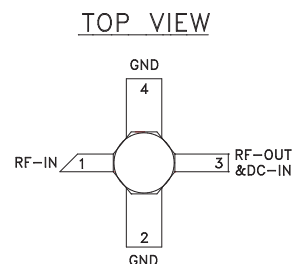
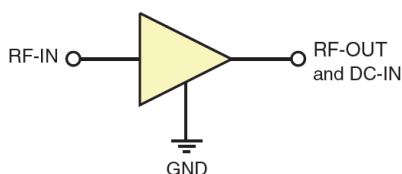
+RoHS Compliant

The +Suffix identifies RoHS Compliance. See our web site for RoHS Compliance methodologies and qualifications

General Description

The EHC-24L+ is a low current, wideband gain block that operates up to 20 GHz fabricated using highly reliable HBT process. This Darlington pair amplifier delivers excellent gain flatness, good return loss, low current with acceptable P1dB and OIP3 across a wide bandwidth without the need of external matching network. It has highly repeatable performance from lot to lot and it is enclosed in a 4-lead ceramic package.

simplified schematic & pad description



Function	Pad Number	Description
RF-IN	1	RF input
RF-OUT & DC-IN	3	RF output and DC input
GND	2,4	Ground

Electrical Specifications at 25°C, Vs=5V, R=50Ω unless noted

Parameter	Condition (MHz)	Vs=5V ¹			Units
		Min.	Typ.	Max.	
Frequency range ⁵		0.01		20	GHz
Gain	10	—	15.5	—	dB
	5000	—	14.1	—	
	8000	11.9	13.4	14.7	
	12000	—	12.8	—	
	15000	—	12.5	—	
	20000	—	10.2	—	
Input return loss	10		18		dB
	5000		14		
	8000		15		
	12000		10		
	15000		15		
	20000		11		
Output return loss	10		15		dB
	5000		14		
	8000		16		
	12000		11		
	15000		16		
	20000		11		
Reverse isolation	10000		21		dB
Output power @ 1dB compression	10		7.0		dBm
	5000		5.5		
	8000		6.8		
	12000		4.4		
	15000		2.6		
	20000		-0.6		
Output IP ₃ ²	10		19.2		dBm
	5000		17.0		
	8000		16.6		
	12000		12.8		
	15000		11.3		
	20000		9.6		
Noise figure	10		5.2		dB
	5000		5.2		
	8000		5.1		
	12000		5.3		
	15000		5.2		
	20000		5.7		
DC Supply (Vs)		4.75	5	5.25	V
Device operating current			19.1	24	mA
Device current variation vs. temperature ³			60		μA/°C
Device current variation vs voltage ⁴			0.0188		mA/mV
Thermal Resistance, junction-to-ground lead at 85°C stage temp.			349		°C/W

1. Measured on Mini-Circuits Characterization test board TB-EHC-24L+. See Characterization Test Circuit (Fig. 1)

2. Tested at P_{out}=-5dBm / tone.

3. (Current at 85°C — Current at -45°C)/130

4. (Current at 5.25V-current - Current at 4.75V)/1000

5. Low frequency cut-off determined by external coupling capacitors & RF choke.

Absolute Maximum Ratings⁶

Parameter	Ratings
Operating Temperature (ground lead)	-40°C to 85°C
Storage Temperature	-55°C to 100°C
Junction Temperature	150°C
Power Dissipation	0.2W
Input Power (CW)	+22 dBm (5 minutes max.) +8 dBm (continuous)
Vs Supply voltage (Pin 3)	6V

6. Permanent damage may occur if any of these limits are exceeded.

Electrical maximum ratings are not intended for continuous normal operation.



Characterization Test Circuit

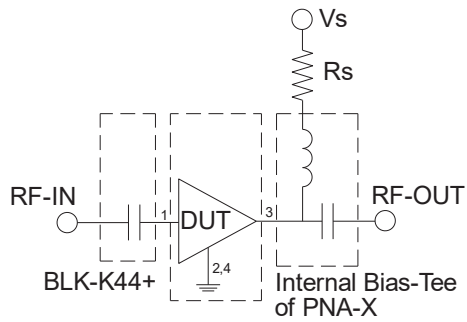


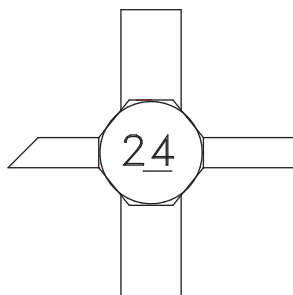
Fig 1. Characterization Circuit

Note: This block diagram is used for characterization. (DUT soldered on Mini-Circuits Characterization test board TB-EHC-24L+) Gain, Return loss, Output power at 1dB compression (P1 dB), output IP3 (OIP3) and noise figure measured using Agilent’s N5242A PNA- X microwave network analyzer. RS=49.9 ohms, Vs = 5V

Conditions:

1. Gain and Return loss: Pin= -25dBm
2. Output IP3 (OIP3): Two tones, spaced 1 MHz apart, -5 dBm/tone at output.

Product Marking

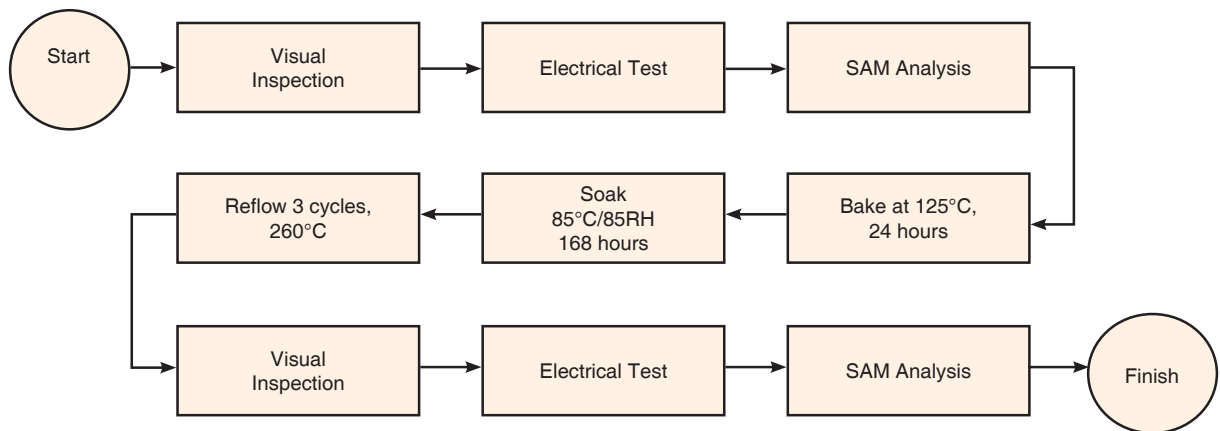


Additional Detailed Technical Information	
<i>additional information is available on our dash board. To access this information click here</i>	
Performance Data	Data Table
	Swept Graphs
	S-Parameter (S2P Files) Data Set (.zip file)
Case Style	AF320 Ceramic Package
Tape & Reel Standard quantities available on reel	F26 7" reels 1K devices
Suggested Layout for PCB Design	PL-597
Evaluation Board	TB-EHC-24L+
Environmental Ratings	ENV08T1

ESD Rating

Human Body Model (HBM): Class 1A (Pass 250V) in accordance with ANSI/ESD STM 5.1 - 2001

MSL Test Flow Chart



Additional Notes

- A. Performance and quality attributes and conditions not expressly stated in this specification document are intended to be excluded and do not form a part of this specification document.
- B. Electrical specifications and performance data contained in this specification document are based on Mini-Circuit's applicable established test performance criteria and measurement instructions.
- C. The parts covered by this specification document are subject to Mini-Circuits standard limited warranty and terms and conditions (collectively, "Standard Terms"); Purchasers of this part are entitled to the rights and benefits contained therein. For a full statement of the Standard Terms and the exclusive rights and remedies thereunder, please visit Mini-Circuits' website at www.minicircuits.com/MCLStore/terms.jsp

Typical Performance Data

NOTE: Use PDF Bookmarks to view DATA at required conditions

Definitions:

Input Return Loss = -S11 (dB)

Gain(Power Gain) = S21 (dB)

Reverse Isolation = -S12 (dB)

Output Return Loss = -S22 (dB)

TEST CONDITIONS: Vd = 5.00V, Id = 15.89mA @ Temperature = +25°C

FREQ	Gain	Isolation	Input Return Loss	Output Return Loss	Stability		IP-3 Output	1dB Comp. Output	Noise Figure
					K	Measure			
(MHz)	(dB)	(dB)	(dB)	(dB)	K	Measure	(dBm)	(dBm)	(dB)
10	15.43	18.74	18.58	15.46	1.06	0.49	19.17	6.79	5.22
100	15.54	18.83	18.46	15.22	1.06	0.49	18.84	6.58	4.87
150	15.53	18.83	18.47	15.20	1.06	0.49	18.84	6.54	4.88
200	15.52	18.86	18.41	15.17	1.06	0.49	18.86	6.35	4.85
250	15.51	18.83	18.47	15.17	1.06	0.49	19.08	6.51	4.86
300	15.50	18.84	18.42	15.17	1.06	0.49	18.54	5.99	4.80
350	15.49	18.87	18.40	15.21	1.06	0.50	19.16	6.34	4.91
400	15.49	18.88	18.43	15.19	1.07	0.50	19.23	6.43	4.93
450	15.47	18.88	18.44	15.21	1.07	0.50	18.88	6.18	4.95
500	15.46	18.89	18.34	15.19	1.07	0.50	18.37	6.19	4.92
550	15.46	18.91	18.35	15.22	1.07	0.50	18.55	6.22	4.96
600	15.45	18.87	18.27	15.15	1.07	0.50	18.54	6.23	4.87
650	15.44	18.91	18.18	15.15	1.07	0.51	18.35	6.01	4.94
700	15.43	18.89	18.18	15.12	1.07	0.51	18.66	6.22	4.94
750	15.42	18.89	18.14	15.11	1.07	0.51	18.92	6.44	4.91
800	15.41	18.91	18.06	15.14	1.07	0.51	18.92	6.41	4.93
1000	15.36	18.92	17.83	15.01	1.07	0.52	18.65	6.65	4.98
2000	15.09	19.02	16.56	14.60	1.08	0.55	18.80	6.15	5.11
3000	14.76	19.12	15.31	13.90	1.10	0.59	17.94	5.74	5.13
4000	14.46	19.16	15.53	14.91	1.12	0.63	18.86	6.48	5.06
5000	14.17	19.13	15.70	15.11	1.14	0.65	17.85	6.05	5.05
6000	13.77	19.28	13.56	13.82	1.16	0.68	17.36	5.93	5.16
7000	13.46	19.47	12.90	13.07	1.19	0.72	16.99	5.97	5.13
8000	13.38	19.44	15.43	16.36	1.21	0.75	16.44	6.74	5.09
9000	13.39	19.57	16.36	16.62	1.23	0.75	15.49	6.26	5.13
10000	13.33	19.77	14.33	15.34	1.25	0.76	14.66	6.18	5.17
11000	13.10	20.21	11.45	12.60	1.27	0.77	13.86	5.28	5.35
12000	12.84	20.70	9.97	11.19	1.30	0.80	13.05	4.23	5.28
13000	12.85	20.78	12.41	13.21	1.34	0.82	12.22	3.88	5.13
14000	12.76	20.87	14.45	13.91	1.39	0.82	12.04	3.21	5.07
15000	12.41	21.09	13.04	14.27	1.46	0.85	11.15	2.48	5.17
16000	11.93	21.41	12.35	12.69	1.55	0.85	10.89	1.62	5.31
17000	11.31	21.99	10.04	12.58	1.68	0.91	10.95	1.04	5.51
18000	10.50	22.88	8.27	9.73	1.82	0.91	10.35	0.68	5.71
19000	10.00	23.33	8.68	8.34	1.96	0.86	10.69	0.29	5.72
20000	10.14	23.13	10.64	10.28	2.05	0.89	9.42	-0.48	5.78
21000	10.11	22.94	12.03	16.95	2.15	0.98	9.34	-0.97	5.92
22000	8.93	23.66	8.47	12.21	2.28	1.04	9.68	-1.59	6.43
23000	7.93	24.10	7.42	9.15	2.42	1.01	9.30	-1.76	6.55
24000	7.92	23.46	8.49	9.96	2.41	0.99	8.91	-2.27	6.67

Typical Performance Data

Definitions:

Input Return Loss = -S11 (dB)

Gain(Power Gain) = S21 (dB)

Reverse Isolation = -S12 (dB)

Output Return Loss = -S22 (dB)

TEST CONDITIONS: Vd = 4.75V, Id = 11.50mA @ Temperature = +25°C

FREQ	Gain	Isolation	Input Return Loss	Output Return Loss	Stability		IP-3 Output	1dB Comp. Output	Noise Figure
					K	Measure			
(MHz)	(dB)	(dB)	(dB)	(dB)	K	Measure	(dBm)	(dBm)	(dB)
10	14.62	18.56	15.13	13.20	1.08	0.53	14.94	3.05	5.19
100	14.69	18.45	15.22	12.75	1.07	0.50	14.73	2.74	4.81
150	14.69	18.40	15.17	12.75	1.07	0.50	14.74	2.74	4.82
200	14.68	18.44	15.16	12.74	1.07	0.50	14.65	2.53	4.82
250	14.67	18.46	15.21	12.76	1.07	0.51	14.95	2.69	4.82
300	14.66	18.43	15.19	12.75	1.07	0.50	14.42	2.21	4.84
350	14.65	18.44	15.18	12.77	1.07	0.51	14.99	2.53	4.89
400	14.65	18.47	15.21	12.77	1.07	0.51	15.07	2.68	4.91
450	14.64	18.49	15.23	12.81	1.08	0.51	14.73	2.37	4.91
500	14.63	18.49	15.17	12.78	1.08	0.51	14.30	2.41	4.86
550	14.62	18.49	15.19	12.79	1.08	0.52	14.39	2.42	4.84
600	14.61	18.49	15.13	12.76	1.08	0.52	14.41	2.43	4.87
650	14.60	18.48	15.08	12.75	1.08	0.52	14.25	2.25	4.93
700	14.59	18.49	15.10	12.74	1.08	0.52	14.46	2.49	4.89
750	14.58	18.50	15.08	12.73	1.08	0.52	14.73	2.63	4.95
800	14.57	18.50	15.03	12.77	1.08	0.52	14.82	2.62	4.90
1000	14.53	18.52	14.93	12.69	1.08	0.53	14.52	2.86	4.92
2000	14.28	18.62	14.26	12.51	1.09	0.56	14.70	2.39	5.03
3000	13.98	18.76	13.48	12.08	1.11	0.59	14.12	2.04	5.07
4000	13.74	18.77	13.83	13.02	1.13	0.63	15.37	2.80	5.00
5000	13.49	18.75	14.08	13.28	1.15	0.65	14.91	2.50	5.02
6000	13.11	18.91	12.33	12.34	1.17	0.68	15.03	2.55	5.08
7000	12.84	19.12	11.91	11.82	1.20	0.71	15.59	2.72	5.04
8000	12.82	19.04	14.39	14.80	1.22	0.74	17.33	3.77	5.00
9000	12.83	19.18	14.86	15.08	1.24	0.75	17.98	3.78	5.06
10000	12.73	19.45	12.99	13.75	1.26	0.75	18.12	4.45	5.14
11000	12.45	19.92	10.46	11.46	1.28	0.77	16.48	4.26	5.24
12000	12.19	20.44	9.47	10.26	1.32	0.79	15.96	3.38	5.17
13000	12.24	20.48	12.04	12.14	1.37	0.81	14.41	3.56	5.00
14000	12.12	20.67	13.76	12.84	1.44	0.82	13.21	2.88	4.93
15000	11.74	20.94	12.56	12.97	1.51	0.85	12.25	2.26	5.03
16000	11.22	21.31	11.75	11.57	1.61	0.85	11.92	1.52	5.16
17000	10.58	22.00	9.65	11.42	1.76	0.91	11.65	0.97	5.36
18000	9.76	22.82	8.21	8.87	1.91	0.89	11.30	0.82	5.57
19000	9.25	23.39	8.80	7.66	2.08	0.84	11.42	0.30	5.59
20000	9.40	23.20	10.73	9.35	2.18	0.88	9.85	-0.45	5.59
21000	9.36	23.02	11.51	14.61	2.30	0.98	9.82	-0.98	5.67
22000	8.19	23.71	8.18	11.18	2.42	1.04	10.16	-1.50	6.21
23000	7.22	24.35	7.32	8.42	2.62	0.98	9.77	-1.60	6.40
24000	7.25	23.63	8.42	9.06	2.58	0.97	9.25	-2.37	6.40

Typical Performance Data

Definitions:

Input Return Loss = -S11 (dB)

Gain(Power Gain) = S21 (dB)

Reverse Isolation = -S12 (dB)

Output Return Loss = -S22 (dB)

TEST CONDITIONS: Vd = 5.25V, Id = 20.92mA @ Temperature = +25°C

FREQ	Gain	Isolation	Input Return Loss	Output Return Loss	Stability		IP-3 Output	1dB Comp. Output	Noise Figure
					K	Measure			
(MHz)	(dB)	(dB)	(dB)	(dB)	K	Measure	(dBm)	(dBm)	(dB)
10	15.91	19.07	20.95	17.50	1.06	0.49	22.49	9.78	5.29
100	16.02	19.11	21.31	17.12	1.06	0.48	22.27	9.53	4.94
150	16.01	19.06	21.19	17.10	1.06	0.48	22.38	9.46	4.95
200	15.99	19.11	21.22	17.06	1.06	0.48	22.35	9.30	4.97
250	15.99	19.14	21.16	17.11	1.06	0.49	22.56	9.42	4.93
300	15.98	19.10	21.16	17.08	1.06	0.48	22.10	8.93	5.02
350	15.97	19.09	21.12	17.07	1.06	0.48	22.91	9.26	4.97
400	15.95	19.13	21.12	17.06	1.06	0.49	22.87	9.36	5.03
450	15.94	19.17	21.08	17.11	1.06	0.50	22.53	9.11	5.05
500	15.93	19.14	20.94	17.06	1.06	0.49	21.90	9.10	5.01
550	15.93	19.14	20.90	17.08	1.06	0.49	22.01	9.15	5.02
600	15.91	19.14	20.76	17.00	1.06	0.50	22.04	9.15	5.00
650	15.90	19.17	20.62	16.96	1.06	0.50	21.84	8.95	5.08
700	15.89	19.15	20.58	16.91	1.06	0.50	22.20	9.15	5.06
750	15.88	19.16	20.48	16.89	1.06	0.50	22.32	9.38	5.04
800	15.87	19.16	20.32	16.92	1.06	0.50	22.35	9.35	5.02
1000	15.82	19.17	19.82	16.71	1.06	0.51	22.06	9.58	5.06
2000	15.52	19.22	17.55	15.88	1.07	0.55	22.12	9.09	5.15
3000	15.14	19.29	15.73	14.81	1.09	0.59	20.91	8.64	5.22
4000	14.76	19.27	15.51	15.51	1.10	0.63	21.25	9.27	5.16
5000	14.41	19.21	15.45	15.48	1.12	0.65	19.41	8.78	5.16
6000	13.95	19.30	13.25	13.95	1.14	0.69	18.34	8.49	5.25
7000	13.57	19.48	12.50	12.96	1.17	0.72	17.34	8.26	5.22
8000	13.43	19.39	14.75	15.58	1.19	0.75	16.34	8.10	5.22
9000	13.40	19.52	15.66	15.59	1.21	0.75	15.13	7.24	5.23
10000	13.29	19.69	13.79	14.58	1.23	0.75	14.14	6.48	5.38
11000	12.98	20.15	11.10	11.92	1.26	0.77	13.33	5.51	5.48
12000	12.65	20.64	9.75	10.66	1.29	0.80	12.47	4.58	5.45
13000	12.60	20.69	12.11	12.22	1.34	0.82	11.62	4.13	5.30
14000	12.48	20.81	14.16	12.82	1.40	0.82	11.49	3.33	5.21
15000	12.11	21.03	12.89	13.16	1.48	0.85	10.61	2.62	5.36
16000	11.60	21.39	12.23	11.81	1.57	0.85	10.29	1.67	5.56
17000	10.99	22.03	10.03	11.81	1.72	0.90	10.31	1.05	5.76
18000	10.18	22.90	8.33	9.23	1.87	0.90	9.57	0.60	5.97
19000	9.66	23.52	8.76	7.92	2.04	0.85	9.98	0.10	5.98
20000	9.83	23.29	10.81	9.74	2.13	0.88	8.91	-0.56	6.04
21000	9.85	23.06	12.23	15.72	2.23	0.97	8.75	-1.16	6.20
22000	8.71	23.82	8.56	11.74	2.37	1.03	9.01	-1.81	6.92
23000	7.72	24.34	7.48	8.84	2.53	0.99	8.63	-1.94	6.92
24000	7.72	23.74	8.57	9.49	2.51	0.98	8.32	-2.52	6.90

Typical Performance Data

Definitions:

Input Return Loss = -S11 (dB)

Gain(Power Gain) = S21 (dB)

Reverse Isolation = -S12 (dB)

Output Return Loss = -S22 (dB)

TEST CONDITIONS: Vd = 5.00V, Id = 11.94mA @ Temperature = -45°C

FREQ	Gain	Isolation	Input Return Loss	Output Return Loss	Stability		IP-3 Output	1dB Comp. Output	Noise Figure
					K	Measure			
(MHz)	(dB)	(dB)	(dB)	(dB)	K	Measure	(dBm)	(dBm)	(dB)
10	15.11	18.70	16.74	14.13	1.07	0.51	14.90	2.99	4.24
100	15.16	18.65	16.10	13.47	1.06	0.49	14.64	2.74	3.86
150	15.16	18.72	16.07	13.45	1.07	0.49	14.62	2.66	3.89
200	15.16	18.65	16.15	13.55	1.06	0.49	14.56	2.56	3.87
250	15.17	18.67	16.26	13.66	1.07	0.49	14.80	2.67	3.86
300	15.16	18.66	16.25	13.60	1.06	0.49	14.20	2.20	3.79
350	15.15	18.69	16.15	13.52	1.07	0.49	14.83	2.53	3.86
400	15.14	18.69	16.10	13.52	1.07	0.49	14.92	2.63	3.93
450	15.14	18.66	16.21	13.61	1.07	0.49	14.58	2.41	3.94
500	15.14	18.67	16.19	13.65	1.07	0.49	14.20	2.45	3.95
550	15.13	18.68	16.18	13.64	1.07	0.49	14.29	2.45	3.88
600	15.12	18.69	15.98	13.47	1.07	0.49	14.31	2.45	3.87
650	15.11	18.67	15.89	13.40	1.07	0.49	14.13	2.25	3.95
700	15.11	18.67	16.01	13.47	1.07	0.50	14.36	2.45	3.95
750	15.11	18.67	16.20	13.62	1.07	0.50	14.68	2.69	3.92
800	15.11	18.68	16.27	13.77	1.07	0.50	14.77	2.69	3.90
1000	15.06	18.70	15.75	13.34	1.07	0.50	14.49	2.90	3.92
2000	14.89	18.72	15.96	13.86	1.08	0.53	14.74	2.57	3.99
3000	14.55	18.88	14.10	12.48	1.09	0.56	13.93	2.12	4.06
4000	14.32	18.87	14.67	13.80	1.11	0.60	15.24	2.81	3.94
5000	14.14	18.79	16.85	15.39	1.12	0.63	14.74	2.55	3.87
6000	13.69	19.04	11.91	11.58	1.14	0.63	14.67	2.45	4.08
7000	13.48	19.08	13.13	12.55	1.16	0.67	15.32	2.88	3.90
8000	13.59	19.05	17.98	17.75	1.18	0.71	16.57	3.71	3.84
9000	13.49	19.11	14.77	15.41	1.18	0.71	17.23	3.82	3.94
10000	13.49	19.38	15.20	14.10	1.20	0.71	18.69	4.48	3.94
11000	13.55	19.63	13.44	14.58	1.21	0.73	19.31	5.10	4.05
12000	13.04	20.38	8.57	9.47	1.21	0.73	19.06	3.99	4.07
13000	13.37	20.29	12.32	12.57	1.24	0.77	19.03	4.91	3.77
14000	13.38	20.34	14.60	12.42	1.27	0.75	15.99	4.33	3.79
15000	13.11	20.54	12.05	12.91	1.30	0.79	14.62	3.97	3.84
16000	12.91	20.73	15.02	12.67	1.36	0.78	13.92	3.32	3.85
17000	12.33	21.37	10.59	12.57	1.46	0.86	13.10	2.48	4.03
18000	11.54	22.32	7.45	9.19	1.54	0.87	12.90	2.54	4.21
19000	10.80	23.36	7.06	6.50	1.65	0.78	13.49	2.03	4.34
20000	11.20	23.17	10.12	8.69	1.78	0.83	10.91	1.14	4.22
21000	11.52	23.02	12.77	12.17	1.86	0.89	10.24	0.49	4.31
22000	9.68	24.77	5.91	7.87	1.85	1.02	11.00	-0.43	5.15
23000	9.19	25.11	6.20	6.36	2.01	0.89	10.84	-0.07	4.84
24000	10.15	23.61	8.96	12.42	2.05	1.01	9.60	-0.68	4.70

Typical Performance Data

Definitions:

Input Return Loss = -S11 (dB)

Gain(Power Gain) = S21 (dB)

Reverse Isolation = -S12 (dB)

Output Return Loss = -S22 (dB)

TEST CONDITIONS: Vd = 4.75V, Id = 7.68mA @ Temperature = -45°C

FREQ	Gain	Isolation	Input Return Loss	Output Return Loss	Stability		IP-3 Output	1dB Comp. Output	Noise Figure
					K	Measure			
(MHz)	(dB)	(dB)	(dB)	(dB)	K	Measure	(dBm)	(dBm)	(dB)
10	13.28	18.09	11.86	10.43	1.10	0.55	12.23	-3.07	4.23
100	13.27	17.93	11.52	9.86	1.09	0.52	11.81	-3.28	3.96
150	13.27	17.93	11.51	9.84	1.09	0.52	12.02	-3.31	3.96
200	13.28	17.91	11.56	9.90	1.09	0.52	11.93	-3.43	3.92
250	13.29	17.93	11.63	9.98	1.09	0.52	12.27	-3.32	3.89
300	13.27	17.90	11.62	9.93	1.09	0.52	12.51	-3.72	4.00
350	13.27	17.89	11.57	9.89	1.09	0.52	12.57	-3.51	3.98
400	13.27	17.91	11.56	9.89	1.09	0.52	12.45	-3.31	4.03
450	13.27	17.91	11.63	9.96	1.09	0.52	12.36	-3.54	3.97
500	13.27	17.90	11.62	9.98	1.09	0.52	11.83	-3.48	4.00
550	13.26	17.91	11.61	9.97	1.09	0.52	11.76	-3.50	3.92
600	13.25	17.93	11.50	9.87	1.09	0.52	11.76	-3.48	3.96
650	13.23	17.93	11.44	9.83	1.09	0.52	11.76	-3.72	4.04
700	13.24	17.92	11.54	9.88	1.09	0.52	11.72	-3.50	4.06
750	13.25	17.93	11.66	9.98	1.09	0.52	11.66	-3.31	3.97
800	13.25	17.91	11.71	10.08	1.09	0.53	11.89	-3.33	4.01
1000	13.21	17.94	11.45	9.81	1.09	0.52	11.30	-3.16	3.98
2000	13.09	17.97	11.81	10.26	1.11	0.55	11.93	-3.44	4.08
3000	12.79	18.19	10.85	9.53	1.12	0.57	11.77	-3.87	4.10
4000	12.71	18.15	11.52	10.58	1.14	0.61	11.68	-3.27	3.97
5000	12.64	18.02	13.04	11.89	1.15	0.63	11.50	-3.46	3.93
6000	12.17	18.43	9.70	9.18	1.16	0.63	11.54	-3.76	4.09
7000	12.12	18.43	10.98	10.13	1.19	0.66	11.41	-3.28	3.92
8000	12.38	18.28	14.84	14.14	1.20	0.70	11.55	-2.42	3.87
9000	12.28	18.47	12.31	12.45	1.21	0.70	11.83	-2.29	3.94
10000	12.27	18.74	12.68	11.50	1.22	0.70	12.21	-1.53	3.92
11000	12.30	19.09	10.58	12.45	1.24	0.75	13.93	-0.61	4.06
12000	11.78	19.85	7.74	8.09	1.24	0.71	12.73	-1.48	4.03
13000	12.27	19.70	11.75	10.77	1.29	0.74	14.94	0.82	3.73
14000	12.24	19.95	12.24	11.34	1.33	0.76	18.17	1.10	3.73
15000	11.99	20.26	11.48	11.15	1.38	0.78	16.21	1.59	3.82
16000	11.79	20.54	13.18	11.35	1.45	0.79	14.42	1.27	3.73
17000	11.19	21.30	9.78	11.09	1.57	0.87	12.65	1.14	3.97
18000	10.40	22.22	7.49	7.92	1.64	0.84	12.31	0.98	4.12
19000	9.63	23.35	7.07	5.63	1.74	0.74	12.98	0.33	4.22
20000	10.16	23.12	10.62	7.80	1.92	0.80	10.24	0.21	4.13
21000	10.41	23.03	11.49	10.47	1.99	0.89	9.60	-0.13	4.24
22000	8.49	24.80	5.48	6.67	1.93	0.98	10.21	-1.16	5.13
23000	8.13	25.03	6.14	5.44	2.09	0.83	9.94	-1.01	4.82
24000	9.22	23.65	8.77	10.32	2.19	0.98	8.99	-1.45	4.57

Typical Performance Data

Definitions:

Input Return Loss = -S11 (dB)

Gain(Power Gain) = S21 (dB)

Reverse Isolation = -S12 (dB)

Output Return Loss = -S22 (dB)

TEST CONDITIONS: Vd = 5.25V, Id = 16.17mA @ Temperature = -45°C

FREQ	Gain	Isolation	Input Return Loss	Output Return Loss	Stability		IP-3 Output	1dB Comp. Output	Noise Figure
					K	Measure			
(MHz)	(dB)	(dB)	(dB)	(dB)	K	Measure	(dBm)	(dBm)	(dB)
10	15.78	18.99	19.63	16.22	1.06	0.49	19.08	6.86	4.33
100	15.89	19.03	19.28	15.81	1.06	0.48	19.03	6.58	3.90
150	15.88	19.02	19.21	15.78	1.06	0.47	19.08	6.52	3.91
200	15.88	19.03	19.35	15.88	1.06	0.48	19.07	6.39	3.91
250	15.88	19.04	19.54	16.02	1.06	0.48	19.24	6.51	3.89
300	15.87	19.04	19.46	15.93	1.06	0.48	18.66	6.00	3.98
350	15.86	19.04	19.27	15.83	1.06	0.48	19.40	6.34	3.95
400	15.86	19.02	19.24	15.78	1.06	0.48	19.47	6.46	3.96
450	15.85	19.03	19.42	15.95	1.06	0.48	19.11	6.22	3.97
500	15.85	19.04	19.40	16.01	1.06	0.48	18.64	6.25	3.96
550	15.84	19.04	19.33	15.97	1.06	0.48	18.80	6.25	3.96
600	15.83	19.04	18.99	15.74	1.06	0.48	18.81	6.25	3.96
650	15.82	19.04	18.86	15.65	1.06	0.48	18.64	6.05	4.00
700	15.82	19.03	19.05	15.73	1.06	0.48	18.93	6.26	3.98
750	15.82	19.04	19.33	15.94	1.06	0.49	19.24	6.50	3.91
800	15.81	19.04	19.42	16.12	1.06	0.49	19.30	6.50	3.93
1000	15.77	19.04	18.57	15.54	1.06	0.49	18.96	6.71	3.95
2000	15.57	19.09	18.53	16.08	1.07	0.52	19.35	6.34	4.05
3000	15.23	19.22	16.02	14.20	1.08	0.55	18.49	5.85	4.13
4000	14.96	19.24	16.49	15.72	1.10	0.60	19.82	6.54	4.00
5000	14.72	19.16	18.99	17.57	1.12	0.63	19.16	6.25	3.97
6000	14.31	19.37	13.17	12.86	1.13	0.63	18.85	6.05	4.14
7000	14.04	19.48	14.30	13.85	1.15	0.68	19.28	6.38	3.98
8000	14.12	19.42	19.36	20.10	1.17	0.71	18.99	7.15	3.95
9000	14.00	19.59	16.19	17.16	1.18	0.72	18.41	7.03	3.98
10000	14.05	19.78	16.54	15.98	1.19	0.72	17.68	7.50	3.98
11000	14.15	20.01	15.76	16.19	1.20	0.73	16.51	7.26	4.14
12000	13.72	20.67	9.04	10.47	1.20	0.75	16.01	6.06	4.15
13000	14.00	20.62	12.40	14.09	1.22	0.78	14.98	6.08	3.87
14000	14.10	20.58	15.83	13.64	1.23	0.75	14.20	5.20	3.88
15000	13.85	20.75	12.10	14.67	1.25	0.80	13.20	4.60	3.91
16000	13.70	20.84	15.68	14.19	1.30	0.78	12.67	3.79	3.92
17000	13.20	21.34	11.10	14.23	1.37	0.85	12.48	2.92	4.15
18000	12.43	22.31	7.39	10.21	1.45	0.88	12.09	2.71	4.36
19000	11.76	23.25	6.93	7.17	1.54	0.80	12.55	2.31	4.48
20000	12.13	23.09	9.58	9.66	1.64	0.86	10.65	1.39	4.34
21000	12.52	22.86	13.47	13.97	1.70	0.88	9.94	0.55	4.53
22000	10.70	24.59	6.14	8.43	1.67	1.04	10.81	-0.36	5.47
23000	10.20	24.88	6.13	6.97	1.82	0.93	10.59	0.01	4.97
24000	11.10	23.42	8.92	13.84	1.84	1.03	9.59	-0.72	4.99

Typical Performance Data

Definitions:

Input Return Loss = -S11 (dB)

Gain(Power Gain) = S21 (dB)

Reverse Isolation = -S12 (dB)

Output Return Loss = -S22 (dB)

TEST CONDITIONS: Vd = 5.00V, Id = 19.80mA @ Temperature = +85°C

FREQ	Gain	Isolation	Input Return Loss	Output Return Loss	Stability		IP-3 Output	1dB Comp. Output	Noise Figure
					K	Measure			
(MHz)	(dB)	(dB)	(dB)	(dB)	K	Measure	(dBm)	(dBm)	(dB)
10	15.59	18.76	19.32	16.43	1.06	0.48	21.45	9.39	5.90
100	15.70	18.90	20.19	16.30	1.06	0.49	21.44	9.03	5.70
150	15.69	18.96	20.18	16.40	1.06	0.50	21.56	8.98	5.71
200	15.66	18.95	19.96	16.25	1.06	0.50	21.60	8.77	5.70
250	15.65	18.89	19.80	16.15	1.06	0.49	21.77	8.93	5.70
300	15.64	18.95	19.73	16.10	1.06	0.50	21.29	8.42	5.76
350	15.63	18.98	19.72	16.17	1.07	0.50	22.00	8.75	5.75
400	15.62	18.97	19.75	16.18	1.07	0.50	22.08	8.88	5.80
450	15.60	18.94	19.69	16.16	1.06	0.50	21.73	8.62	5.78
500	15.59	18.99	19.49	16.09	1.07	0.51	21.10	8.59	5.84
550	15.58	18.98	19.45	16.09	1.07	0.51	21.19	8.61	5.80
600	15.57	18.99	19.33	16.04	1.07	0.51	21.23	8.62	5.79
650	15.55	18.99	19.22	16.02	1.07	0.51	21.01	8.45	5.80
700	15.54	19.00	19.12	15.94	1.07	0.51	21.35	8.64	5.83
750	15.52	19.02	18.92	15.83	1.07	0.52	21.55	8.85	5.88
800	15.51	19.00	18.68	15.81	1.07	0.52	21.64	8.81	5.80
1000	15.45	19.02	18.42	15.83	1.07	0.53	21.28	9.06	5.88
2000	15.10	19.07	16.06	14.74	1.08	0.57	21.51	8.52	5.97
3000	14.68	19.09	14.72	13.98	1.09	0.60	20.52	8.13	6.04
4000	14.22	19.09	13.68	14.35	1.11	0.66	20.69	8.69	6.01
5000	13.77	19.01	13.29	13.65	1.13	0.67	18.61	8.07	5.98
6000	13.27	19.09	12.47	12.96	1.16	0.71	17.44	7.77	6.11
7000	12.74	19.27	10.93	11.87	1.19	0.75	16.06	7.17	6.15
8000	12.59	19.24	13.22	13.57	1.23	0.77	14.93	6.66	6.12
9000	12.40	19.27	14.39	13.57	1.26	0.77	13.69	5.67	6.22
10000	12.11	19.62	11.76	13.33	1.31	0.80	12.83	4.90	6.35
11000	11.53	20.13	9.78	9.96	1.36	0.79	12.05	3.71	6.44
12000	11.16	20.63	9.99	10.39	1.47	0.83	11.33	2.96	6.47
13000	10.91	20.85	12.13	11.05	1.56	0.85	10.62	2.47	6.35
14000	10.66	20.96	14.12	11.75	1.66	0.85	10.64	1.66	6.30
15000	10.12	21.33	12.32	12.06	1.80	0.89	9.89	1.10	6.54
16000	9.51	21.79	12.21	10.83	1.97	0.88	9.66	0.31	6.67
17000	8.74	22.41	9.75	11.22	2.18	0.94	9.79	-0.16	6.99
18000	7.91	23.16	9.44	8.67	2.42	0.89	8.96	-0.59	7.18
19000	7.62	23.33	11.78	8.02	2.58	0.84	9.38	-1.03	7.12
20000	7.51	23.16	10.78	11.33	2.72	0.96	8.67	-1.41	7.41
21000	7.25	22.98	12.55	14.92	2.89	0.99	8.47	-1.98	7.59
22000	6.29	23.32	11.23	10.70	3.09	0.96	8.63	-2.40	8.01
23000	5.33	23.81	7.63	10.32	3.23	1.05	8.32	-2.42	8.50
24000	5.01	23.56	9.52	9.39	3.36	0.97	7.93	-3.24	8.51

Typical Performance Data

Definitions:

Input Return Loss = -S11 (dB)

Gain(Power Gain) = S21 (dB)

Reverse Isolation = -S12 (dB)

Output Return Loss = -S22 (dB)

TEST CONDITIONS: Vd = 4.75V, Id = 14.79mA @ Temperature = +85°C

FREQ	Gain	Isolation	Input Return Loss	Output Return Loss	Stability		IP-3 Output	1dB Comp. Output	Noise Figure
					K	Measure			
(MHz)	(dB)	(dB)	(dB)	(dB)	K	Measure	(dBm)	(dBm)	(dB)
10	15.01	18.62	16.78	14.38	1.07	0.51	18.36	6.16	5.83
100	15.10	18.61	17.15	14.21	1.07	0.50	18.09	5.90	5.60
150	15.09	18.59	17.24	14.29	1.07	0.50	18.11	5.86	5.62
200	15.07	18.64	17.08	14.18	1.07	0.50	18.08	5.67	5.59
250	15.06	18.67	16.99	14.12	1.07	0.51	18.41	5.81	5.63
300	15.05	18.65	16.94	14.06	1.07	0.51	17.74	5.33	5.65
350	15.03	18.64	16.95	14.13	1.07	0.51	18.48	5.67	5.63
400	15.03	18.66	17.01	14.15	1.07	0.51	18.60	5.76	5.72
450	15.02	18.67	16.99	14.17	1.07	0.51	18.13	5.51	5.69
500	15.00	18.69	16.86	14.11	1.07	0.52	17.61	5.52	5.67
550	14.99	18.67	16.87	14.12	1.07	0.52	17.78	5.53	5.73
600	14.98	18.68	16.80	14.08	1.07	0.52	17.78	5.54	5.68
650	14.97	18.69	16.74	14.09	1.08	0.52	17.57	5.33	5.70
700	14.95	18.72	16.69	14.03	1.08	0.52	17.82	5.54	5.72
750	14.94	18.68	16.57	13.96	1.08	0.52	18.01	5.73	5.73
800	14.92	18.72	16.46	13.95	1.08	0.53	18.15	5.69	5.76
1000	14.88	18.74	16.44	14.01	1.08	0.53	17.80	5.91	5.75
2000	14.58	18.85	15.20	13.48	1.09	0.57	17.85	5.39	5.86
3000	14.25	18.92	14.41	13.19	1.11	0.60	17.09	5.09	5.94
4000	13.91	18.97	13.85	13.87	1.13	0.65	17.98	5.71	5.90
5000	13.55	18.97	13.66	13.48	1.15	0.67	16.82	5.23	5.91
6000	13.16	19.09	12.86	13.23	1.18	0.71	16.38	5.18	6.02
7000	12.74	19.31	11.31	12.14	1.21	0.74	15.74	5.12	6.01
8000	12.67	19.29	13.74	14.41	1.24	0.77	15.10	5.65	5.94
9000	12.56	19.34	14.88	14.74	1.27	0.77	14.05	4.87	6.04
10000	12.34	19.73	12.12	14.28	1.31	0.80	13.38	4.61	6.16
11000	11.88	20.17	9.89	10.56	1.34	0.79	12.60	3.61	6.25
12000	11.57	20.63	10.10	11.08	1.43	0.83	11.88	2.70	6.25
13000	11.37	20.79	12.15	11.93	1.51	0.85	11.19	2.36	6.12
14000	11.13	21.00	14.12	12.69	1.61	0.86	11.15	1.71	6.06
15000	10.59	21.28	12.26	12.96	1.73	0.89	10.45	1.07	6.24
16000	9.97	21.67	12.10	11.57	1.87	0.89	10.26	0.35	6.33
17000	9.18	22.29	9.64	11.87	2.07	0.95	10.40	-0.07	6.62
18000	8.33	22.97	9.27	9.09	2.29	0.90	9.73	-0.37	6.88
19000	8.04	23.02	11.53	8.45	2.43	0.85	10.04	-0.81	6.76
20000	7.87	23.01	10.58	11.97	2.59	0.97	9.20	-1.33	6.99
21000	7.56	22.81	12.33	15.88	2.75	1.00	9.07	-1.81	7.20
22000	6.58	23.17	11.14	11.29	2.98	0.97	9.30	-2.18	7.43
23000	5.58	23.60	7.53	10.79	3.08	1.06	8.93	-2.19	7.95
24000	5.23	23.37	9.41	9.80	3.24	0.99	8.47	-3.01	7.92

Typical Performance Data

Definitions:

Input Return Loss = -S11 (dB)

Gain(Power Gain) = S21 (dB)

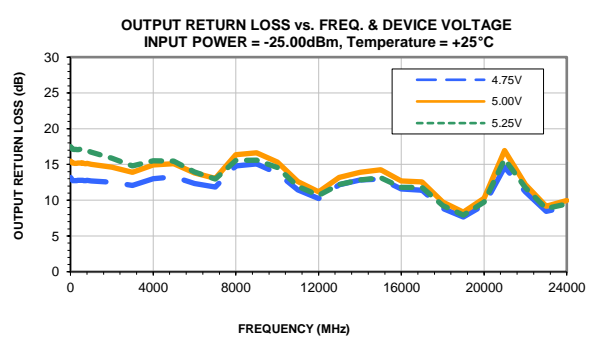
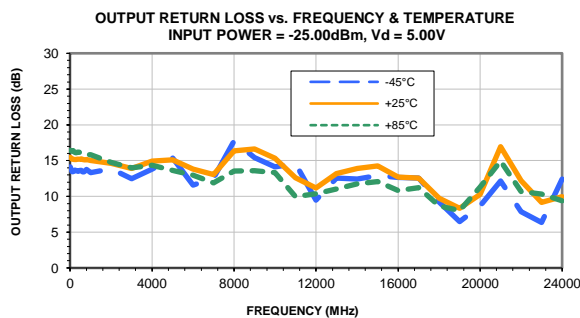
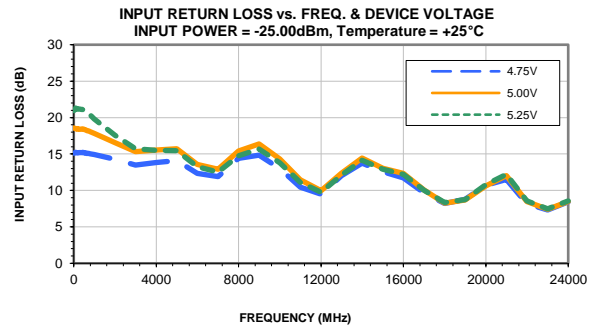
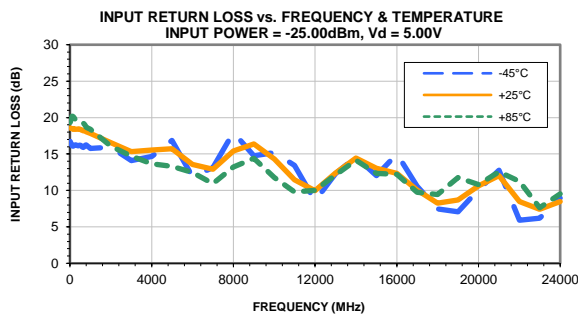
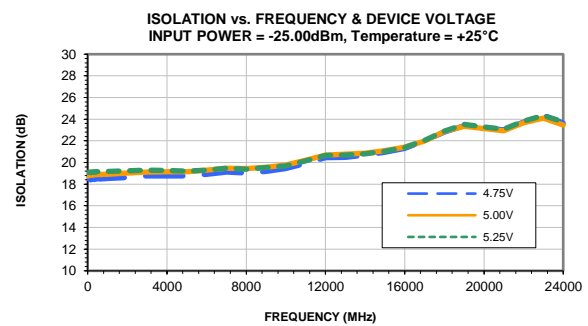
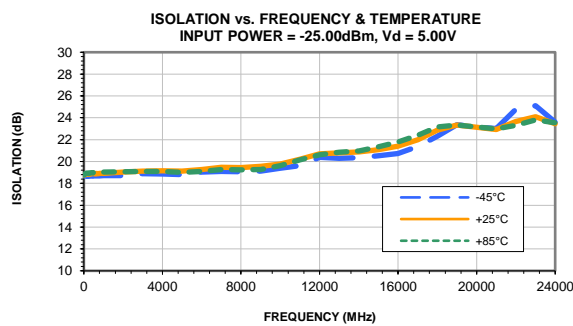
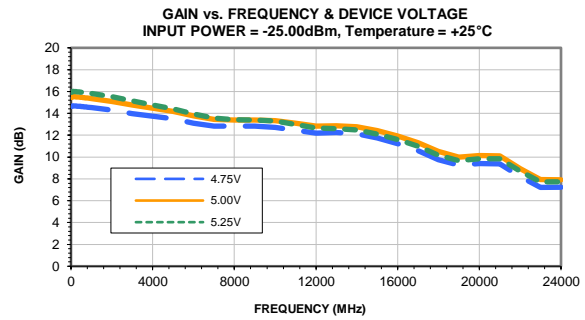
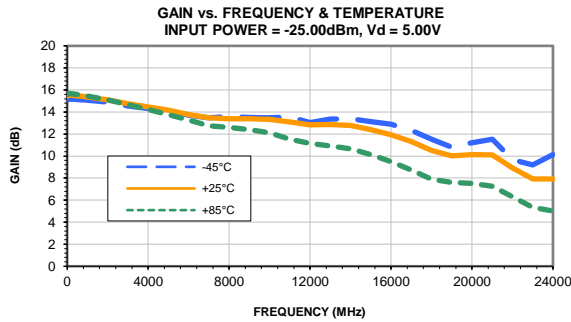
Reverse Isolation = -S12 (dB)

Output Return Loss = -S22 (dB)

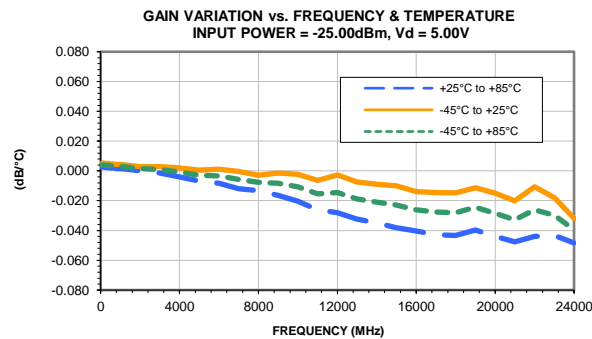
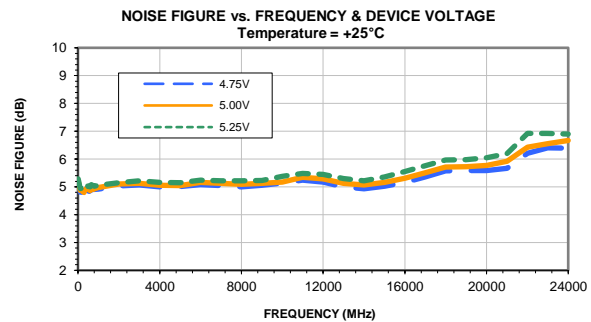
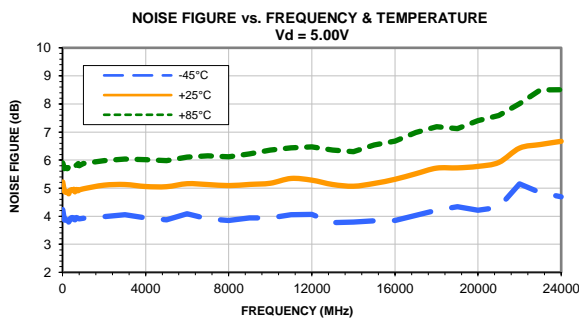
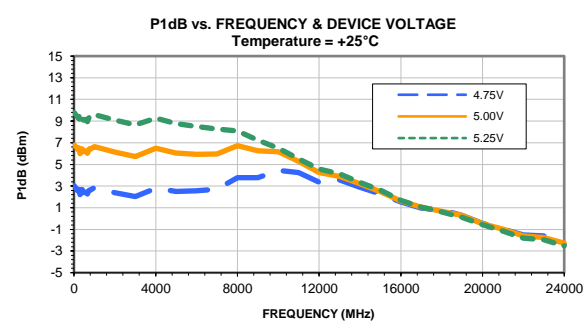
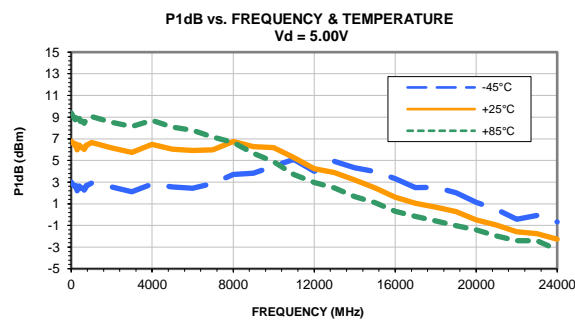
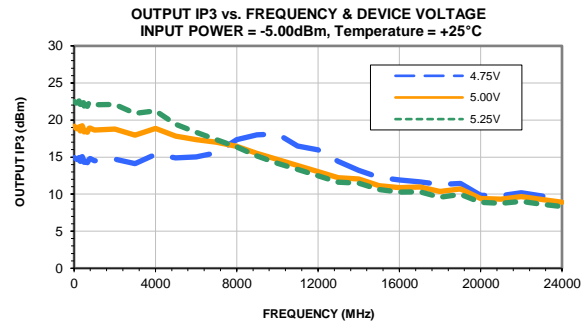
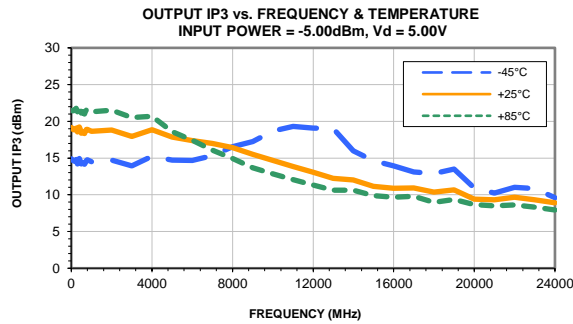
TEST CONDITIONS: Vd = 5.25V, Id = 24.45mA @ Temperature = +85°C

FREQ	Gain	Isolation	Input Return Loss	Output Return Loss	Stability		IP-3 Output	1dB Comp. Output	Noise Figure
					K	Measure			
(MHz)	(dB)	(dB)	(dB)	(dB)	K	Measure	(dBm)	(dBm)	(dB)
10	15.92	19.20	21.83	18.03	1.07	0.51	24.64	11.47	6.02
100	16.01	19.11	22.39	17.78	1.06	0.49	24.00	11.25	5.80
150	16.00	19.09	22.31	17.82	1.06	0.49	24.14	11.22	5.82
200	15.98	19.13	22.10	17.65	1.06	0.49	24.13	11.01	5.82
250	15.97	19.16	21.84	17.52	1.06	0.50	24.57	11.11	5.82
300	15.95	19.13	21.70	17.46	1.06	0.49	24.05	10.62	5.82
350	15.94	19.14	21.69	17.50	1.06	0.50	24.76	10.97	5.83
400	15.93	19.13	21.63	17.51	1.06	0.50	24.84	11.08	5.90
450	15.91	19.15	21.49	17.48	1.06	0.50	24.60	10.81	5.89
500	15.90	19.15	21.17	17.37	1.06	0.50	23.71	10.82	5.83
550	15.88	19.15	21.06	17.35	1.06	0.50	23.88	10.85	5.84
600	15.87	19.17	20.83	17.27	1.06	0.51	23.97	10.85	5.89
650	15.85	19.15	20.65	17.21	1.06	0.51	23.77	10.63	6.02
700	15.84	19.16	20.45	17.10	1.06	0.51	24.24	10.83	5.87
750	15.82	19.16	20.15	16.94	1.06	0.51	24.34	11.05	5.90
800	15.80	19.16	19.78	16.90	1.06	0.51	24.32	11.02	5.90
1000	15.74	19.17	19.16	16.84	1.06	0.52	24.05	11.27	5.96
2000	15.32	19.14	15.78	15.01	1.06	0.56	25.17	10.75	6.09
3000	14.80	19.08	14.05	13.77	1.07	0.60	23.94	10.31	6.18
4000	14.23	19.02	12.78	13.73	1.09	0.66	22.36	10.56	6.14
5000	13.68	18.88	12.30	12.83	1.11	0.68	19.26	9.54	6.16
6000	13.08	18.92	11.57	11.95	1.14	0.71	17.51	8.58	6.30
7000	12.45	19.06	10.20	10.96	1.17	0.75	15.79	7.39	6.32
8000	12.24	19.00	12.30	12.19	1.21	0.77	14.51	6.35	6.33
9000	11.97	19.04	13.24	11.99	1.26	0.76	13.20	5.29	6.44
10000	11.58	19.40	10.99	11.84	1.31	0.80	12.30	4.29	6.60
11000	10.89	19.96	9.26	8.96	1.37	0.78	11.60	3.11	6.75
12000	10.44	20.50	9.58	9.31	1.50	0.82	10.90	2.35	6.76
13000	10.16	20.69	11.89	9.91	1.61	0.84	10.22	1.99	6.67
14000	9.88	20.89	13.64	10.45	1.74	0.84	10.26	1.22	6.65
15000	9.32	21.32	11.94	10.76	1.90	0.88	9.52	0.65	6.95
16000	8.69	21.81	11.98	9.73	2.09	0.87	9.29	-0.13	7.12
17000	7.92	22.46	9.52	10.08	2.33	0.93	9.44	-0.48	7.49
18000	7.09	23.23	9.46	7.95	2.60	0.87	8.50	-0.91	7.74
19000	6.80	23.45	12.13	7.34	2.78	0.81	9.01	-1.36	7.76
20000	6.72	23.37	10.73	10.08	2.95	0.94	8.38	-1.55	8.11
21000	6.53	23.13	12.34	13.16	3.12	0.98	8.16	-2.24	8.34
22000	5.59	23.52	11.18	9.71	3.34	0.94	8.26	-2.58	8.76
23000	4.68	24.12	7.63	9.40	3.52	1.02	8.03	-2.83	9.24
24000	4.41	23.80	9.49	8.78	3.63	0.96	7.68	-3.48	9.33

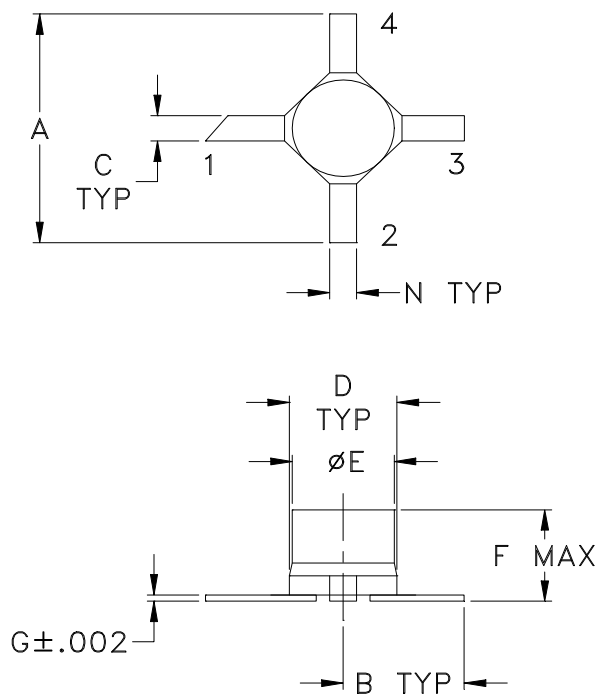
Typical Performance Curves



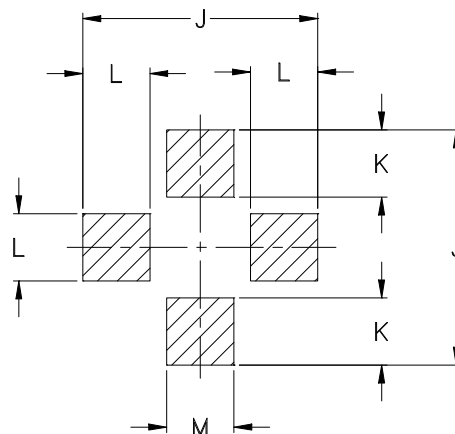
Typical Performance Curves



Outline Dimensions



PCB Land Pattern



Suggested Layout,
Tolerance to be within $\pm .002$

CASE #	A	B	C	D	E	F	G	H	J	K	L	M	N	WT. GRAM
AF320	.200 (5.08)	.100 (2.54)	.020 (0.51)	.070 (1.78)	.068 (1.73)	.057 (1.45)	.005 (0.13)	-	.230 (5.84)	.065 (1.65)	.060 (1.52)	.080 (2.03)	.040 (1.02)	.04

Dimensions are in inches (mm). Tolerances: 2Pl. $\pm .03$; 3Pl. $\pm .015$

Notes:

- Case material: Ceramic.
- Termination material:
Nickel-Iron alloy 42.
- Termination finish:
For RoHS Case Styles: Tin-Silver alloy plate over Nickel barrier or Matte-Tin. (See Data Sheet)
For RoHS-5 Case Styles: Tin-Lead plate.
- Termination (1):
May have diagonal cut. Input and output interchangeable for PAT models only.
- Special Tolerances: Termination width $\pm .005$ inch, termination thickness $\pm .002$ inch, cap diameter $\pm .005$ inch.



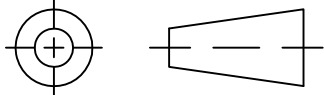
INTERNET <http://www.minicircuits.com>

P.O. Box 350166, Brooklyn, New York 11235-0003 (718) 934-4500 Fax (718) 332-4661

Distribution Centers NORTH AMERICA 800-654-7949 • 417-335-5935 • Fax 417-335-5945 • EUROPE 44-1252-832600 • Fax 44-1252-837010

Mini-Circuits ISO 9001 & ISO 14001 Certified

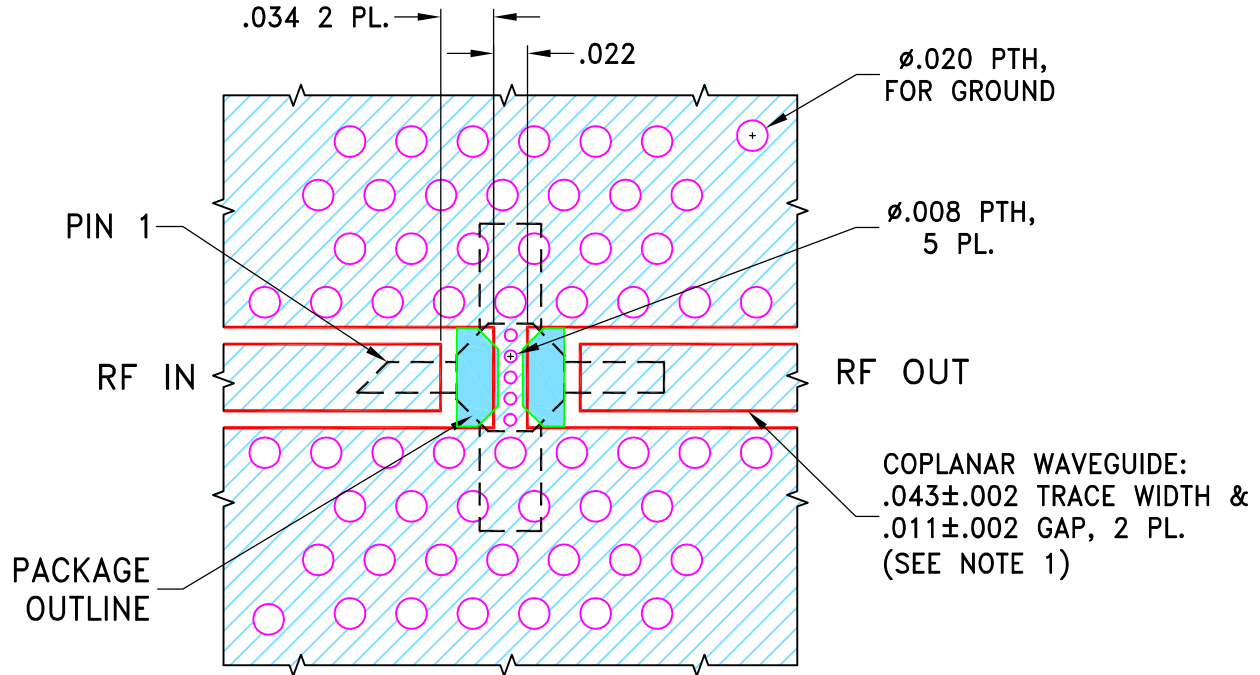
THIRD ANGLE PROJECTION



REVISIONS

REV	ECN No.	DESCRIPTION	DATE	DR	AUTH
OR	M168675	NEW RELEASE	07/06/18	GF	GH
A	M168511	UPDATED SOLDER MASK	08/10/18	ITG	GH

SUGGESTED MOUNTING CONFIGURATION FOR AF320 CASE STYLES, "04AM05" PIN CONNECTION



NOTES:

1. TRACE WIDTH & GAP PARAMETERS ARE SHOWN FOR ROGERS R04350B WITH DIELECTRIC THICKNESS $.030 \pm .002$ "; COPPER: 1/2 OZ. EACH SIDE. FOR OTHER MATERIALS TRACE WIDTH AND GAP MAY NEED TO BE MODIFIED.
2. UNIT LAND PATTERN WAS ADJUSTED FOR HIGH FREQUENCY PERFORMANCE AND DIFFERENT FROM SUGESTED LAYOUT AS PER AF320.
3. TO PREVENT SOLDER WICKING ø.020 PTH MAY BE PLUGGED.
4. BOTTOM SIDE OF THE PCB IS CONTINUOUS GROUND PLANE.



DENOTES PCB SOLDER MASK LAYOUT



DENOTES COPPER LAND PATTERN FREE OF SOLDER MASK

UNLESS OTHERWISE SPECIFIED	INITIALS	DATE
DIMENSIONS ARE IN INCHES TOLERANCES ON: 2 PL DECIMALS ± 3 PL DECIMALS ± .005 ANGLES ± 1° FRACTIONS ±	DRAWN	06/26/18
	CHECKED	07/05/18
	APPROVED	07/06/18



Mini-Circuits® 13 Neptune Avenue
Brooklyn NY 11235

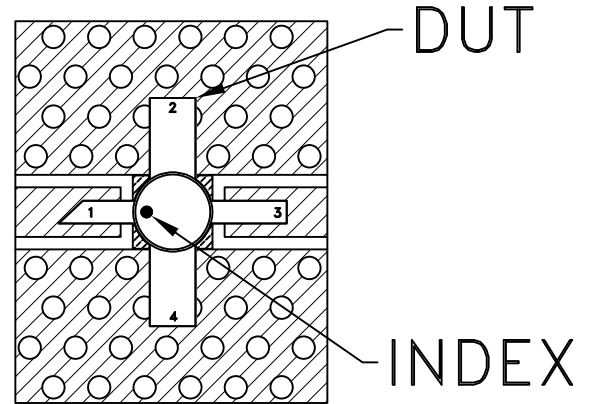
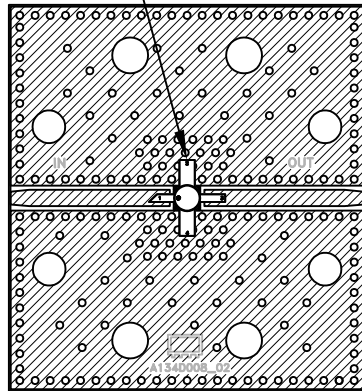
PL, 04AM05, AF320, MB-022

SIZE	CODE IDENT	DRAWING NO:	REV:
A	15542	98-PL-597	A
FILE:	98PL597	SCALE:	SHEET:
		8:1	1 OF 1

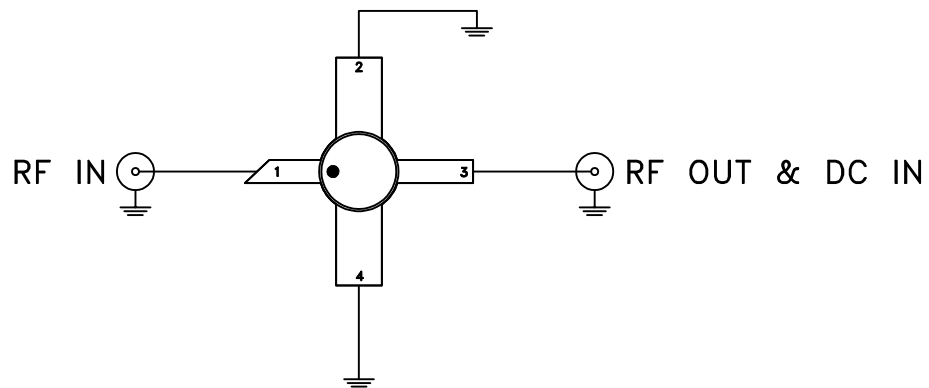
Mini-Circuits®
THIS DOCUMENT AND ITS CONTENTS ARE THE PROPERTY OF MINI-CIRCUITS. EXCEPT FOR USE EXPRESSLY GRANTED, IN WRITING, TO ITS VENDORS, VENDEE AND THE UNITED STATES GOVERNMENT, MINI-CIRCUITS RESERVES ALL PROPRIETARY DESIGN, USE, MANUFACTURING AND REPRODUCTION RIGHTS THERETO. THESE CONTENTS SHALL NOT BE USED, DUPLICATED OR DISCLOSED TO ANY OUTSIDE PARTY, IN WHOLE OR IN PART, WITHOUT WRITTEN PERMISSION OF MINI-CIRCUITS.

Evaluation Board and Circuit

SEE DETAIL "A"



DETAIL "A"
(SCALE 3:1)



SCHEMATIC DIAGRAM
(SCALE 3:1)

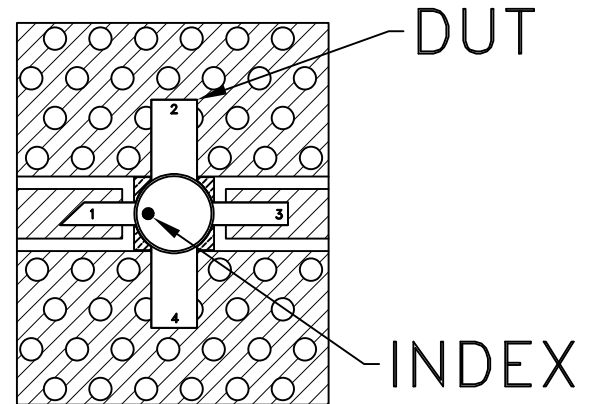
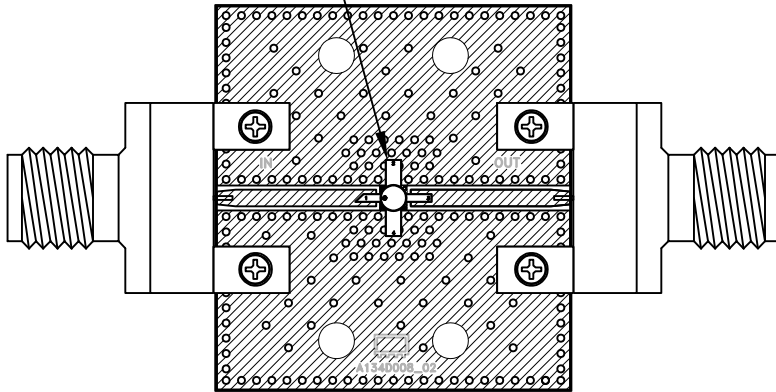
Function	Pad
RF IN	1
RF OUT & DC IN	3
GND	2,4

NOTES:

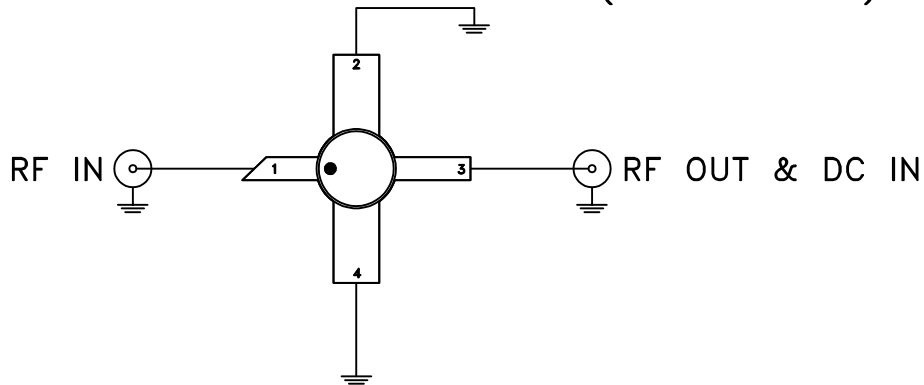
1. PCB Material: Roger R04350B or equivalent,
Dielectric constant=3.5, Thickness=0.03 inch

Evaluation Board and Circuit

SEE DETAIL "A"



DETAIL "A"
(SCALE 3:1)




SCHEMATIC DIAGRAM
(SCALE 3:1)

Function	Pad
RF IN	1
RF OUT & DC IN	3
GND	2,4

NOTES:

1. 2.92mm Female Connectors.
2. PCB Material: Roger R04350B or equivalent, Dielectric constant=3.5, Thickness=0.03 inch

 Mini-Circuits®

All Mini-Circuits products are manufactured under exacting quality assurance and control standards, and are capable of meeting published specifications after being subjected to any or all of the following physical and environmental test.

Specification	Test/Inspection Condition	Reference/Spec
Operating Temperature	-40° to 85°C Ambient Environment	Individual Model Data Sheet
Storage Temperature	-55° to 100° C or -65° to 150° Ambient Environment	Individual Model Data Sheet
Thermal Shock	-55° to 100°C, 100 cycles	MIL-STD-202, Method 107, Condition A-3, except +100°C
Mechanical Shock	1.5Kg, 0.5 ms, 5 shock pulses, Y1 direction only	MIL-STD-883, Method 2002, Condition B, except Y1 direction only
Vibration (Variable Frequency)	50g peak	MIL-STD-883, Method 2007, Condition B
Autoclave	15 psig, 100% RH, 121°C, 96 hours	JESD22-A102, Condition C
HAST	130°C, 85% RH, 96 hours	JESD22-A110
Solderability	10X Magnification	J-STD-002, Para 4.2.5, Test S, 95% Coverage
Solder Reflow Heat	Sn-Pb Eutetic Process: 240°C peak Pb-Free Process: 260°C peak	J-STD-020, Table 4-1, 4-2 and 5-2; Figure 5-1
Moisture Sensitivity: Level 1	Bake at 125°C for 24 hours Soak at 85°C/85% RH for 168 hours, Reflow 3 cycles at 260°C peak	J-STD-020
Marking Resistance to Solvents	Isopropyl alcohol + mineral spirits at 25°C; terpene defluxer at 25°C; distilled water + proylene glycol monomethyl ether +	MIL-STD-202, Method 215



All Mini-Circuits products are manufactured under exacting quality assurance and control standards, and are capable of meeting published specifications after being subjected to any or all of the following physical and environmental test.

Specification	Test/Inspection Condition	Reference/Spec
---------------	---------------------------	----------------

monoethanolamine at 63°C to 70°C