



### Product Description

The SGA3263Z is a high performance SiGe HBT MMIC Amplifier. A Darlington configuration featuring one-micron emitters provides high  $F_T$  and excellent thermal performance. The heterojunction increases breakdown voltage and minimizes leakage current between junctions. Cancellation of emitter junction non-linearities results in higher suppression of intermodulation products. Only two DC-blocking capacitors, a bias resistor, and an optional RF choke are required for operation.

### Features

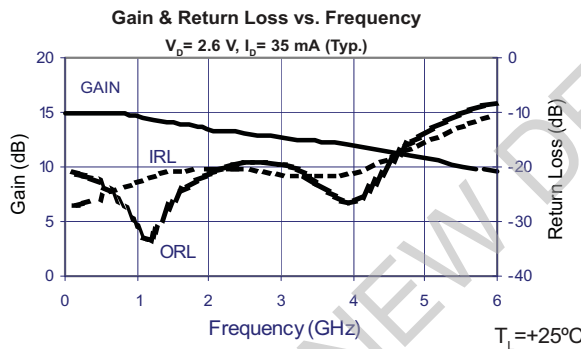
- Broadband Operation: DC to 5500 MHz
- Cascadable 50Ω
- Operates from Single Supply
- Low Thermal Resistance Package

### Applications

- PA Driver Amplifier
- Cellular, PCS, GSM, UMTS
- IF Amplifier
- Wireless Data, Satellite

#### Optimum Technology Matching® Applied

- GaAs HBT
- GaAs MESFET
- InGaP HBT
- SiGe BiCMOS
- Si BiCMOS
- SiGe HBT
- GaAs pHEMT
- Si CMOS
- Si BJT
- GaN HEMT
- RF MEMS



| Parameter                            | Specification |      |      | Unit | Condition |
|--------------------------------------|---------------|------|------|------|-----------|
|                                      | Min.          | Typ. | Max. |      |           |
| Small Signal Gain                    | 13.5          | 15.0 | 16.5 | dB   | 850 MHz   |
|                                      |               | 13.6 |      | dB   | 1950 MHz  |
|                                      |               | 13.3 |      | dB   | 2400 MHz  |
| Output Power at 1dB Compression      |               | 11.6 |      | dBm  | 850 MHz   |
|                                      |               | 10.9 |      | dBm  | 1950 MHz  |
| Output Third Intercept Point         |               | 26.2 |      | dBm  | 850 MHz   |
|                                      |               | 24.1 |      | dBm  | 1950 MHz  |
| Bandwidth Determined by Return Loss  |               | 5500 |      | MHz  | >10 dB    |
| Input Return Loss                    |               | 20.3 |      | dB   | 1950 MHz  |
| Output Return Loss                   |               | 21.5 |      | dB   | 1950 MHz  |
| Noise Figure                         |               | 3.8  |      | dB   | 1950 MHz  |
| Device Operating Voltage             | 2.3           | 2.6  | 2.9  | V    |           |
| Device Operating Current             | 31            | 35   | 39   | mA   |           |
| Thermal Resistance (Junction - Lead) |               | 255  |      | °C/W |           |

Test Conditions:  $V_S = 5 \text{ V}, I_D = 35 \text{ mA Typ.}, OIP_3 \text{ Tone Spacing} = 1 \text{ MHz}, P_{OUT} \text{ per tone} = -5 \text{ dBm}, R_{BIAS} = 68 \Omega, T_L = 25^\circ\text{C}, Z_S = Z_L = 50 \Omega$

## Absolute Maximum Ratings

| Parameter                      | Rating     | Unit |
|--------------------------------|------------|------|
| Max Device Current ( $I_D$ )   | 70         | mA   |
| Max Device Voltage ( $V_D$ )   | 4          | V    |
| Max RF Input Power             | +18        | dBm  |
| Max Junction Temp ( $T_J$ )    | +150       | °C   |
| Operating Temp Range ( $T_L$ ) | -40 to +85 | °C   |
| Max Storage Temp               | +150       | °C   |

Operation of this device beyond any one of these limits may cause permanent damage. For reliable continuous operation, the device voltage and current must not exceed the maximum operating values specified in the table on page one.

Bias Conditions should also satisfy the following expression:  
 $I_D V_D < (T_J - T_L) / R_{TH, j-l}$



**Caution!** ESD sensitive device.

Exceeding any one or a combination of the Absolute Maximum Rating conditions may cause permanent damage to the device. Extended application of Absolute Maximum Rating conditions to the device may reduce device reliability. Specified typical performance or functional operation of the device under Absolute Maximum Rating conditions is not implied.

The information in this publication is believed to be accurate and reliable. However, no responsibility is assumed by RF Micro Devices, Inc. ("RFMD") for its use, nor for any infringement of patents, or other rights of third parties, resulting from its use. No license is granted by implication or otherwise under any patent or patent rights of RFMD. RFMD reserves the right to change component circuitry, recommended application circuitry and specifications at any time without prior notice.



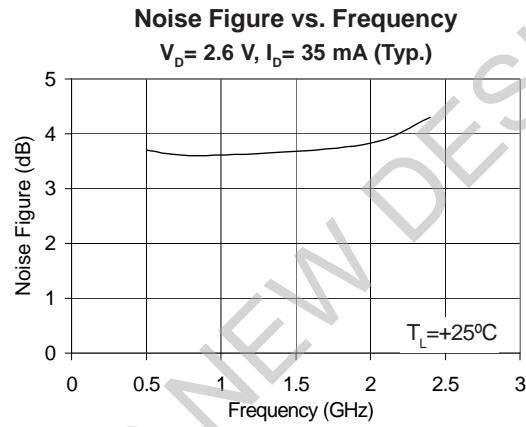
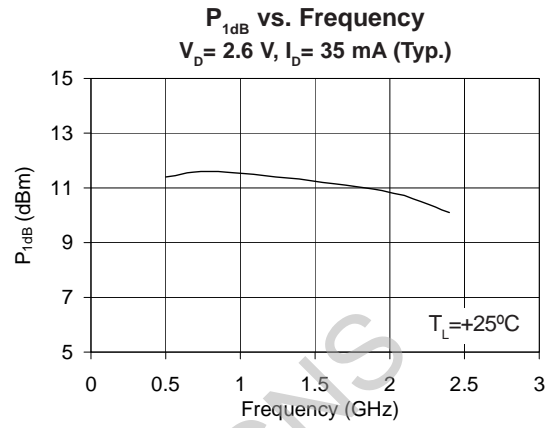
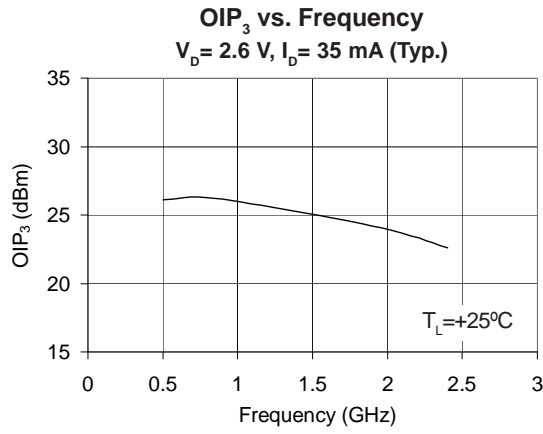
RFMD Green: RoHS compliant per EU Directive 2002/95/EC, halogen free per IEC 61249-2-21, < 1000ppm each of antimony trioxide in polymeric materials and red phosphorus as a flame retardant, and <2% antimony in solder.

## Typical Performance at Key Operating Frequencies

| Parameter                          | Unit | 100 MHz | 500 MHz | 850 MHz | 1950 MHz | 2400 MHz | 3500 MHz |
|------------------------------------|------|---------|---------|---------|----------|----------|----------|
| Small Signal Gain                  | dB   | 15.4    | 15.2    | 15.0    | 13.6     | 13.3     | 12.5     |
| Output Third Order Intercept Point | dBm  |         | 26.1    | 26.2    | 24.1     | 22.6     |          |
| Output Power at 1dB Compression    | dBm  |         | 11.4    | 11.6    | 10.9     | 10.1     |          |
| Input Return Loss                  | dB   | 27.0    | 25.6    | 23.6    | 20.3     | 20.4     | 21.8     |
| Output Return Loss                 | dB   | 20.8    | 22.9    | 28.0    | 21.5     | 19.4     | 22.7     |
| Reverse Isolation                  | dB   | 18.2    | 18.4    | 18.6    | 19.1     | 19.1     | 18.9     |
| Noise Figure                       | dB   |         | 3.7     | 3.6     | 3.8      | 4.3      |          |

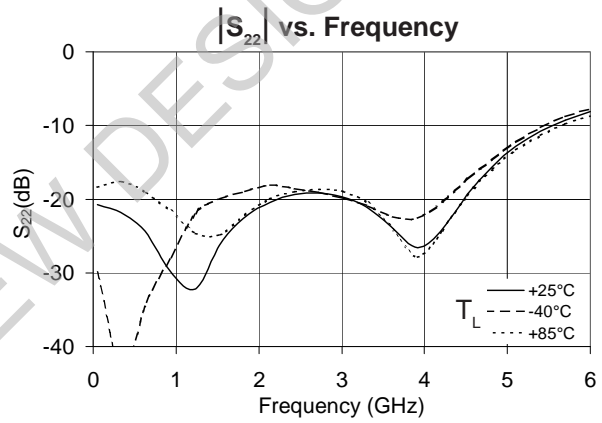
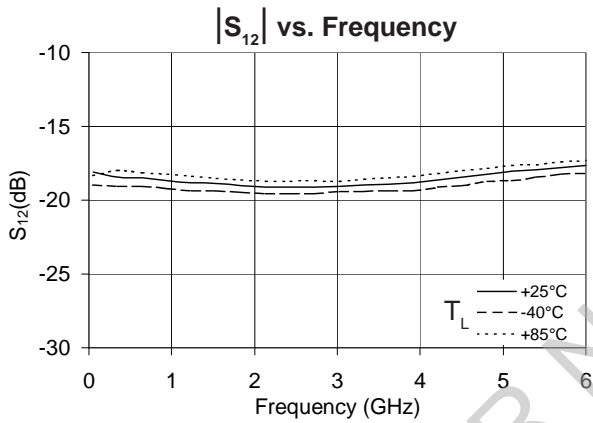
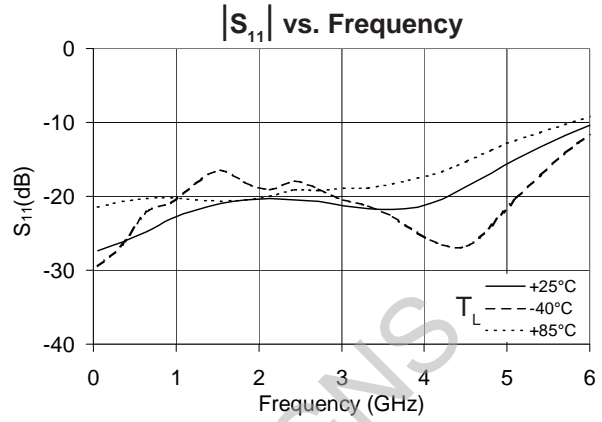
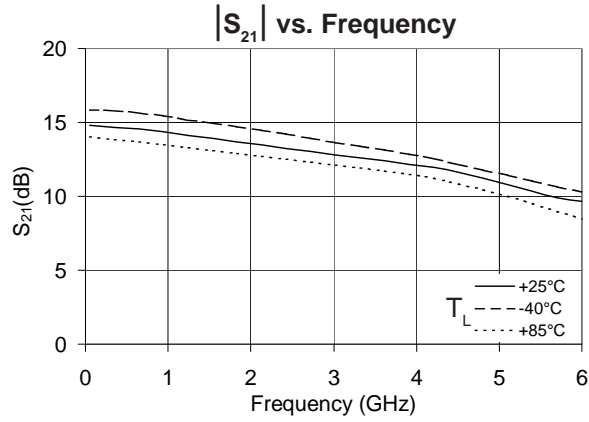
Test Conditions:  $V_S = 5V$ ,  $I_D = 35mA$  Typ., OIP<sub>3</sub> Tone Spacing = 1MHz, P<sub>OUT</sub> per tone = -5dBm, R<sub>BIAS</sub> = 68Ω, T<sub>L</sub> = 25°C, Z<sub>S</sub> = Z<sub>L</sub> = 50Ω

NOT FOR NEW DESIGNS



NOT FOR NEW DESIGNS

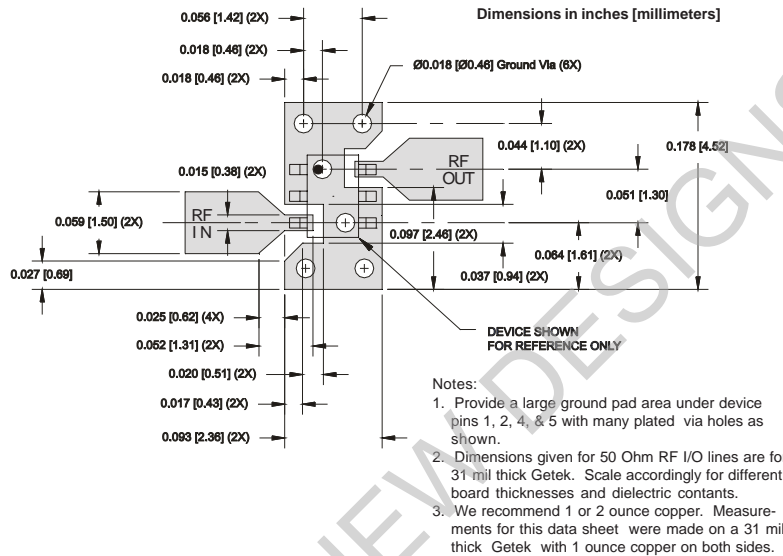
Typical RF Performance Over Temperature (Bias:  $V_D=2.6V$ ,  $I_D=35mA$ )



NOT FOR NEW DESIGNS

| Pin        | Function    | Description   |
|------------|-------------|---|
| 3          | RF IN       | RF input pin. This pin requires the use of an external DC-blocking capacitor chosen for the frequency of operation.             |
| 1, 2, 4, 5 | GND         | Connection to ground. For optimum RF performance, use via holes as close to ground leads as possible to reduce lead inductance. |
| 6          | RF OUT/BIAS | RF output and bias pin. DC voltage is present on this pin, therefore a DC-blocking capacitor is necessary for proper operation. |

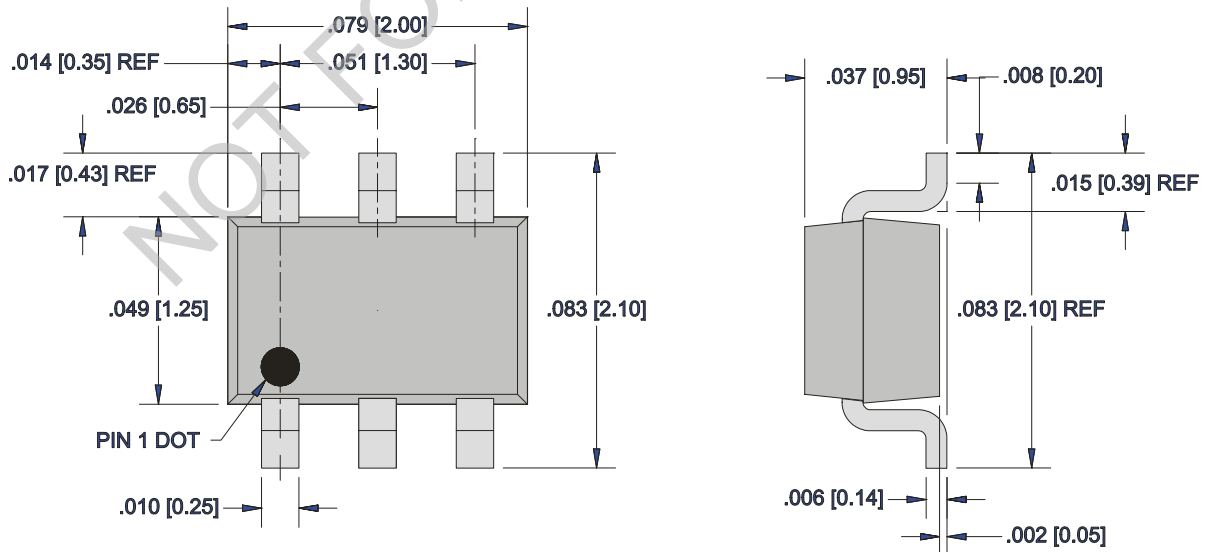
### Suggested Pad Layout



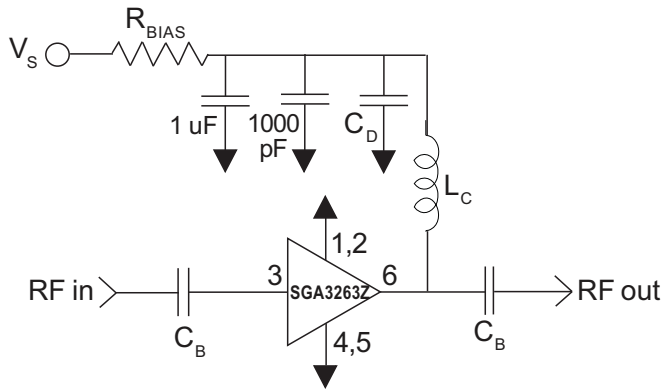
### Package Drawing

Dimensions in inches (millimeters)

Refer to drawing posted at [www.rfmd.com](http://www.rfmd.com) for tolerances.



## Application Schematic

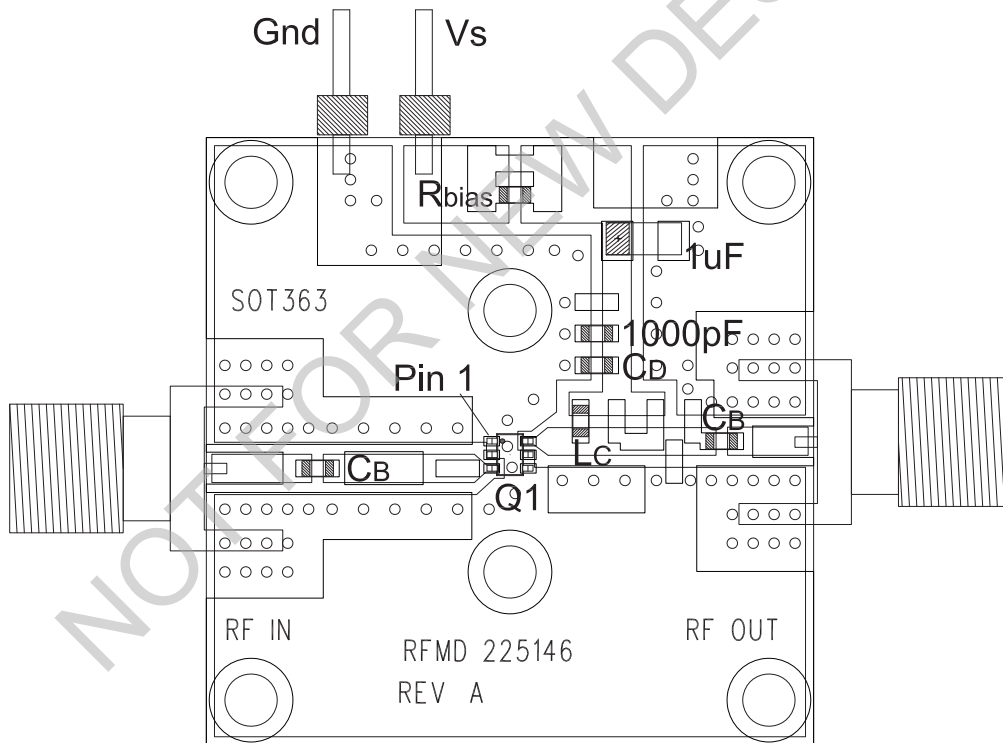


| Reference Designator | Frequency (Mhz) |        |       |       |       |
|----------------------|-----------------|--------|-------|-------|-------|
|                      | 500             | 850    | 1950  | 2400  | 3500  |
| C <sub>B</sub>       | 220 pF          | 100 pF | 68 pF | 56 pF | 39 pF |
| C <sub>D</sub>       | 100 pF          | 68 pF  | 22 pF | 22 pF | 15 pF |
| L <sub>C</sub>       | 68 nH           | 33 nH  | 22 nH | 18 nH | 15 nH |

| Recommended Bias Resistor Values for I <sub>b</sub> =35mA |      |       |       |       |
|---|------|-------|-------|-------|
| $R_{BIAS} = (V_S - V_D) / I_D$                            |      |       |       |       |
| Supply Voltage (V <sub>S</sub> )                          | 5 V  | 8 V   | 10 V  | 12 V  |
| R <sub>BIAS</sub>   | 68 Ω | 150 Ω | 200 Ω | 270 Ω |

Note: R<sub>BIAS</sub> provides DC bias stability over temperature.

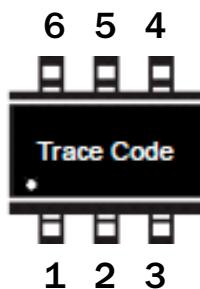
## Evaluation Board Layout



### Mounting Instructions:

1. Use a large droung pad area near device pins 1, 2, 4, and 5 with plated through-holes as shown.
2. We recommend 1 or 2 ounces copper. Measurements for this data sheet were made on a 31mil thick FR-4 board with 1 ounce copper on both sides.

## Part Identification



## Ordering Information

| Ordering Code | Description                                       |
|---------------|---|
| SGA3263Z      | 7" Reel with 3000 pieces                          |
| SGA3263ZSQ    | Sample bag with 25 pieces                         |
| SGA3263ZSR    | 7" Reel with 100 pieces                           |
| SGA3263ZPCK1  | 850MHz, 5V Operation PCBA with 5-piece sample bag |

NOT FOR NEW DESIGNS

# Mouser Electronics

Authorized Distributor

Click to View Pricing, Inventory, Delivery & Lifecycle Information:

[Qorvo:](#)

[SGA3263Z](#)