

## Microstrip Isolators

Part Number: KTMI-1202A

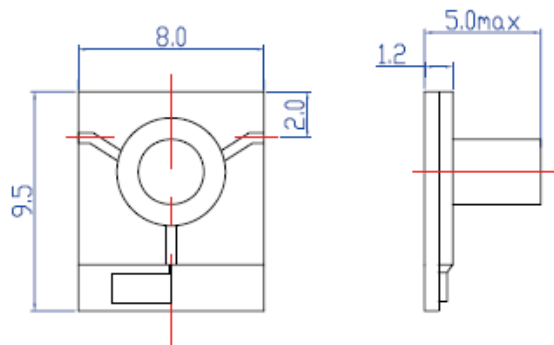
### Key Features

- Frequency Range: 8GHz - 18GHz
- Good Consistency
- Small Size, High Precision
- High Isolation, Low Insertion Loss
- Wide Operating Temperature Range: -55°C~+85°C
- Widely Used in Various Millimeter Wave Radar & TR Components

### Electrical Specifications at Room (25°C±5°C) Temperature

Part Number	Freq. Range (GHz)	Bandwidth Max. (MHz)	Insertion Loss Max. (dB)	Isolation Min. (dB)	VSWR Max.	Load Power (W)	Connector Type
KTMI-1202A	8 - 18	full	1.2	11	1.60	5	GWB

### Mechanical Dimensions (mm)



### HOW TO ORDER

