

### Features

- Wide Selection of Packages for Stripline, Coaxial, and Waveguide Detectors
- Chip Diodes Available
- N Type Diodes
- Low 1/F Noise

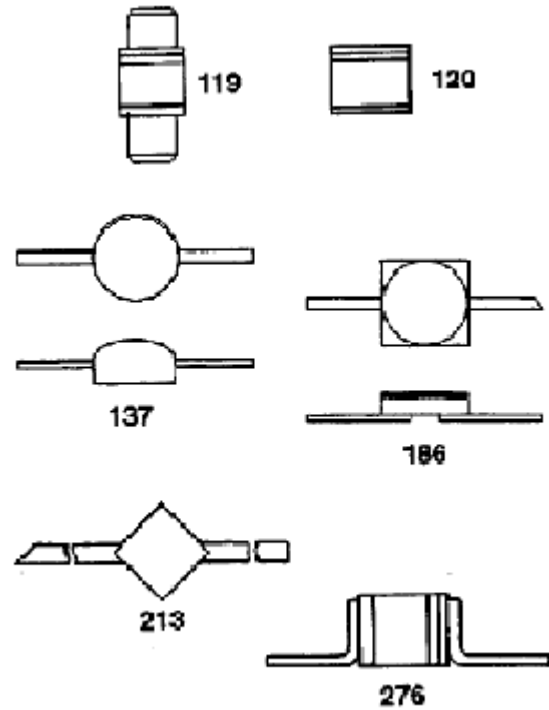
### Description

This family of low capacitance Schottky diodes is designed to give superior performance in video detectors and power monitors from 100 MHz through 16 GHz. They have low junction capacitance and repeatable video impedance. These diodes are available in a wide range of ceramic, stripline and axial lead packages and as bondable chips.

### Applications

Detectors and power monitors in stripline, coaxial and waveguide circuits through 16GHz.

### Case Styles



### Maximum Ratings

Temperature Ratings Storage Operating Temperature	-65°C to +150°C (Case Styles 54, 119, 120, 135, 135A, 186, 276) -65°C to +125°C (Case Styles 137, 213)
Power Ratings @ 25°C Maximum Peak Incident RF Power  Maximum CW RF Power Derate Linearity to Zero at 150°C	S-X Band 1 Watt - 1 microsecond maximum pulse length Ku-K Band 0.5 W - 1 microsecond maximum pulse length S-X Band 150 mW (maximum) Ku-K Band 100 mW (maximum)
Solder Temperature For case styles 54, 119, 186, 276 For case style 120 For case styles 137 and 213	230°C for 5 seconds, 1 mm from package 200°C for 5 seconds 150°C for 5 seconds, 1 mm from package

### Packaged N Type Silicon Schottky Detector Diodes

These low barrier packaged detector diodes are suitable for use in waveguide and coaxial detectors. They feature high sensitivity and low 1/f noise. These diodes are listed by increasing test frequency, grouped by packages style and decreasing T<sub>ss</sub>. Other case styles than those specified may be available.

### Specifications @ T<sub>A</sub> = +25°C

Model Number <sup>1</sup>	Case Style	Test Frequency (GHz)	Maximum <sup>2,3</sup> Tang. Signal Sensitivity T <sub>ss</sub> (dBm)	Video Impedance <sup>3,4</sup> Range Min./Max. (k Ohms)
MA40201	119	10	-55	1/2
MA40205	119	16	-52	1/2
MA40215	120	16	-52	1/2

Notes:

- Schottky barrier junction diodes are thermocompression bonded in case style 119 and 120. The standard case style is given for each model number. Other case styles may be available.
- The video amplifier bandwidth is 1 MHz and the nominal amplifier noise figure is 3 dB. DC Impedance is 10 k ohms.
- The DC bias is 20 µA.
- RF Power = 30 dBm. The DC forward bias is +20 µA.
- Measured at the indicated test frequency and at -30 dBm RF power.

### N Type Silicon Schottky Detector Diodes

These low barrier packaged detector diodes are suitable for use in stripline applications. They feature high sensitivity, and low  $1/f$  noise. These diodes are listed by increasing frequency, and grouped by package style and  $T_{SS}$ . Case styles other than those specified may be available. For additional information, contact the factory.

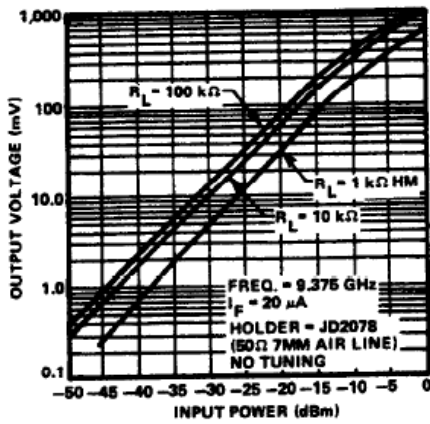
Model Number	Case Style	Test Frequency (GHz)	Minimum <sup>1</sup> Tang. Signal Sensitivity $T_{SS}$ (dBm)	Video Impedance <sup>2</sup> Range Min./Max. (K Ohms)
MA40261	186	3	-55	1/2
MA40143	213	3	-50	1/2
MA40264	186	10	-55	1/2
MA40147	213	10	-55	1/2
MA40208-276	276	10	-52	1/2
MA40215-276	276	16	-52	1/2

Notes:

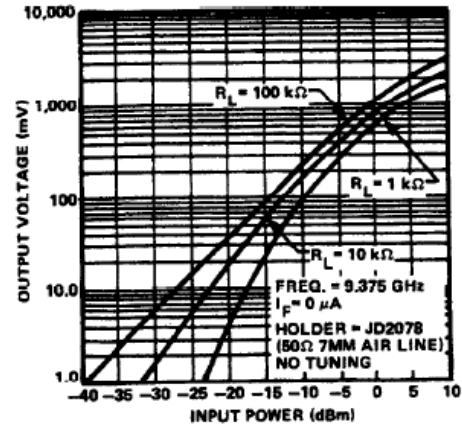
1. The video amplifier bandwidth is 1 MHz and the noise figure is 3 dB. The Input Impedance is 10 k Ohms and DC Bias is 20  $\mu$ A.
2. Pinc = -30 dBm. The DC forward bias is +20  $\mu$ A.

### Typical Performance Curves

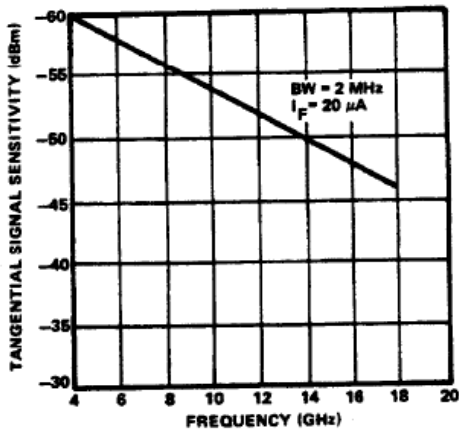
Nominal Output Voltage at X-Band (With Forward Bias)



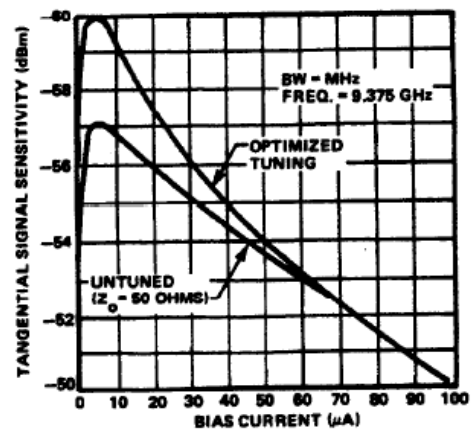
Nominal Output Voltage at X-Band (With Zero Bias)



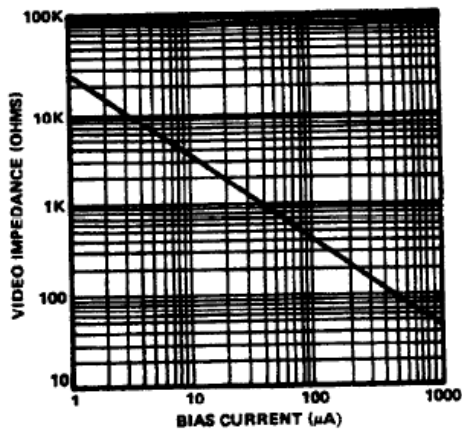
Nominal Tangential Signal Sensitivity vs. Frequency



Nominal Tangential Signal Sensitivity vs. Bias Current at X-Band



Nominal Video Impedance vs. Bias Current



M/A-COM Technology Solutions Inc. All rights reserved.

Information in this document is provided in connection with M/A-COM Technology Solutions Inc ("MACOM") products. These materials are provided by MACOM as a service to its customers and may be used for informational purposes only. Except as provided in MACOM's Terms and Conditions of Sale for such products or in any separate agreement related to this document, MACOM assumes no liability whatsoever. MACOM assumes no responsibility for errors or omissions in these materials. MACOM may make changes to specifications and product descriptions at any time, without notice. MACOM makes no commitment to update the information and shall have no responsibility whatsoever for conflicts or incompatibilities arising from future changes to its specifications and product descriptions. No license, express or implied, by estoppel or otherwise, to any intellectual property rights is granted by this document.

THESE MATERIALS ARE PROVIDED "AS IS" WITHOUT WARRANTY OF ANY KIND, EITHER EXPRESS OR IMPLIED, RELATING TO SALE AND/OR USE OF MACOM PRODUCTS INCLUDING LIABILITY OR WARRANTIES RELATING TO FITNESS FOR A PARTICULAR PURPOSE, CONSEQUENTIAL OR INCIDENTAL DAMAGES, MERCHANTABILITY, OR INFRINGEMENT OF ANY PATENT, COPYRIGHT OR OTHER INTELLECTUAL PROPERTY RIGHT. MACOM FURTHER DOES NOT WARRANT THE ACCURACY OR COMPLETENESS OF THE INFORMATION, TEXT, GRAPHICS OR OTHER ITEMS CONTAINED WITHIN THESE MATERIALS. MACOM SHALL NOT BE LIABLE FOR ANY SPECIAL, INDIRECT, INCIDENTAL, OR CONSEQUENTIAL DAMAGES, INCLUDING WITHOUT LIMITATION, LOST REVENUES OR LOST PROFITS, WHICH MAY RESULT FROM THE USE OF THESE MATERIALS.

MACOM products are not intended for use in medical, lifesaving or life sustaining applications. MACOM customers using or selling MACOM products for use in such applications do so at their own risk and agree to fully indemnify MACOM for any damages resulting from such improper use or sale.