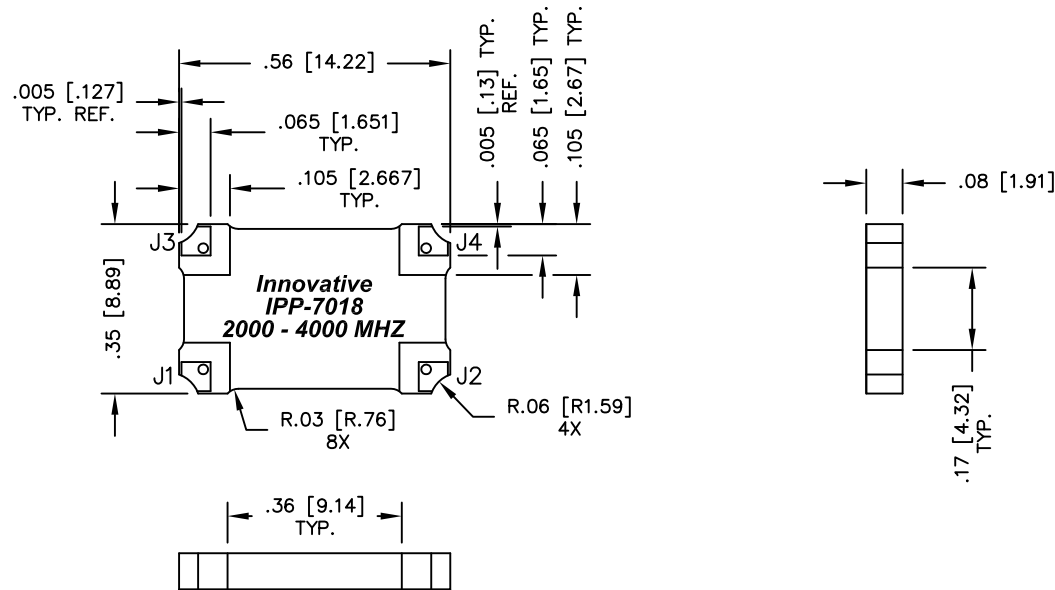


UNAUTHORIZED USE OF THIS
DRAWING IS STRICTLY PROHIBITED

DAR	REV	DESCRIPTION	APPVD	DATE
3194	A	INITIAL RELEASE	TJD	7-11



FINISH	
P/N	TYPE
IPP-7018	TIN/LEAD
IPP-7018RT	RoHS MATTE TIN
IPP-7018RG	RoHS NICKEL GOLD

NOTES:

1. SEE SMD COUPLER APPLICATION NOTE FOR FURTHER INFORMATION.
2. PARTS WITH RoHS MATTE TIN AND RoHS NICKEL GOLD FINISHES ARE RoHS COMPLIANT.
3. AVAILABLE IN TAPE AND REEL. SEE SMD COUPLER APPLICATION NOTE FOR FURTHER INFORMATION.

ELECTRICAL SPECIFICATIONS

FREQUENCY:	2000 - 4000 MHz.
INSERTION LOSS:	0.35 dB
VSWR:	<1.31:1
ISOLATION:	>18 dB
AMPLITUDE BALANCE:	±0.5 dB
PHASE BALANCE:	±5°
POWER:	100 WATT
TEMPERATURE:	-55°C TO 85°C

PORT CONFIGURATION				
INPUT	J1	J2	J3	J4
J1	---	ISOLATION	-3dB<0 DEG	-3dB<-90 DEG
J2	ISOLATION	---	-3dB<-90 DEG	-3dB<0 DEG
J3	-3dB<0 DEG	-3dB<-90 DEG	---	ISOLATION
J4	-3dB<-90 DEG	-3dB<0 DEG	ISOLATION	---

MATERIAL	DWN DG	DATE 7-09				
FINISH	ENG TJD	DATE 7-09				
SEE FINISH CHART	MANUF TP	DATE 7-09	TITLE OUTLINE			
TOLERANCE	CAGE CODE: 437R2		SMD COUPLER, 90°, 2000 - 4000 MHz. 100W			
IN [MM]	SHEET 1	OF 1	SCALE 4:1	SIZE B	P/N IPP-7018*	REV. A