

# ETC1.5-4TR

## RF 1.5:1 Step-down Auto-Transformer 5MHz - 1000MHz

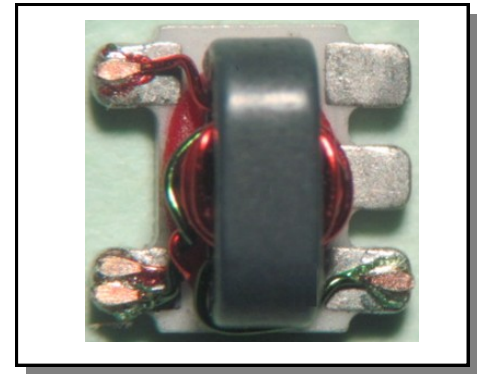
Rev. V2

### Features

- Surface mount
- 1.5:1 Impedance ratio
- Available on tape and reel

### Description

M/A-Com's ETC1.5-4 is a 1.5:1 RF step-down auto-transformer in a low cost, surface mount package. Ideally suited for high volume applications



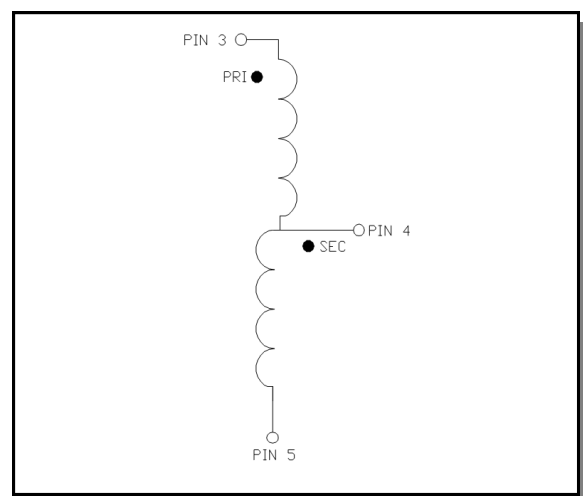
**Electrical Specifications:**  $Z_0 = 75\Omega$ ,  $T_A = 25^\circ\text{C}$ ,  $P_{in} = 0\text{dBm}$

Parameter	Conditions	Units	Min	Typ	Max
Frequency Range		MHz	5		1000
Impedance		$\Omega$		75	
Impedance Ratio				1.5:1	
Insertion Loss (Pin3 - Pin4)	5 - 200MHz @1000 MHz	dB	-	0.40	0.60
		dB	-	0.78	1.09
Input Return Loss (Pin3)	5 - 1000 MHz	dB	20	30	-

### Pin Configuration:

Pin No.	Function
3	Primary Dot
5	Primary
5	Secondary
4	Secondary Dot
1,2	Not Connected

### Schematic:



# ETC1.5-4TR

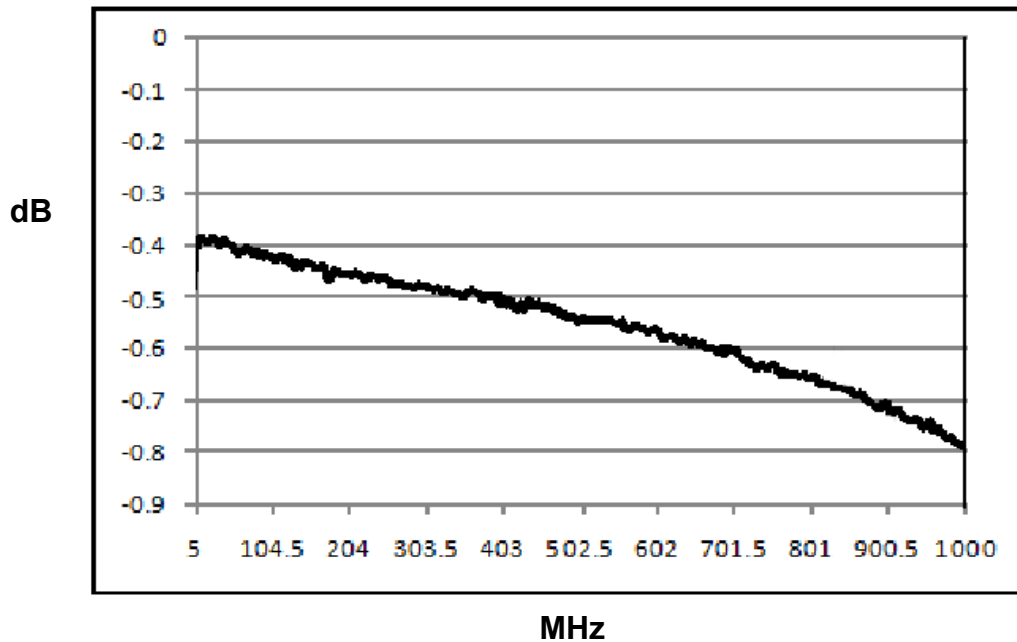


RF 1.5:1 Step-down Auto-Transformer  
5MHz - 1000MHz

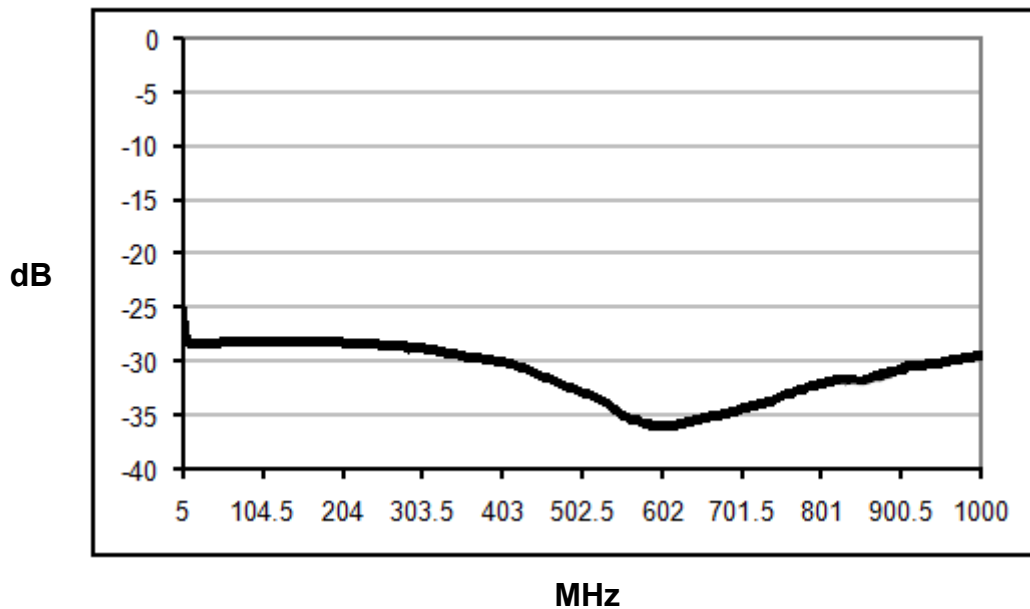
Rev. V2

Electrical Specifications:  $Z_0 = 75\Omega$ ,  $T_A = 25^\circ\text{C}$ ,  $P_{in} = 0\text{dBm}$

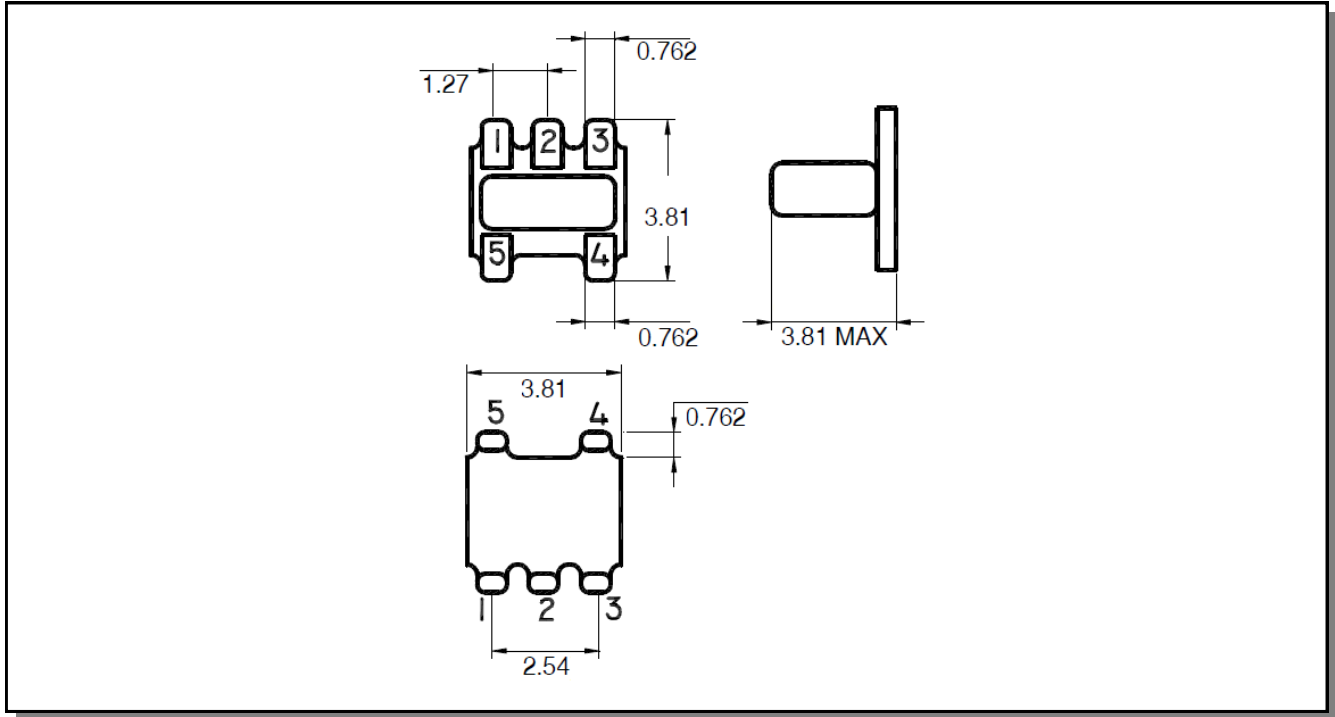
## Insertion Loss:



## Input Return Loss:

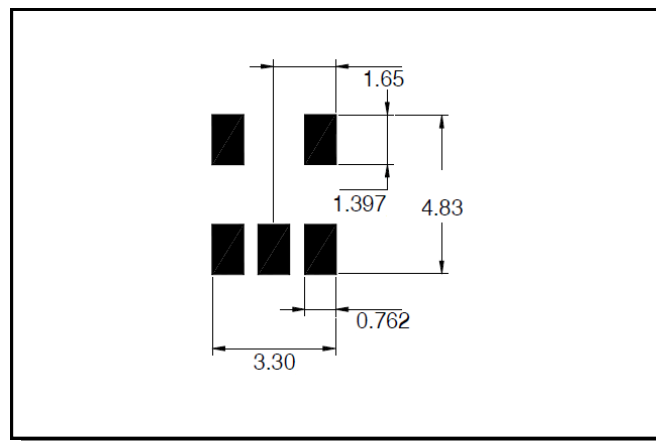


## Outline Drawing



1. Dimensions in mm.
2. Tolerance:  $\pm 0.2$ mm unless otherwise noted.
3. Model number and lot code printed on reel.
4. Plating: Sn Finish

## Recommended Footprint



# ETC1.5-4TR



RF 1.5:1 Step-down Auto-Transformer  
5MHz - 1000MHz

Rev. V2

## Tape & Reel Information

Parameter	Units	Value
Qty per reel	-	2000
Reel size	mm	330
Tape width (W)	mm	12.00
Pitch (P <sub>1</sub> )	mm	8.00
A <sub>0</sub>	mm	4
B <sub>0</sub>	mm	4
K <sub>0</sub>	mm	2.9
Orientation	-	F5
Reference Application note ANI-019 for orientation		

## Ordering Information

Part Number	Description
ETC1.5-4TR	Tape & Reel

## Recommended Maximum Ratings

Parameter	Units	Min	Max
Input Power	mW		250
DC Current	mA		200
Operating Temperature Range	°C	-40	+85

Temperature data available on request