

Product Description

The TQP369180 is a general-purpose buffer amplifier that offers high dynamic range in a low-cost surface-mount package. At 1.9 GHz, the amplifier typically provides 15.0 dB gain, +29.5 dBm OIP3, and 3.6 dB Noise Figure while drawing 45 mA current. The device combines dependable performance with consistent quality to maintain MTTF values exceeding 100 years at mounting temperatures of +85°C. The device is housed in a lead-free/green/RoHS-compliant industry-standard SOT-89 package.

The TQP369180 consists of a Darlington-pair amplifier using the high reliability InGaP/GaAs HBT process technology. Only DC-blocking capacitors, a bias resistor, and an inductive RF choke are required for operation.

This broadband MMIC amplifier can be directly applied to various current and next generation wireless technologies such as CDMA, W-CDMA, and LTE. In addition, the TQP369180 will work for other applications within the DC to 6 GHz frequency range.

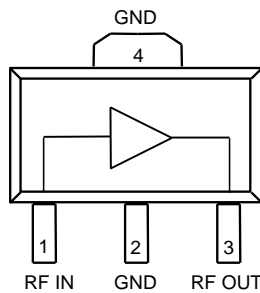


SOT-89 Package

Product Features

- DC-6000 MHz
- Flat, broadband frequency response
- 15 dB Gain at 1.9 GHz
- 3.6 dB Noise Figure at 1.9 GHz
- +29.5 dBm Output IP3 at 1.9 GHz
- +14.4 dBm P1dB at 1.9 GHz
- 50 Ohm Cascadable Gain Block
- Single Supply, 45 mA Current
- SOT-89 Package

Functional Block Diagram



Applications

- Wireless Infrastructure
- CATV / SATV / MoCA
- Point to Point
- Defense & Aerospace
- Test & Measurement Equipment
- General Purpose Wireless

Ordering Information

| Part No. | Description |
|---------------|----------------------------|
| TQP369180 | InGaP/GaAs HBT Gain Block |
| TQP369180-PCB | 0.5-4 GHz Evaluation Board |

Standard T/R size = 2500 pieces on a 13" reel

Absolute Maximum Ratings

| Parameter | Rating |
|-----------------------------------|---------------|
| Storage Temperature | -55 to +150°C |
| RF Input Power, CW, 50 Ω, T=25 °C | +27 dBm |
| Device Voltage (V _{CC}) | +5.2 V |

Exceeding any one or a combination of the Absolute Maximum Rating conditions may cause permanent damage to the device. Extended application of Absolute Maximum Rating conditions to the device may reduce device reliability.

Recommended Operating Conditions

| Parameter | Min | Typ | Max | Units |
|--|-----|-----|------|-------|
| T _{CASE} | -40 | | +85 | °C |
| T _j for >10 ⁶ hours MTTF | | | +170 | °C |

Electrical specifications are measured under bias, signal and temperature conditions as specified. Specifications are not guaranteed over all recommended operating conditions.

Electrical Specifications

| Parameter | Conditions | Min | Typ | Max | Units |
|-------------------------------------|---|-------|-------|------|--------|
| Operational Frequency Range | | DC | | 6000 | MHz |
| Test Frequency | | | 1900 | | MHz |
| Gain | | 13.5 | 15 | 16.5 | dB |
| Input Return Loss | | | 20.1 | | dB |
| Output Return Loss | | | 17.8 | | dB |
| Output P1dB | | | +14.4 | | dBm |
| Output IP3 | P _{out} =0 dBm/tone, Δf= 1 MHz | +26.0 | +29.5 | | dBm |
| Noise Figure | | | 3.6 | | dB |
| Device Voltage, V _{CC} | | 3.0 | 3.9 | 4.5 | V |
| Device Current, I _{CC} | | | 45 | | mA |
| Thermal Resistance, θ _{Jc} | Junction to case | | | 128 | °C / W |

Notes:

1. Test conditions unless otherwise noted: I_{CC}= 45 mA, T_{CASE}= +25°C, 50Ω system
2. Thermal path is from the device junction through the package ground tab (pins 2 & 4) to the backside mounting surface.

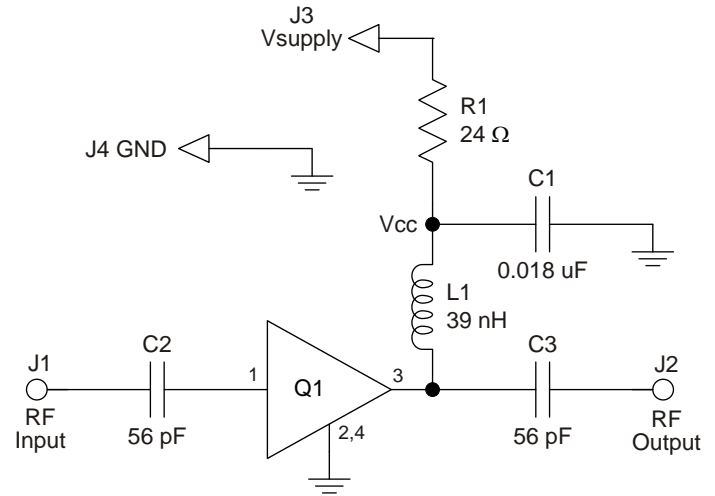
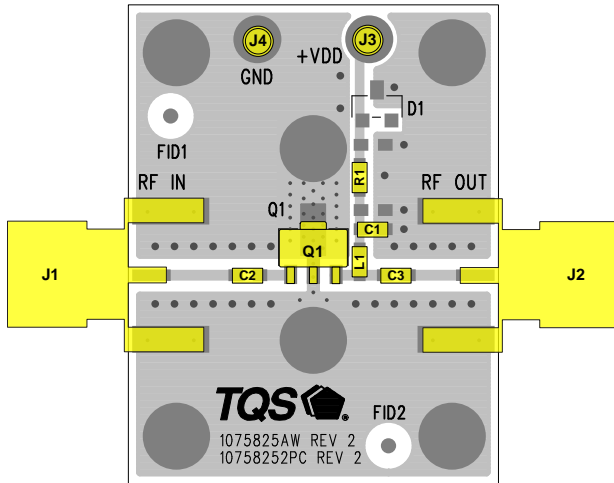
S-Parameters

| Freq (MHz) | S11 (dB) | S11 (ang) | S21 (dB) | S21 (ang) | S12 (dB) | S12 (ang) | S22 (dB) | S22 (ang) |
|------------|----------|-----------|----------|-----------|----------|-----------|----------|-----------|
| 10 | -28.1 | -178.4 | 16.1 | 179.8 | -19.0 | 0.5 | -38.9 | 46.0 |
| 20 | -27.6 | -176.2 | 16.1 | 179.4 | -19.0 | -0.2 | -40.4 | 34.7 |
| 50 | -27.4 | -178.9 | 16.1 | 178.9 | -18.9 | -0.7 | -40.9 | 0.7 |
| 100 | -27.1 | 176.6 | 16.1 | 176.5 | -18.9 | -1.6 | -44.0 | 4.6 |
| 200 | -27.5 | 175.7 | 16.1 | 172.9 | -18.9 | -3.3 | -40.9 | 13.8 |
| 500 | -28.4 | 151.7 | 16.1 | 162.9 | -19.0 | -8.4 | -45.8 | -66.1 |
| 900 | -26.4 | 148.6 | 15.9 | 149.1 | -19.0 | -15.6 | -42.0 | -131.5 |
| 1000 | -25.9 | 139.6 | 15.9 | 145.6 | -19.0 | -17.2 | -36.4 | -158.2 |
| 1500 | -24.2 | 135.2 | 15.8 | 128.4 | -19.1 | -25.8 | -28.6 | 176.7 |
| 2000 | -22.8 | 116.2 | 15.7 | 114.9 | -19.1 | -32.9 | -24.4 | 164.8 |
| 2500 | -21.5 | 109.8 | 15.7 | 111.7 | -19.2 | -34.9 | -23.9 | 168.4 |
| 3000 | -19.3 | 104.3 | 15.6 | 94.6 | -19.3 | -42.8 | -20.6 | 139.2 |
| 3500 | -18.6 | 93.7 | 15.4 | 78.3 | -19.5 | -51.7 | -17.4 | 130.9 |
| 4000 | -18.1 | 76.1 | 15.2 | 61.8 | -19.8 | -61.0 | -16.2 | 125.1 |
| 4500 | -16.4 | 76.9 | 15.1 | 44.9 | -19.9 | -68.8 | -14.4 | 109.0 |
| 5000 | -15.7 | 65.7 | 14.8 | 28.2 | -20.3 | -78.5 | -13.3 | 99.6 |
| 5500 | -16.2 | 67.4 | 14.6 | 11.9 | -20.4 | -86.8 | -12.9 | 91.7 |
| 6000 | -17.6 | 62.5 | 14.5 | -5.0 | -21.0 | -94.9 | -11.6 | 85.0 |

Notes:

1. Test Conditions: $V_{CC}=+3.9$ V (typ.), $I_{CC}=45$ mA (typ.), $T=+25$ °C, 50Ω system, calibrated to device leads

TQP369180-PCB Evaluation Board



Notes:

1. See Evaluation Board PCB Information section for material and stack-up.
2. All components are of 0603 size unless otherwise stated.

Bill of Material – TQP369180-PCB

| Reference Des. | Value | Description | Manuf. | Part Number |
|----------------|----------|--------------------------------|-----------|---------------|
| Q1 | n/a | High Linearity LNA Gain Block | Qorvo | TQP369180 |
| C1 | 0.018 uF | Cap, Chip, 0603, 16V, X7R, 10% | various | |
| C2, C3 | 56 pF | Cap, Chip, 0603, 50V, NPO, 5% | various | |
| L1 | 39 nH | Inductor, 0603, 5%, CS Series | Coilcraft | 0603CS-39NXJL |
| R1 | 24 Ω | Res, Chip, 0805, 1/10W, 5% | various | |

Component Values for Specific Frequencies

| Frequency (MHz) | 50 | 500 | 900 | 1900 | 2200 | 2500 | 3500 |
|-----------------|---------|---------|--------|-------|-------|-------|-------|
| L1 | 820 nH | 220 nH | 68 nH | 27 nH | 22 nH | 18 nH | 15 nH |
| C2, C3 | .018 uF | 1000 pF | 100 pF | 68 pF | 68 pF | 56 pF | 39 pF |

Bias Resistor Values for Various Supply Voltages

| V _{SUPPLY} (V) | 5 | 6 | 7 | 8 | 9 | 10 | 12 |
|-------------------------|------|------|------|------|-------|-------|-------|
| R1 | 24 Ω | 47 Ω | 68 Ω | 91 Ω | 110 Ω | 130 Ω | 180 Ω |
| Component Size | 0805 | 1206 | 1210 | 1210 | 1210 | 2010 | 2010 |

Typical Performance – TQP369180-PCB

Test conditions unless otherwise noted: $V_{SUPPLY} = +5\text{ V}$, $R_1 = 24\ \Omega$, $I_{CC} = 45\text{ mA}$, $T_{CASE} = +25^\circ\text{C}$

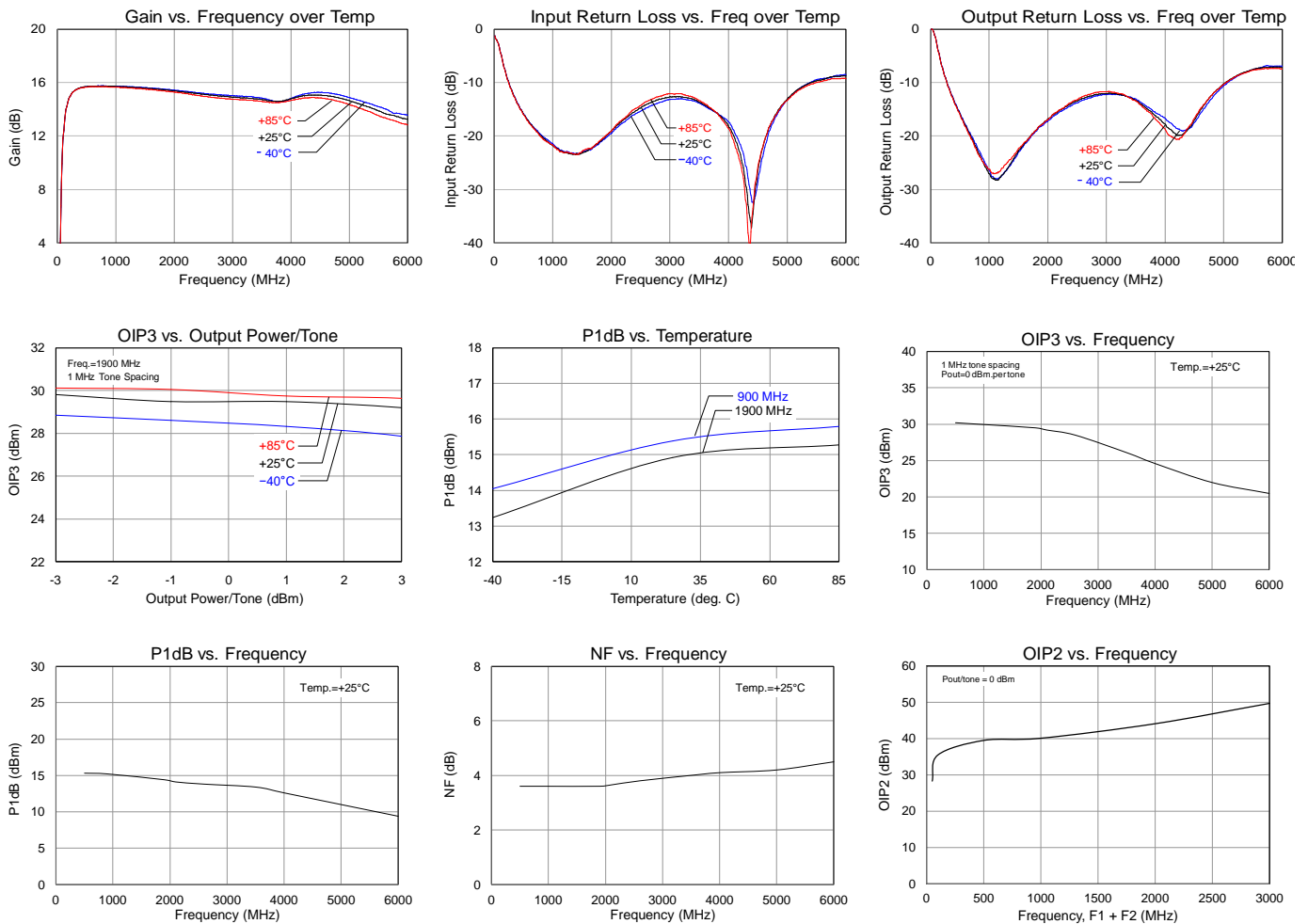
| Parameter | Typical Value | | | | | | | | | | Units |
|--------------------|---------------|-------|-------|-------|-------|-------|-------|-------|-------|--|-------|
| Frequency | 500 | 900 | 1900 | 2100 | 2600 | 3500 | 4000 | 5000 | 6000 | | MHz |
| Gain | 15.7 | 15.5 | 15.0 | 14.9 | 14.8 | 15.2 | 15.1 | 14.6 | 14.2 | | dB |
| Input Return Loss | -15.8 | -20.9 | -20.1 | -18.0 | -14.1 | -18.1 | -16.4 | -16.2 | -15.9 | | dB |
| Output Return Loss | -15.9 | -25.0 | -17.8 | -15.9 | -12.9 | -16.2 | -14.4 | -12.9 | -11.1 | | dB |
| Output P1dB | +15.3 | +15.2 | +14.4 | +14.1 | +13.8 | 13.75 | 12.6 | 11 | 9.4 | | dBm |
| OIP3 | +30.2 | +29.8 | +29.5 | +28.1 | +26.8 | 26.1 | 24.6 | 22 | 20.5 | | dBm |
| Noise Figure | 3.6 | 3.6 | 3.6 | 3.7 | 3.8 | 4 | 4.1 | 4.2 | 4.5 | | dB |

Notes:

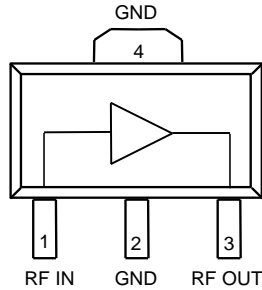
- OIP3 measured with two tones at an output power of 0 dBm / tone separated by 1 MHz.

Performance Plots – TQP369180-PCB

Test conditions unless otherwise noted: $V_{SUPPLY} = +5\text{ V}$, $R_1 = 24\ \Omega$, $I_{CC} = 45\text{ mA}$, $T_{CASE} = +25^\circ\text{C}$



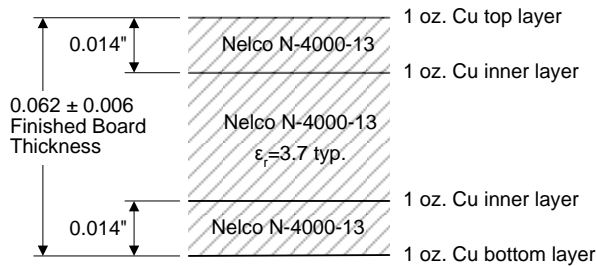
Pin Configuration and Description



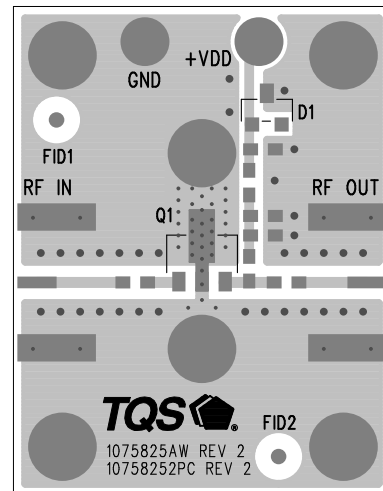
| Pin No. | Label | Description |
|-----------------------|------------|--|
| 1 | RF IN | RF Input, matched to 50 ohms. External DC Block is required. |
| 3 | RFOUT | RF output / DC supply, matched to 50 ohms. External DC Block, bias choke, and dropping resistor is required. |
| 2, 4, Backside Paddle | GND Paddle | RF/DC ground. Use recommended via pattern to minimize inductance and thermal resistance. See PCB Mounting Pattern for suggested footprint. |

Applications Information

Qorvo PCB 1075825 Material and Stack-up

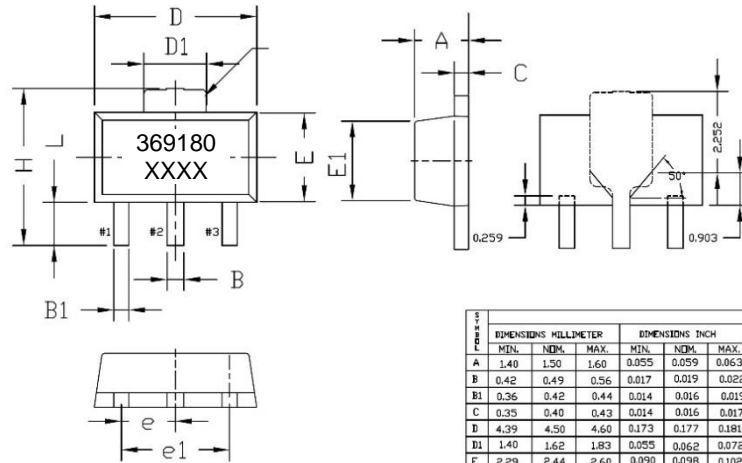


50 Ohm Line Dimensions: Width=0.028"
Spacing=0.028"



Package Marking and Dimensions

Marking: Part number – 369180
Lot code – XXXX

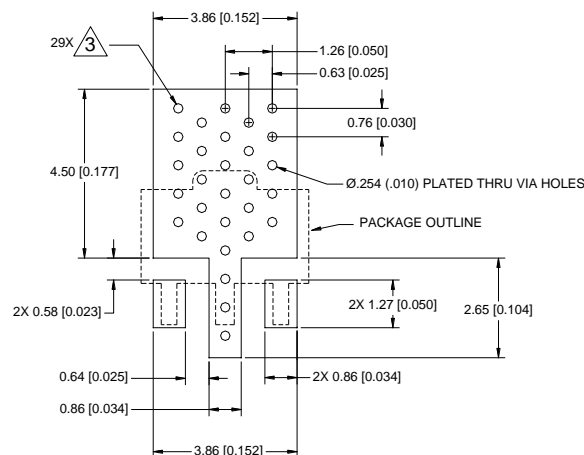


| | DIMENSIONS MILLIMETER | | | DIMENSIONS INCH | | |
|----|-----------------------|------|------|-----------------|-------|-------|
| | MIN. | NOM. | MAX. | MIN. | NOM. | MAX. |
| A | 1.40 | 1.50 | 1.60 | 0.055 | 0.059 | 0.063 |
| B | 0.42 | 0.49 | 0.56 | 0.017 | 0.019 | 0.022 |
| B1 | 0.36 | 0.42 | 0.44 | 0.014 | 0.016 | 0.019 |
| C | 0.35 | 0.40 | 0.43 | 0.014 | 0.016 | 0.017 |
| D | 4.39 | 4.50 | 4.60 | 0.173 | 0.177 | 0.181 |
| D1 | 1.40 | 1.62 | 1.83 | 0.055 | 0.062 | 0.072 |
| E | 2.29 | 2.44 | 2.60 | 0.090 | 0.098 | 0.102 |
| E1 | 1.77 | 2.03 | 2.29 | 0.070 | 0.074 | 0.090 |
| e | 1.50 BSC | | | 0.059 BSC | | |
| e1 | 3.00 BSC | | | 0.118 BSC | | |
| H | 3.84 | 4.04 | 4.25 | 0.151 | 0.155 | 0.167 |
| L | 0.74 | 0.97 | 1.20 | 0.029 | 0.041 | 0.047 |

Notes:

1. All dimensions are in millimeters. Angles are in degrees.
2. Dimension and tolerance formats conform to ASME Y14.4M-1994.
3. The terminal #1 identifier and terminal numbering conform to JESD 95-1 SPP-012.
4. Contact plating: NiPdAu

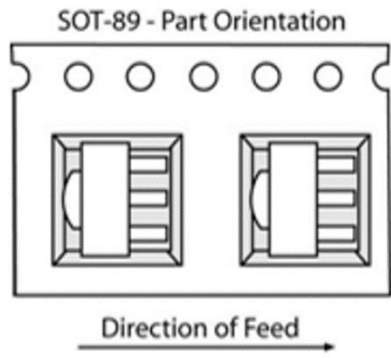
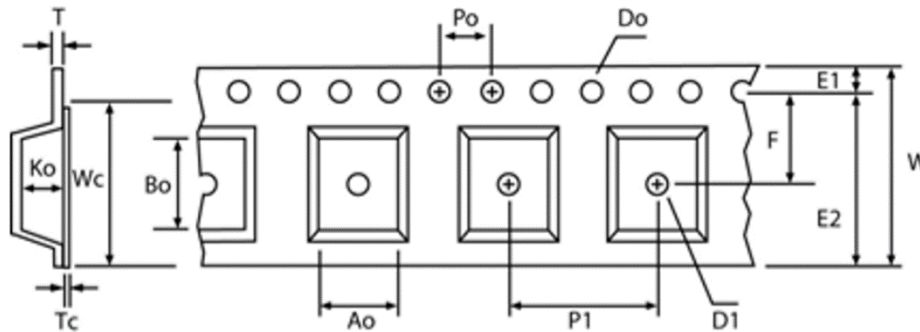
PCB Mounting Pattern



Notes:

1. All dimensions are in millimeters. Angles are in degrees.
2. Use 1 oz. copper minimum for top and bottom layer metal.
3. Vias are required under the backside paddle of this device for proper RF/DC grounding and thermal dissipation.
4. Do not remove or minimize via hole structure in the PCB. Thermal and RF grounding is critical.
5. We recommend a 0.35mm (#80/.0135") diameter bit for drilling via holes and a final plated thru diameter of 0.25 mm (0.01").
6. Ensure good package backside paddle solder attach for reliable operation and best electrical performance.

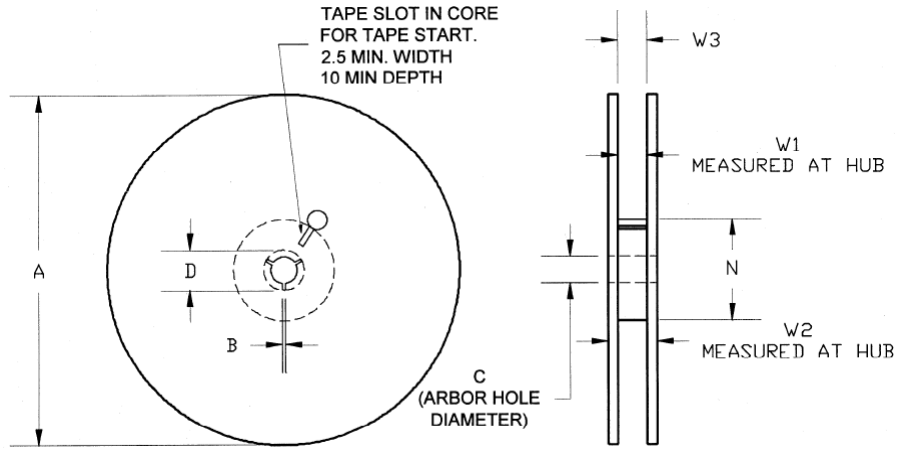
Tape and Reel Information – Carrier and Cover Tape Dimensions



| Feature | Measure | Symbol | Size (in) | Size (mm) |
|---------------------|--|--------|-----------|-----------|
| Cavity | Length | A0 | 0.181 | 4.60 |
| | Width | B0 | 0.193 | 4.90 |
| | Depth | K0 | 0.075 | 1.90 |
| | Pitch | P1 | 0.315 | 8.00 |
| Centerline Distance | Cavity to Perforation - Length Direction | P2 | 0.079 | 2.00 |
| | Cavity to Perforation - Width Direction | F | 0.217 | 5.50 |
| Cover Tape | Width | C | 0.362 | 9.20 |
| Carrier Tape | Width | W | 0.472 | 12.0 |

Tape and Reel Information – Reel Dimensions

Standard T/R size = 2,500 pieces on a 13" reel.



| Feature | Measure | Symbol | Size (in) | Size (mm) |
|---------|----------------------|--------|-----------|-----------|
| Flange | Diameter | A | 6.969 | 170.0 |
| | Thickness | W2 | 0.717 | 18.2 |
| | Space Between Flange | W1 | 0.504 | 12.8 |
| Hub | Outer Diameter | N | 2.283 | 58.0 |
| | Arbor Hole Diameter | C | 0.512 | 13.0 |
| | Key Slit Width | B | 0.079 | 2.0 |
| | Key Slit Diameter | D | 0.787 | 20.0 |

Tape and Reel Information – Tape Length and Label Placement



- Notes:
1. Empty part cavities at the trailing and leading ends are sealed with cover tape. See EIA 481-1-A.
 2. Labels are placed on the flange opposite the sprockets in the carrier tape.

Handling Precautions

| Parameter | Rating | Standard |
|----------------------------------|----------|----------------------------|
| ESD – Human Body Model (HBM) | Class 1C | JEDEC Standard JESD22-A114 |
| ESD – Charged Device Model (CDM) | Class C3 | JEDEC Standard JESD22-C101 |
| MSL – Moisture Sensitivity Level | Level 3 | IPC/JEDEC J-STD-020 |



Caution!
ESD-Sensitive Device

Solderability

Compatible with both lead-free (260°C max. reflow temp.) and tin/lead (245°C max. reflow temp.) soldering processes. Solder profiles available upon request.

Contact plating: NiPdAu

RoHS Compliance

This part is compliant with 2011/65/EU RoHS directive (Restrictions on the Use of Certain Hazardous Substances in Electrical and Electronic Equipment) as amended by Directive 2015/863/EU.

This product also has the following attributes:

- Lead Free
- Halogen Free (Chlorine, Bromine)
- Antimony Free
- TBBP-A (C₁₅H₁₂Br₄O₂) Free
- PFOS Free
- SVHC Free



Contact Information

For the latest specifications, additional product information, worldwide sales and distribution locations:

Web: www.qorvo.com

Tel: 1-844-890-8163

Email: customer.support@qorvo.com

Important Notice

The information contained herein is believed to be reliable; however, Qorvo makes no warranties regarding the information contained herein and assumes no responsibility or liability whatsoever for the use of the information contained herein. All information contained herein is subject to change without notice. Customers should obtain and verify the latest relevant information before placing orders for Qorvo products. The information contained herein or any use of such information does not grant, explicitly or implicitly, to any party any patent rights, licenses, or any other intellectual property rights, whether with regard to such information itself or anything described by such information. **THIS INFORMATION DOES NOT CONSTITUTE A WARRANTY WITH RESPECT TO THE PRODUCTS DESCRIBED HEREIN, AND QORVO HEREBY DISCLAIMS ANY AND ALL WARRANTIES WITH RESPECT TO SUCH PRODUCTS WHETHER EXPRESS OR IMPLIED BY LAW, COURSE OF DEALING, COURSE OF PERFORMANCE, USAGE OF TRADE OR OTHERWISE, INCLUDING THE IMPLIED WARRANTIES OF MERCHANTABILITY AND FITNESS FOR A PARTICULAR PURPOSE.**

Without limiting the generality of the foregoing, Qorvo products are not warranted or authorized for use as critical components in medical, life-saving, or life-sustaining applications, or other applications where a failure would reasonably be expected to cause severe personal injury or death.

Copyright 2021 © Qorvo, Inc. | Qorvo is a registered trademark of Qorvo, Inc.