

## SPECIFICATION FOR APPROVAL

ITEM : 2.5" TFT LCD Module  
MODEL NO : BS250UEV

CUSTOMER :

DATE : JAN 27, 2004

NO : BSEC040127-01

DESCRIBED	CHECKED	APPROVED

## **CONTENTS**

<b>1. GENERAL FEATURES -----</b>	<b>PAGE 3</b>
<b>2. SPECIFICATIONS -----</b>	<b>PAGE 4</b>
<b>3. DIMENSIONS -----</b>	<b>PAGE 5</b>
<b>4. BLOCK DIAGRAM -----</b>	<b>PAGE 6</b>
<b>5. CONNECTION DIAGRAM -----</b>	<b>PAGE 7</b>
<b>6. WIRE DIAGRAM -----</b>	<b>PAGE 8</b>
<b>7. DATA SHEETS FOR MAIN COMPONENTS -----</b>	<b>PAGE 9</b>

## **1. GENERAL FEATURES**

### FEATURES

- 1-1. ACTIVE MATRIX COLOR TFT LCD MODULE
- 1-2. COMPACT SIZE (DIAGONAL 2.5 INCH)
- 1-3. LOW POWER CONSUMPTION
- 1-4. BEST QUALITY IMAGE
- 1-5. COMPOSITE REGULATED & R.G.B VIDEO INPUT SIGNAL

### APPLICATIONS

- 2-1. COLOR VIDEO DOOR ENTRY SYSTEM
- 2-2. CCTV MONITOR
- 2-3. CAR REAR VIEW MONITOR
- 2-4. SURVEILLANCE SYSTEM

## 2. SPECIFICATIONS

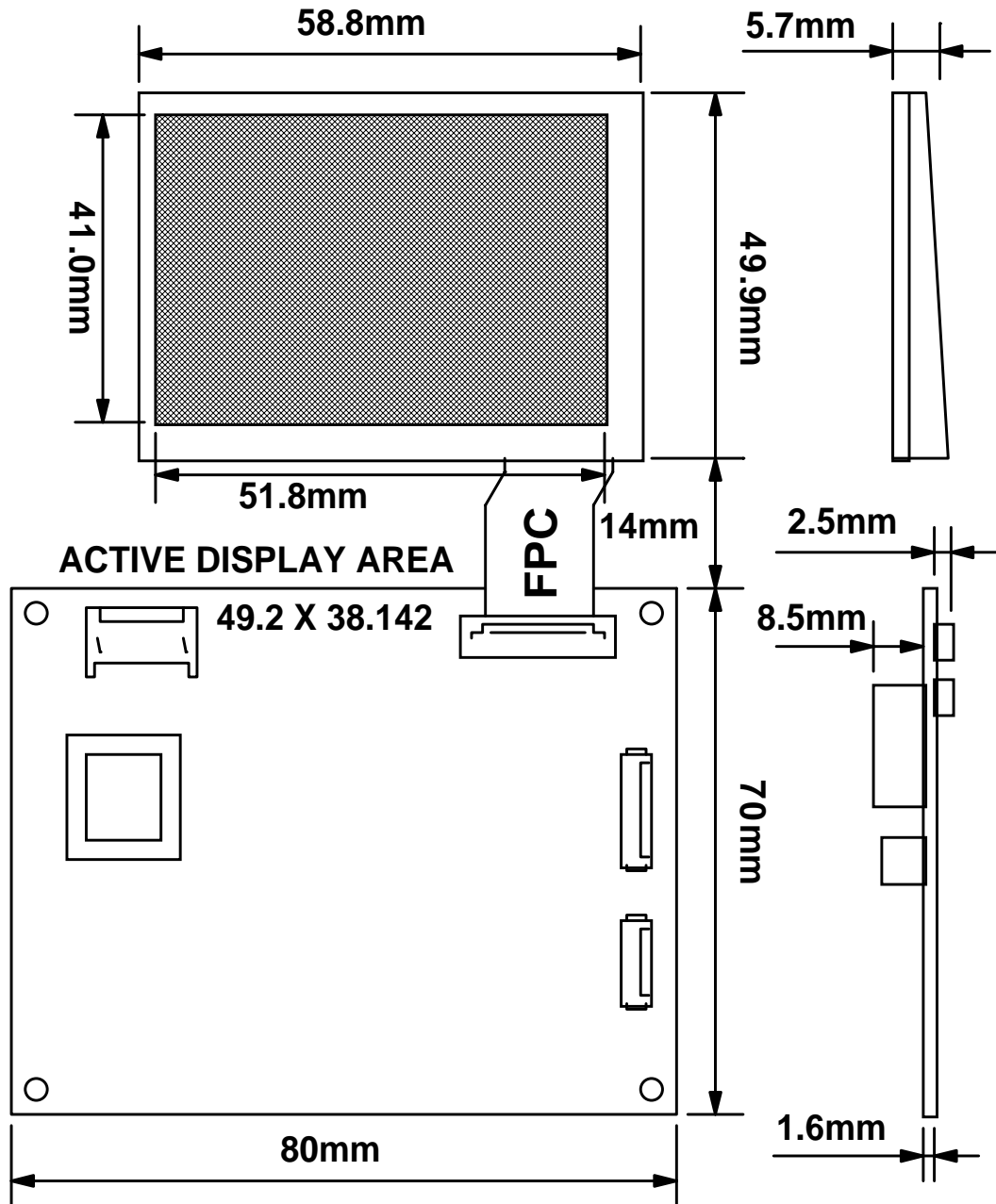
1	DISPLAY SIZE	DIAGONAL 2.5 INCH	REMARK
2	DOT PITCH	0.1025(W) * 0.163(H)	
3	DOT FORMAT	480(W) * 234(H)	
4	PIXELS ARRANGEMENT	RGB DELTA CONFIGURATION	
5	DISPLAY METHOD	TFT ACTIVE MATRIX SYSTEM	
6	INPUT SIGNAL	PAL/NTSC (OPTION)	
7	INPUT SIGNAL LEVEL	1.3Vp-p, 120 Ohm	NOTE 3
8	VIEWING ANGLE	TOP : 10 DEG BOTTOM : 30 DEG LEFT & LIGHT : 45 DEG	NOTE 1
9	BRIGHTNESS	TYP. 230(cd)	
10	OPERATING TEMPERATURE	0 ~ 60 95%RH	
11	STORAGE TEMPERATURE	-25 ~ 80 95%RH	
12	INPUT VOLTAGE	DC12V±5%, 360mA±10%	
13	DIMENSION	58.8(W) * 49.9(H) * 5.7(D)	NOTE 2
14	WEIGHT	APPX. 60(g)	

NOTE 1. REFER TO THE ATTACHED PANEL SPEC UP025D11-2.

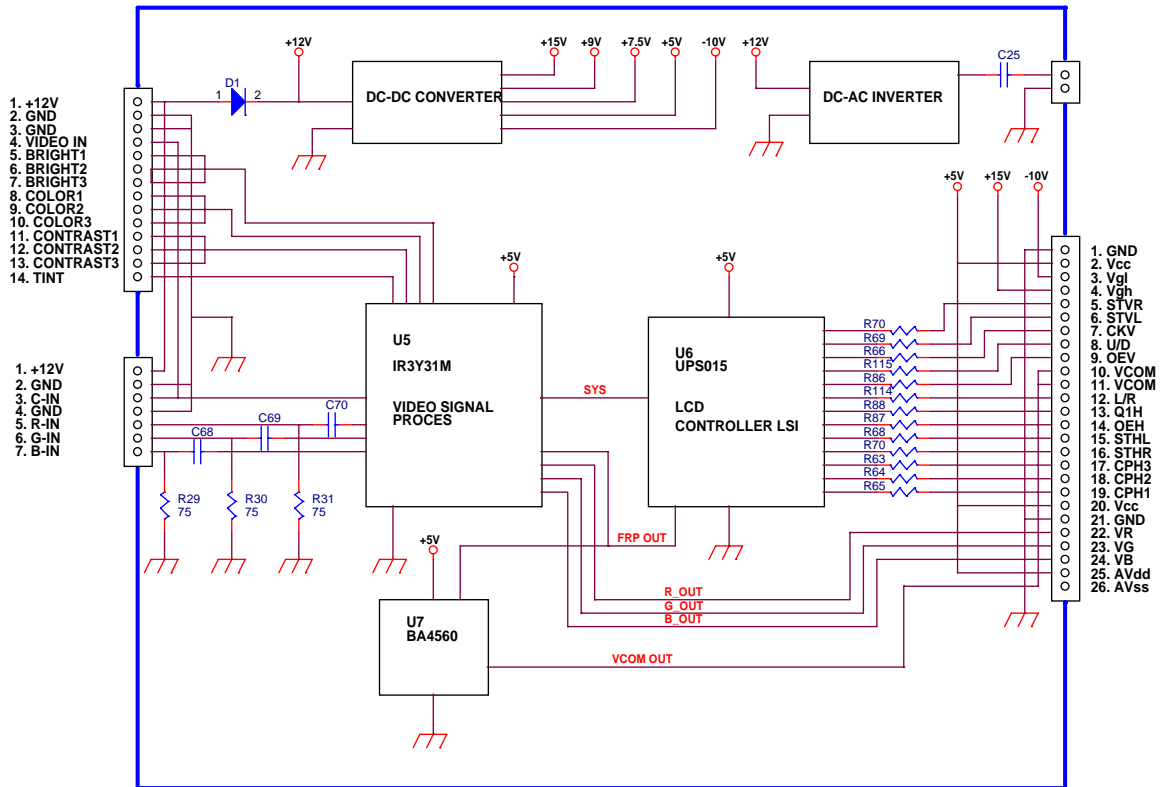
NOTE 2. THE DIMENSIONS ARE WITHOUT DRIVE BOARD.

NOTE 3. LOCATION OF THE RESISTOR: R49.

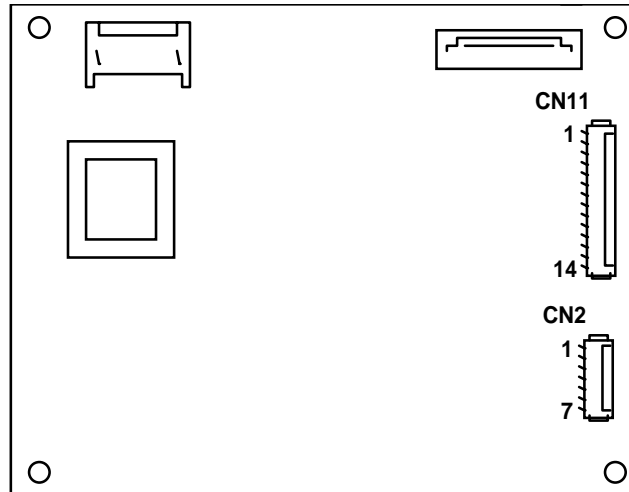
### 3. DEMENSIONS



## 4. BLOCK DIAGRAM

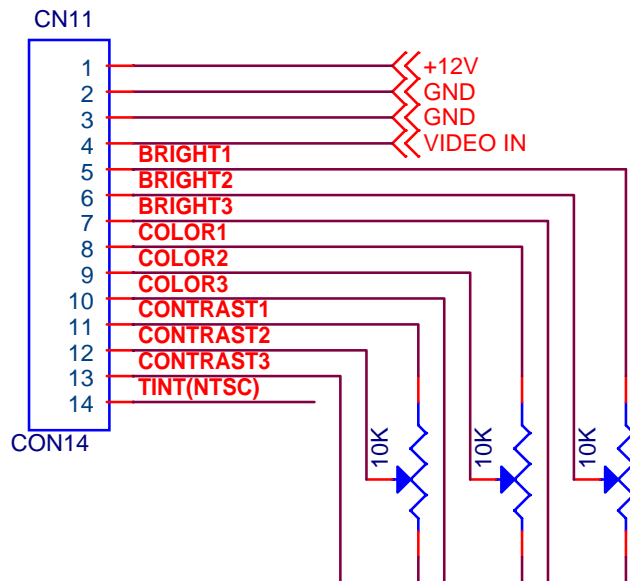


## 5.CONNECTION DIAGRAM



### A TYPE - OUTSIDE VOLUME CONTROL

- (CN11)
1. BRIGHT
  2. COLOR
  3. CONTRAST
  4. TINT - NTSC ONLY



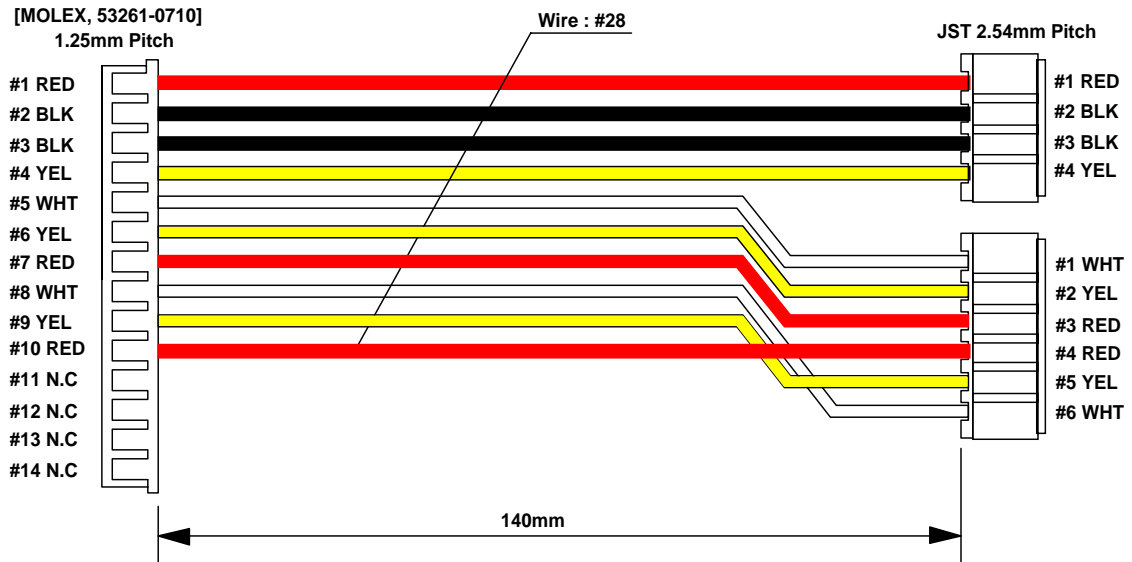
### B TYPE - R.G.B ENTRY

(CN2)



## 6. WIRE DIAGRAM

MODEL No.:BS400UEV WIRE



## **7. DATA SHEETS FOR MAIN COMPONENTS**

6-1. LCD PANEL: UP025D11-2